

PRODUCT INFORMATION PACKET

Model No: 056C17D5346
Catalog No: X603
3/4,1725,DP,56,1/60/115/208-230
Other Purpose



Regal and Marathon are trademarks of Regal Beloit Corporation or one of its affiliated companies.
©2019 Regal Beloit Corporation, All Rights Reserved. MC017097E





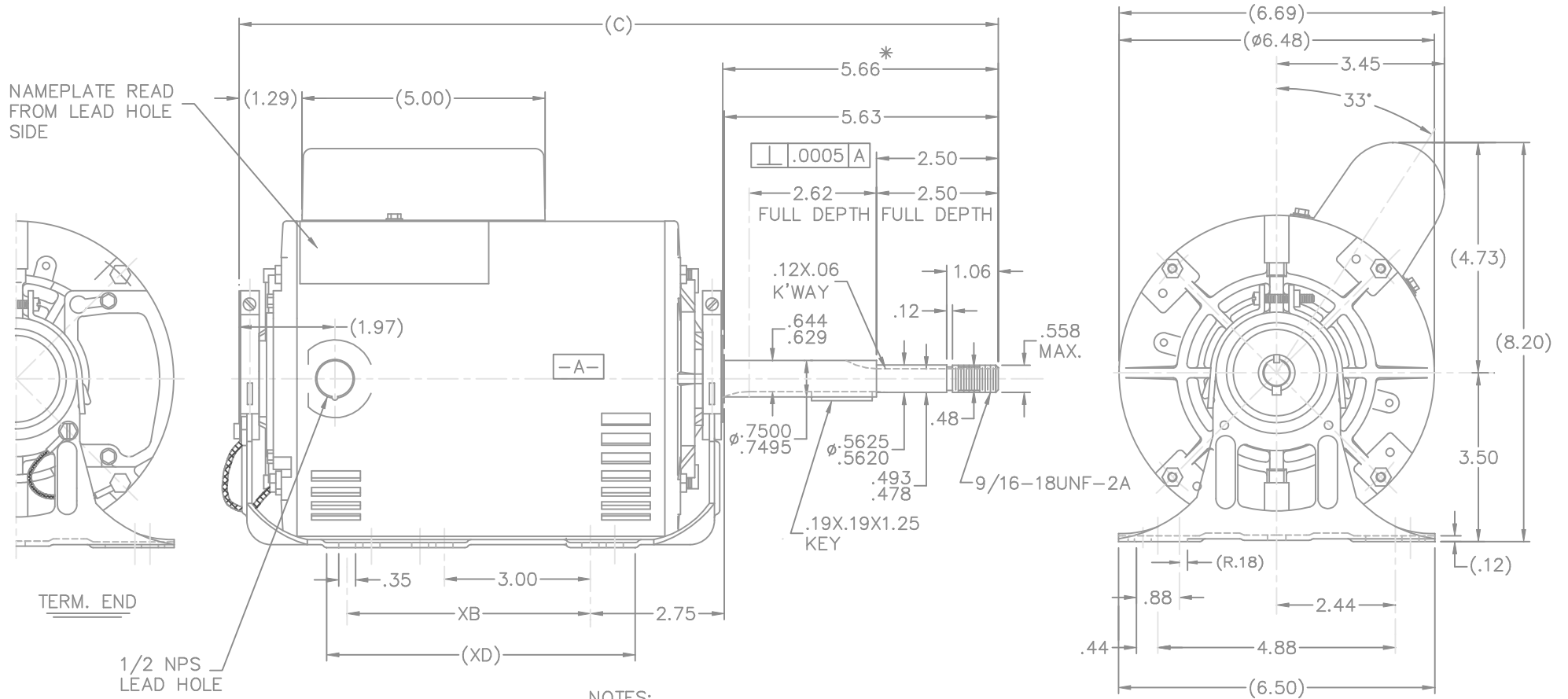
Nameplate Specifications

Output HP	0.75 Hp	Output KW	0.56 kW
Frequency	60 Hz	Voltage	115/208-230 V
Current	12.0/5.8-6.0 A	Speed	1725 rpm
Service Factor	1.25	Phase	1
Efficiency	66 %	Duty	Continous
Insulation Class	B	Design Code	NO DESIGN CODE
KVA Code	K	Frame	56
Enclosure	Drip Proof	Overload Protector	Automatic
Ambient Temperature	40 °C	Drive End Bearing Size	6205
Opp Drive End Bearing Size	6205	UL	Recognized
CSA	Y	CE	Y
IP Code	12		

Technical Specifications

Electrical Type	Capacitor Start Induction Run	Starting Method	Across The Line
Poles	4	Rotation	Fixed Counterclockwise
Mounting	Resilient Base	Motor Orientation	Horizontal
Drive End Bearing	Ball	Opp Drive End Bearing	Ball
Frame Material	Rolled Steel	Shaft Type	Single Special Extension
Overall Length	15.10 in	Frame Length	7.06 in
Shaft Diameter	0.625 in	Shaft Extension	5.66 in
Assembly/Box Mounting	F1 Only		
Outline Drawing	B-100233-706	Connection Diagram	102013-1

This is an uncontrolled document once printed or downloaded and is subject to change without notice. Date Created: 03/19/2019

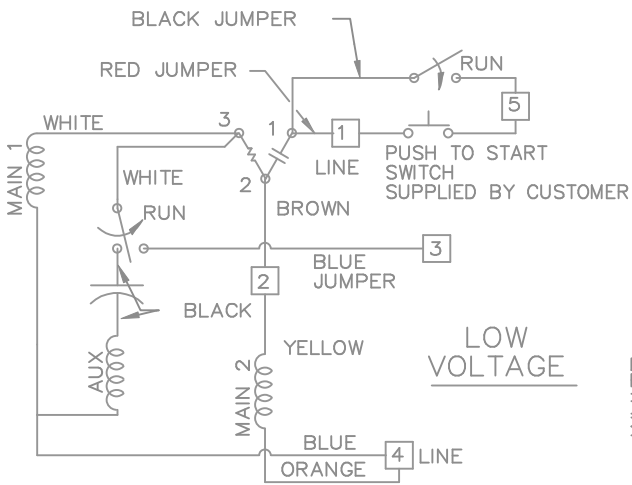


NOTES:
 1. MOTOR MUST BE ROTATED TO PROVIDE SOCKET CLEARANCE FOR GROUND SCREW, MAX. (10').

* DIM. IS FROM RESIL. RING ENDCAP TO END OF SHAFT

DASH	FR.	C	XB	XD
656	56-65	14.60	0	5.00
706	56-70	15.10	0	5.00
756	56-75	15.60	0	5.00

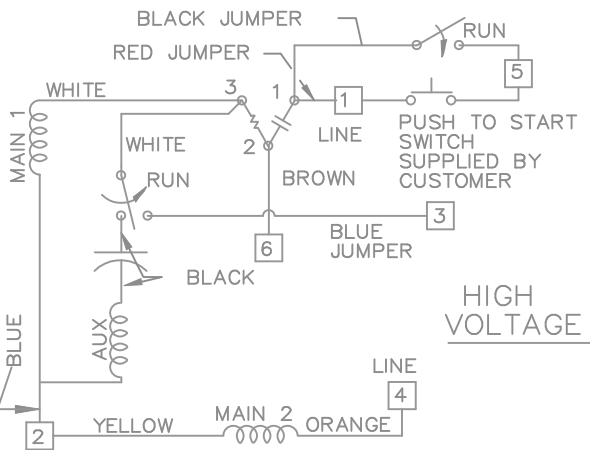
		TO TOLERANCES UNLESS SPECIFIED		MARATHON ELECTRIC		DRAWN GK 09-28-1998	
		DEC.	INCHES			CHK	ML 12-09-1991
8	UPDATED DRAWING	RJW	3/28/2007	.X	±.1	APPD	JAY 12-09-1991
7	REDRAWN IN AUTOCAD	TAT	06-13-2005	.XX	±.03	SCALE	1=2
6	UPDATED GROUND LEAD GEOMETRY CN 24830	DRS	10-11-1999	.XXX	±.005	REF	
5	ADDED NOTE CN 24378	PGK	06-06-1997	.XXXX	±.0005	FMF	
4	FRONT FRAME VENTS UPDATED CN 13866	RM	12-09-1991	CHK	ANG ±7'30"	PREV	
NO.	REVISION	BY & DATE	CHK	ANG	±7'30"	FINISH	
THIS DRAWING IN DESIGN AND DETAIL IS OUR PROPERTY AND MUST NOT BE USED EXCEPT IN CONNECTION WITH OUR WORK ALL RIGHTS OF DESIGN AND INVENTION ARE RESERVED THIS IS AN ELECTRONICALLY GENERATED DOCUMENT - DO NOT SCALE THIS PRINT				RFP	CAD FILE 100233	SIZE	DRAWING NO. PAGE OF REV.
				DIST	WP	B	100233 8



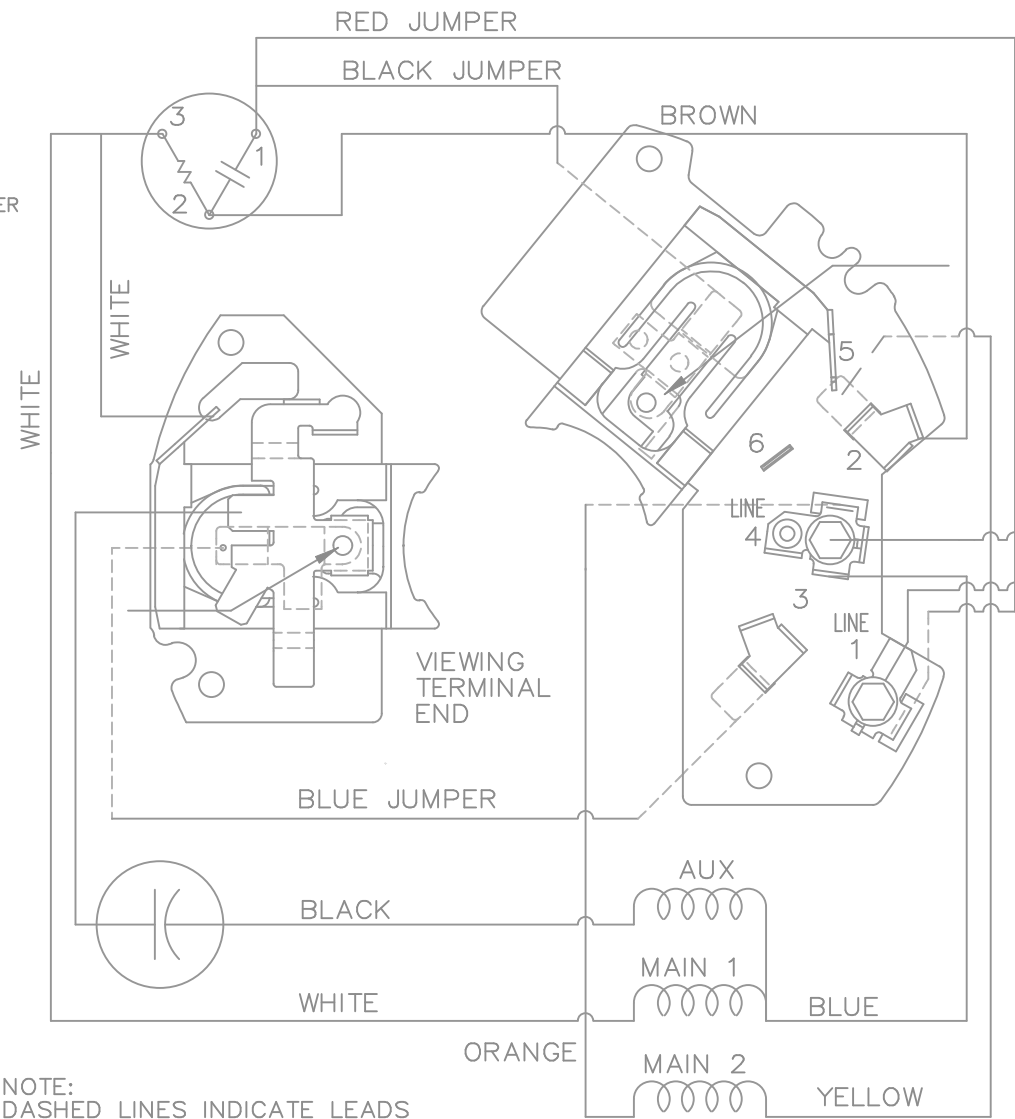
LOW VOLTAGE

AT MOTOR RUNNING CONDITION CONTACTS ARE:

- NORMALLY CLOSED BETWEEN PROTECTOR AND BLUE JUMPER
- NORMALLY OPEN BETWEEN PROTECTOR AND CAPACITOR



HIGH VOLTAGE



NOTE: DASHED LINES INDICATE LEADS CONNECTED TO MOTOR SIDE OF SWITCH

AT MOTOR RUNNING CONDITION NORMALLY CLOSED CONTACTS BETWEEN TERMINAL 5 AND BLACK JUMPER

CONN. INSTRUCTIONS

- 1) TYPE OF CONNECTION
 - DUAL VOLTAGE
 - NON REVERSIBLE
 - CCW-OPE
 - CAPACITOR START
 - OVERLOAD PROTECTOR
 - TWO RUN CONTACTS FOR CONTROL LEADS TERM. 3 AND 5
- 2) LOW VOLTAGE SHOWN
 - FOR HIGH VOLTAGE PLACE BROWN TERM 2 TO TERM 6 AND BLUE TERM 4 TO TERM 2
- 3) CAUTION
 - LINE VOLTAGE APPEARS BETWEEN TERM 4 AND TERMS 3 OR 5 WHEN MOTOR IS AT RUNNING SPEED

7	ORANGE LEAD WAS TO FRONT OF SWITCH CN 12029	BW 07-02-1990	TOLERANCES UNLESS SPECIFIED			DRAWN PR 02-24-1987	
6	ORANGE LEAD WAS TO BACK SIDE OF SWITCH CN 11133	ML 07-17-1989	DEC.	INCHES		CHK FG 02-24-1987	
5	REVISED CAUTION NOTE CN 10514	BW 01-24-1989	.X	±.1	TITLE CONNECTION DIAGRAM	APPD DRN 05-22-1987	
4	CLARIFY LOW & HIGH VOLTAGE	ML 03-28-1988	.XX	±.02	56-140 FR. - DUAL VOLTAGE CONTROL	SCALE	
3	TERM NO. 5 CLARIFIED	GK 09-03-1987	.XXX	±.005	MAT'L.	REF	
2	RED WAS ORANGE, WHITE WAS BLACK CN 8419	DP 05-27-1987	.XXXX	±.0005	FINISH	FMF	
NO.	REVISION	BY & DATE	CHK	ANG		PREV	
THIS DRAWING IN DESIGN AND DETAIL IS OUR PROPERTY AND MUST NOT BE USED EXCEPT IN CONNECTION WITH OUR WORK ALL RIGHTS OF DESIGN AND INVENTION ARE RESERVED THIS IS AN ELECTRONICALLY GENERATED DOCUMENT - DO NOT SCALE THIS PRINT			RFP		CAD FILE 102013-1	SIZE	DRAWING NO. PAGE OF REV.
			DIST	WP		A	102013-1 7

CERTIFICATION DATA SHEET

Model#: 56C17D5346 H **WINDING#:** ZC405 NONE 3
CONN. DIAGRAM: 102013-1 **ASSEMBLY:** F1 ONLY
OUTLINE: B-100233-706

TYPICAL MOTOR PERFORMANCE DATA

HP	KW	SYNC. RPM	F.L. RPM	FRAME	ENCLOSURE	KVA CODE	DESIGN
3/4	.56	1800	1725	56	DP	K	NO DESIGN CODE

PH	Hz	VOLTS	FL AMPS	START TYPE	DUTY	INSL	S.F	AMB°C	ELEVATION
1	60	115/208-230	12/5.8-6	ACROSS THE LINE	CONTINUOUS	B3	1.25	40	3300

FULL LOAD EFF: 66	3/4 LOAD EFF: 65.5	1/2 LOAD EFF: 58.4	GTD. EFF	ELEC. TYPE	NO LOAD AMPS
FULL LOAD PF: 65.7	3/4 LOAD PF: 54.5	1/2 LOAD PF: 43.8	0	CAP START IND RUN	9 / 4.5

F.L. TORQUE	LOCKED ROTOR AMPS	L.R. TORQUE	B.D. TORQUE	F.L. RISE°C
36.1 LB-FT	58.6 / 29.3	123 LB-FT 341	94.9 LB-FT 263	60

SOUND PRESSURE @ 3 FT.	SOUND POWER	ROTOR WK^2	MAX. WK^2	SAFE STALL TIME	STARTS /HOUR	APPROX. MOTOR WGT
0 dBA	10 dBA	0 LB-FT^2	0 LB-FT^2	0 SEC.	0	0 LBS.

*** SUPPLEMENTAL INFORMATION ***

DE BRACKET TYPE	ODE BRACKET TYPE	MOUNT TYPE	ORIENTATION	SEVERE DUTY	HAZARDOUS LOCATION	DRIP COVER	SCREENS	PAINT
STANDARD	STANDARD	RESILIENT BASE	HORIZONTAL	FALSE	NONE	FALSE	NONE	GRAY (POWDER)

BEARINGS		GREASE	SHAFT TYPE	SPECIAL DE	SPECIAL ODE	SHAFT MATERIAL	FRAME MATERIAL
DE	OPE	POLYREX EM	SGL SPL EXT	LAUNDRY MOTOR EXT WITH THREAD	NONE	1144 STRESSPROOF (C-223)	ROLLED STEEL
BALL	BALL						
6205	6205						

THERMO-PROTECTORS				THERMISTORS	CONTROL	SPACE /n HEATERS
THERMOSTATS	PROTECTORS	WDG RTDs	BRG RTDs			
NONE	AUTOMATIC	NONE	NONE	NONE	FALSE	NONE VOLTS

If Inverter equals NONE, contact factory for further information

*
N
O
T
E
S
*

INVERTER TORQUE: NONE
INV. HP SPEED RANGE: NONE
ENCODER: NONE
NONE NONE
NONE NONE PPR
BRAKE: NONE NONE
NONE P/N NONE
NONE NONE
NONE FT-LB NONE V NONE Hz

DATE: 06/21/2017 09:27:46 AM
 FORM 3531 REV.3 02/07/99
 ** Subject to change without notice.



MARATHON ELECTRIC CORPORATION
TYPICAL PERFORMANCE CURVE for AC MOTOR

Customer

Curve at

230 Volts
60 HZ
0.75 HP

HP 0.76

PHASE 1

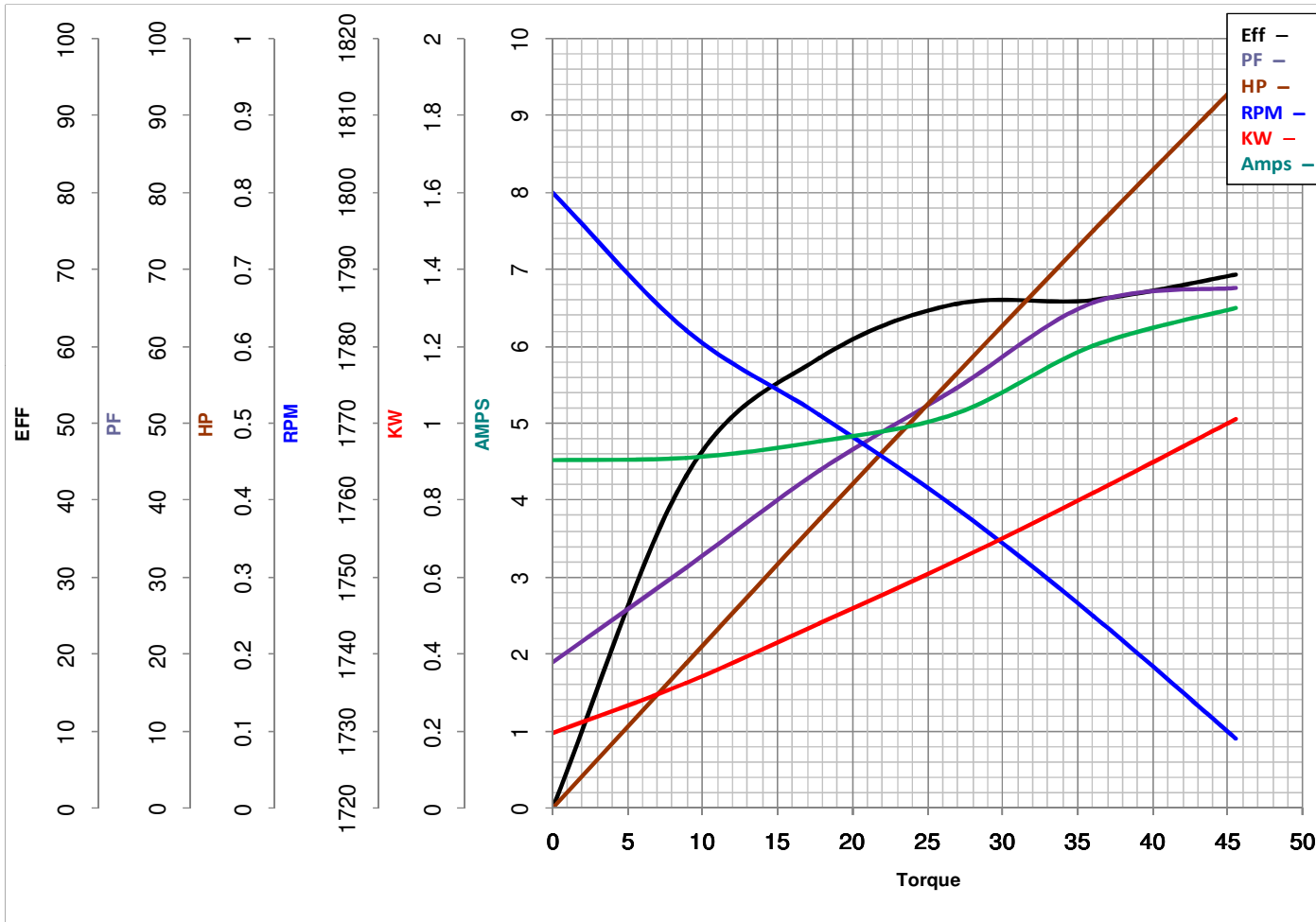
Model No 56C17D5346

VOLTS 115/208-230

Catalog No X603

HZ 60

RPM 1725



Torque in Oz.Ft

FL TORQUE 36.1 Oz.Ft
BD TORQUE 94.9 Oz.Ft
LR TORQUE 123 Oz.Ft

FL AMPS 12/5.8-6
PU TORQUE 70.3 Oz.Ft
LR AMPS 29.3

WINDING ZC405-3

Date 1/8/2019