

PRODUCT INFORMATION PACKET



Model No:
Catalog No: USTG1102A
MODEL-PFHP-48FR
Induction Motors



Regal and Century are trademarks of Regal Beloit Corporation or one of its affiliated companies.
©2019 Regal Beloit Corporation, All Rights Reserved. MC017097E





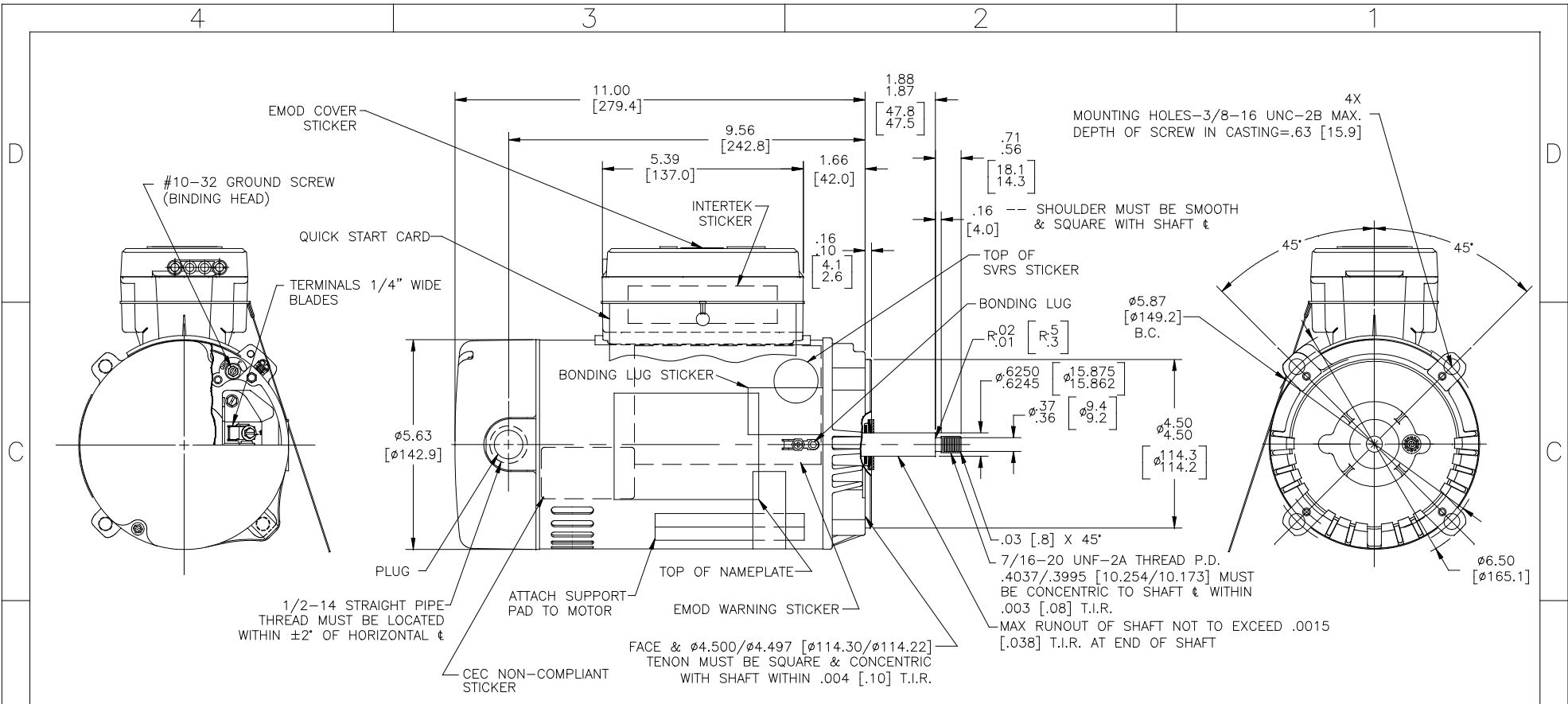
Nameplate Specifications

Output HP	1 HP	Output KW	0.75 kW
Frequency	60 Hz	Voltage	230/115 V
Current	7.5/15.0 A	Speed	3450 RPM
Service Factor	1.1	Phase	1
Duty	Continuous	Insulation Class	B
Frame	56J	Enclosure	Open Drip Proof
Overload Protector	Automatic	Ambient Temperature	50 °C
UL	Recognized	CSA	Y

Technical Specifications

Electrical Type	Cap Start Motor	Poles	2
Rotation	Counterclockwise Pump End	Mounting	C Face
Motor Orientation	Horizontal	Drive End Bearing	BALL
Opp Drive End Bearing	BALL	Frame Material	Rolled Steel
Shaft Type	Threaded	Overall Length	13.51 in
Frame Length	7.63 in	Shaft Diameter	0.625 in
Shaft Extension	2.56 in		
Outline Drawing	USTG1102A-S01	Connection Diagram	627103-006

This is an uncontrolled document once printed or downloaded and is subject to change without notice. Date Created: 10/17/2019



NAMEPLATE DATA	EXTERNAL CONNECTION DIAGRAM	NOTES
MODEL: C48AA47A01 CUST PN: USTG1102A HP: 1 SF: 1.10 ROT: CCWPE RPM: 3450 TYPE: UAC CODE: H FORM: FRAME: 56J VOLTS: 230/115 AMPS: MAX AMPS: 7.5/15.0 SF AMPS: - PH: 1 HZ: 60 INS: B AMB: 50°C DUTY: CONT ENCLOSURE: ODP THERMALLY PROTECTED	<p>⊕ GRD GREEN (GROUND) HIGH VOLTAGE SHOWN. ROTATE DIAL CCW TO 115 FOR LOW VOLTAGE. USE COPPER CONDUCTORS ONLY. INSTALL MOTOR WITH VENTS DOWN. ACCEPTABLE FOR FIELD WIRING</p>	<ol style="list-style-type: none"> FINISH PAINT TO BE SATIN BLACK. .44[11.1] WRENCH FLATS ON SHAFT—FOR ACCESS TO THIS WRENCH FLAT REMOVE END COVER. STAINLESS STEEL SHAFT EXT. LIMITS ON AMPLITUDE OF VIBRATION MEASURED AT BEARING HOUSING = .001[.03] DUAL VOLTAGE MOTORS ARE TO BE CONNECTED FOR HIGHER VOLTAGE. QUICK VOLTAGE CHANGE DIAL INCLUDED ON THE TERMINAL BOARD.

PERFORMANCE CURVE	APPROVED SAMPLE
C48K2W39	
UL COMPONENT	CSA
FILE#	CCN#
PENDING	PENDING
CUSTOMER	DIST. SERVICES

DRAWING REVISION	REVISION BY	DATE	TOLERANCES UNLESS OTHERWISE SPECIFIED	DRAWN BY:	Regal Beloit America, Inc.
D	M.RODARTE	05-01-2019	DEC. INCH mm ANGLE	JHENRY	
ECO	APPROVED BY	DATE	.XX ±0.1 [±2.5] ±0.5°	DATE:	03-24-2009
ECO-0165900			.XX ±0.02 [±0.51]	APPROVED BY:	
SEE ECO			.XXX ±0.005 [±0.127]	DATE:	
			.XXXX ±0.0005 [±0.0127]	REFERENCE:	MATERIAL
			REMOVE BURRS & BREAK SHARP EDGES .003/.015 [0.076/.381]	PROCESS/FINISH	
			CORNER FILLETS .02 [.51]	SIZE DWG NO	USTG1102A
			MACHINED SURFACES	THIRD ANGLE PROJECTION	SHEET
			mm SHOWN IN BRACKETS		1