

PRODUCT INFORMATION PACKET



Model No:
Catalog No: USQG1102A
MODEL-PFHP-48FR
Induction Motors



Regal and Century are trademarks of Regal Beloit Corporation or one of its affiliated companies.
©2019 Regal Beloit Corporation, All Rights Reserved. MC017097E





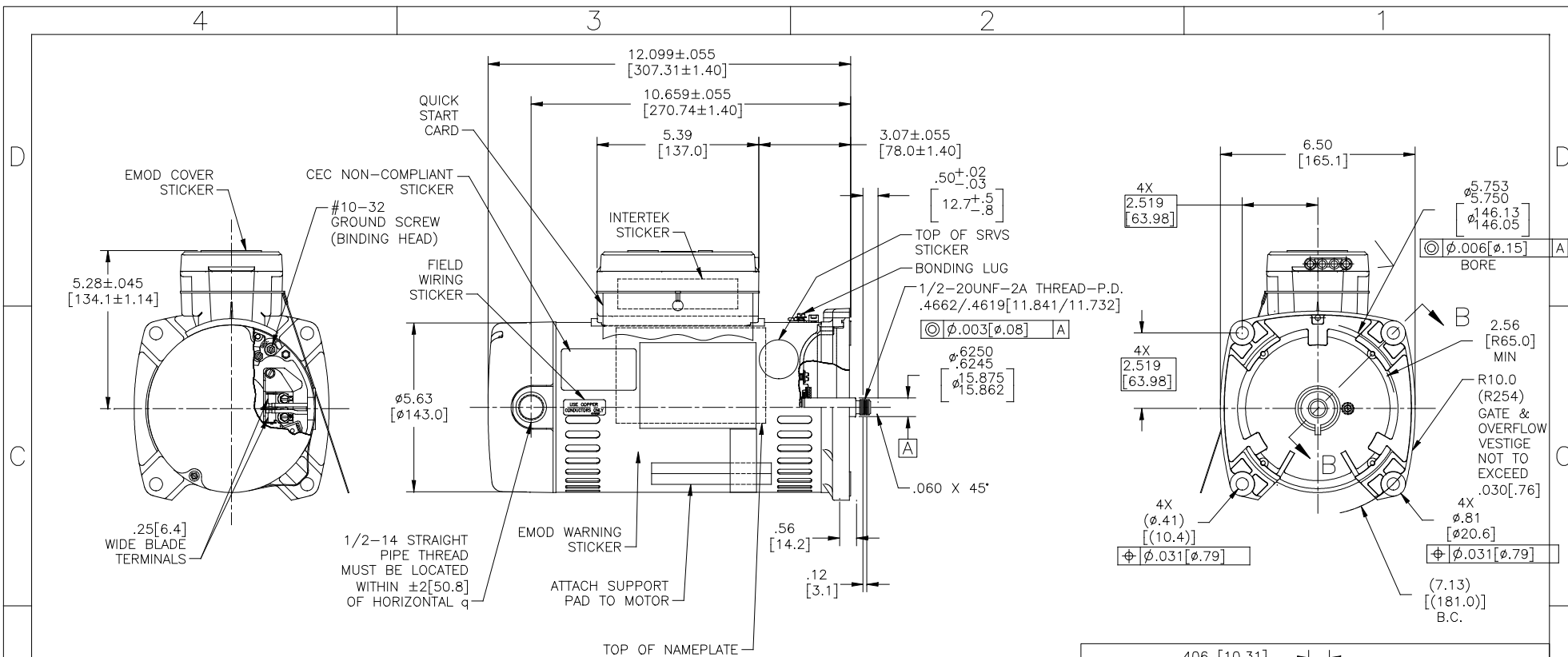
Nameplate Specifications

Output HP	1 HP	Output KW	0.75 kW
Frequency	60 Hz	Voltage	230/115 V
Current	7.4/14.8 A	Speed	3450 RPM
Service Factor	1.25	Phase	1
Duty	Continuous	Insulation Class	B
Frame	48Y	Enclosure	Open Drip Proof
Overload Protector	Automatic	Ambient Temperature	50 °C
UL	Recognized	CSA	Y

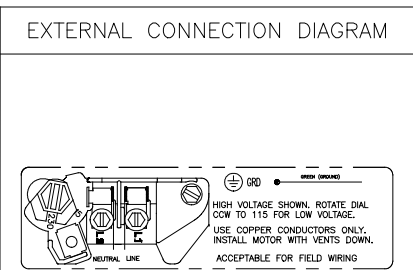
Technical Specifications

Electrical Type	Cap Start Motor	Poles	2
Rotation	Counterclockwise Pump End	Mounting	Square Flange
Motor Orientation	Horizontal	Drive End Bearing	BALL
Opp Drive End Bearing	BALL	Frame Material	Rolled Steel
Shaft Type	Threaded	Overall Length	12.82 in
Frame Length	8.94 in	Shaft Diameter	0.625 in
Shaft Extension	0.906 in		
Outline Drawing	USQG1102A-S01	Connection Diagram	627103-006

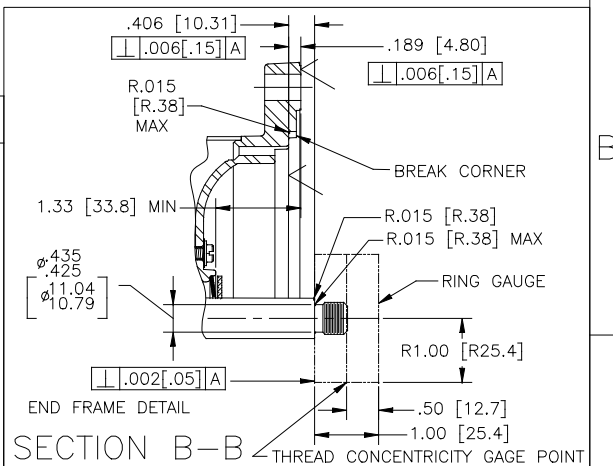
This is an uncontrolled document once printed or downloaded and is subject to change without notice. Date Created: 10/19/2019



NAMEPLATE DATA	
MODEL: C48AA42A01	CUST PN: USQG1102A
HP: 1	SF: 1.25
ROT: CCWPE	
RPM: 3450	
TYPE: UAC	CODE: K
FORM:	FRAME: 48Y
VOLTS: 230/115	
AMPS:	
MAX AMPS: 7.6/15.3	
SF AMPS:	
PH: 1	HZ: 60
INS: B	AMB: 50°C
DUTY: CONT	
ENCLOSURE: ODP	
THERMALLY PROTECTED	



- NOTES
1. FINISH PAINT TO BE SATIN BLACK.
 2. .44[11.2] WRENCH FLATS ON SHAFT—FOR ACCESS TO THIS WRENCH FLAT REMOVE END COVER.
 3. STAINLESS STEEL SHAFT EXT.
 4. LIMITS ON AMPLITUDE OF VIBRATION MEASURED AT BEARING HOUSING = .001 [.03].
 5. CONNECTED FOR 230 VOLTS. QUICK VOLTAGE CHANGE DIAL INCLUDED ON THE TERMINAL BOARD.



PERFORMANCE CURVE	APPROVED SAMPLE		
C48K2W52			
UL COMPONENT	CSA		
FILE#	CCN#	FILE#	GUIDE#
PENDING	PENDING	PENDING	PENDING
CUSTOMER	DISTRIBUTION SERVICES		

DRAWING REVISION: F ECO -0165900 SEE ECO	REVISION BY: M.RODARTE APPROVED BY: [Signature]	DATE: 05-01-2019	TOLERANCES UNLESS OTHERWISE SPECIFIED: DEC. INCH mm ANGLE X ±.01 [±2.5] ±0.5° XX ±.02 [±0.51] XXX ±0.005 [±0.127] XXXX ±0.0005 [±0.0127] REMOVE BURRS & BREAK SHARP EDGES .003/.015 [076/.381] CORNER FILLETS .02 [51] MACHINED SURFACES INCH mm THIRD ANGLE PROJECTION	DRAWN BY: J.HENRY DATE: 03-24-2009 APPROVED BY: [Signature] DATE: [Blank] REFERENCE: [Blank]	Regal Beloit America, Inc. DESCRIPTION: MODEL-PFHP-48FR OUTLINE MATERIAL: [Blank] SIZE DWG NO: USQG1102A PROCESS/FINISH: [Blank]
--	--	------------------	---	--	--