

# PRODUCT INFORMATION PACKET



Model No:  
Catalog No: ORM5484F  
1/8 HP, 825 RPM, 208-230V, 48FR, CENTURY 4-IN-1 HEATMASTER MOTOR  
Condenser Fans



Regal and Century are trademarks of Regal Beloit Corporation or one of its affiliated companies.  
©2019 Regal Beloit Corporation, All Rights Reserved. MC017097E





### Nameplate Specifications

Output HP	<b>1/8-1/15 HP</b>	Output KW	<b>0.10 kW</b>
Frequency	<b>60 Hz</b>	Voltage	<b>208-230 V</b>
Current	<b>1.0 A</b>	Speed	<b>825 RPM</b>
Service Factor	<b>1</b>	Phase	<b>1</b>
Duty	<b>Air Over</b>	Insulation Class	<b>F</b>
Frame	<b>48</b>	Enclosure	<b>Totally Enclosed</b>
Overload Protector	<b>Automatic</b>	Ambient Temperature	<b>70 °C</b>
UL	<b>Recognized</b>	CSA	<b>Y</b>
CE	<b>N</b>		

### Technical Specifications

Electrical Type	<b>Permanent Split Capacitor</b>	Starting Method	<b>Induction Run</b>
Poles	<b>8</b>	Rotation	<b>Reversible</b>
Mounting	<b>Extended Studs</b>	Motor Orientation	<b>Any</b>
Drive End Bearing	<b>Sleeve</b>	Opp Drive End Bearing	<b>Sleeve</b>
Frame Material	<b>Rolled Steel</b>	Shaft Type	<b>Double Flat</b>
Overall Length	<b>11.62 in</b>	Frame Length	<b>3.62 in</b>
Shaft Diameter	<b>0.500 in</b>	Shaft Extension	<b>6.5 in</b>
Outline Drawing	<b>ORM5484F-S01</b>	Connection Diagram	<b>614131-242</b>

This is an uncontrolled document once printed or downloaded and is subject to change without notice. Date Created: 10/17/2019

Uncontrolled Copy

GENERAL INFORMATION:

SHAFT RUNOUT: .001[.03] T.I.R. PER INCH LENGTH OF EXTENSION

END PLAY: .010 TO .063[.25 TO 1.60]

BEARINGS: SLEEVE

MOUNTING POSITION: ALL ANGLE

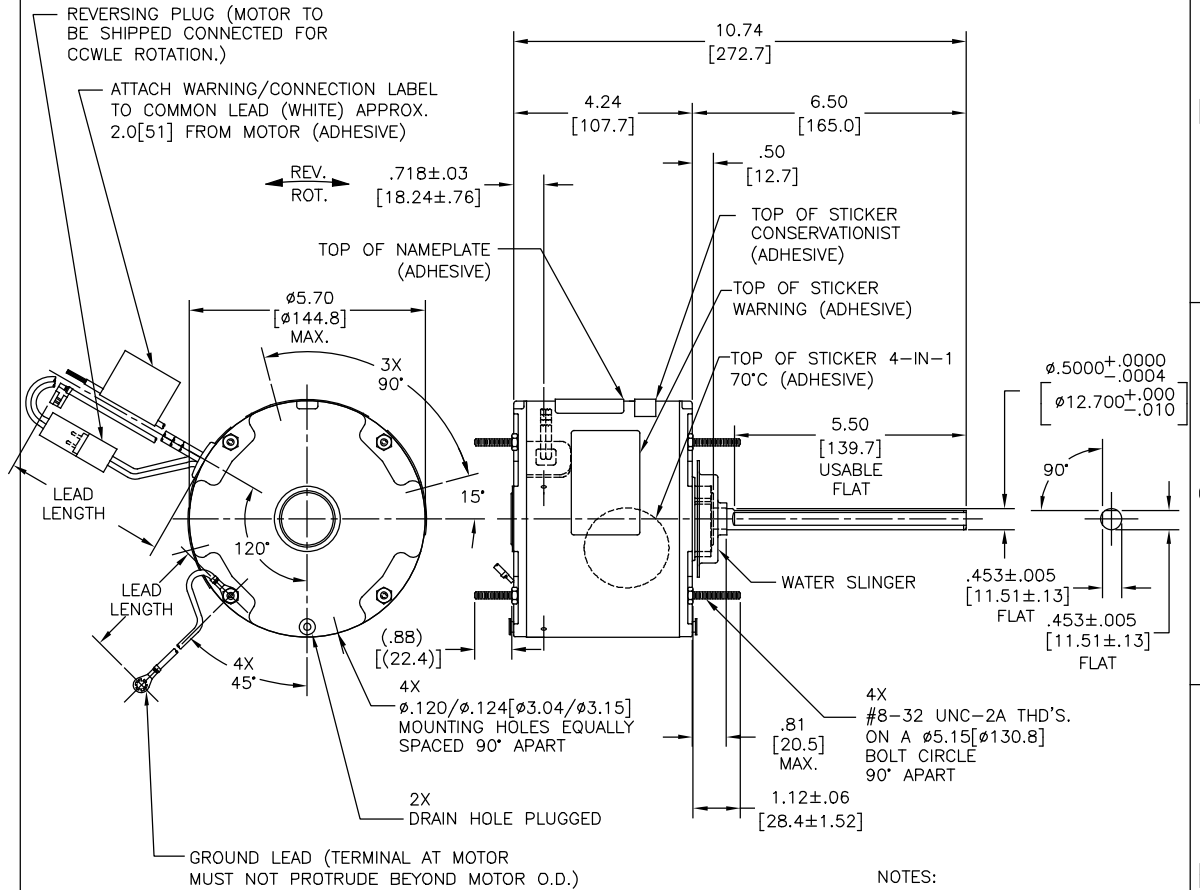
ELECTRICAL DATA:

OVERLOAD PROTECTOR: AUTOMATIC RESET (SENSATA 7AM 304)

LINE LEADS: NO. 18 GA., .06[1.5] THK. XLP 125°C INSUL.

REVERSING PLUGS: NO. 18 GA., .03[.8] THK. XLP 125°C INSUL.

GROUND LEAD: NO. 18 GA., .03[.8] THK. (GREEN) INSUL.



NAMEPLATE DATA:	EXTERNAL CONNECTION DIAGRAM
MODEL NO.: F48AB29A01 CUST. P/N: ORM5484F HP: 1/8-1/15 ROT.: REVERSIBLE RPM: 825 TYPE: UF FRAME: 48 VOLTS: 208-230 PH: 1 AMPS: 1.0 HZ: 60 INS.: F AMB.: 70°C DUTY: AIR OVER CAP.: 5 MFD/370 V ENCL: ENCLOSED UL LOGO CSA LOGO THERMALLY PROTECTED	

PERFORMANCE CURVE NO.	TORQUE @ 825 RPM (25°C)	APPROVED SAMPLE	UL COMPONENT	CSA
C32576	15.8 OZ. FT.	0601710A	FILE # CCN # FILE # CLASS #	
			E46412 PRG2 LR43341 4211-01	

GREEN (GROUND)	12.0/13.0 [305/330]	#10 EYELET
BLACK/WHITE	3.0/5.0 [76/127]	REVERSING PLUG
BROWN	48.0/51.0 [1219/1295]	.25[6.4] FLAG
BROWN/WHITE	48.0/51.0 [1219/1295]	.25[6.4] FLAG
WHITE	48.0/51.0 [1219/1295]	.50[12.7] SKIN
BLACK	48.0/51.0 [1219/1295]	.50[12.7] SKIN
COLOR	LENGTH	TERMINAL OR STRIP LENGTH

REGAL-BELOIT CORPORATION (RBC) PROVIDES TECHNICAL ASSISTANCE TO OUR CUSTOMERS IN SEVERAL AREAS. SINCE RBC DOES NOT RECEIVE ALL DATA CONCERNING THE USE AND APPLICATION OF THE MOTOR, THE SUITABILITY OF THE MOTOR FOR THE APPLICATION MUST BE DETERMINED BY THE CUSTOMER.	
DIMENSIONS WITHOUT TOLERANCES ARE FOR REFERENCE ONLY.	
MAIN FRAME - OLE	ENCLOSED
END FRAME - OLE	ENCLOSED
MAIN FRAME - LE	ENCLOSED
END FRAME - LE	ENCLOSED

- NOTES:
- ATTACH INSTRUCTION SHEET 681572-003 ONTO SHAFT APPROX. 1.0[25] FROM WATER SLINGER (OR 69P9-3 ONLY USED IN MEXICO)
  - (4) SCREWS 615982-001 & (4) EXTRA HEX NUTS 7555A19H01 TO BE PUT IN A POLYBAG.

DRAWING REVISION		DATE	DRAWN BY:	
T	GELINE.ZHAO	05-23-2019	A.NAJERA	
ECO	APPROVED BY	DATE	DATE:	
ECO-0166568	KEYUN.GONG	05-23-2019	04-28-2011	
ECO DESCRIPTION		DATE:	APPROVED BY:	
SEE ECO		04-28-2011	J.RUPERT	
REGAL-BELOIT CORPORATION REGAL-BELOIT AMERICA, INC. ALL RIGHTS RESERVED. PROPRIETARY AND CONFIDENTIAL INFORMATION - THIS DOCUMENT IS THE PROPERTY OF REGAL-BELOIT AMERICA, INC. IT IS TO BE USED ONLY FOR THE PURPOSES SPECIFICALLY IDENTIFIED IN THIS DOCUMENT AND IS NOT TO BE REPRODUCED, COPIED, OR DISCLOSED TO ANY PERSON, CORPORATION OR OTHER ENTITY, WITHOUT THE WRITTEN PERMISSION OF REGAL-BELOIT AMERICA, INC. ANY REPRODUCTION OR DISCLOSURE WITHOUT THE WRITTEN PERMISSION OF REGAL-BELOIT AMERICA, INC. IS STRICTLY PROHIBITED. REGAL-BELOIT AMERICA, INC. SHALL NOT BE LIABLE FOR DAMAGES OF ANY KIND, INCLUDING CONSEQUENTIAL DAMAGES, ARISING OUT OF OR FROM THE USE OF THIS DOCUMENT, EVEN IF ADVISED IN ADVANCE BY OWNER. THIS DOCUMENT SHALL BE RETURNED TO OWNER UPON REQUEST. IT MAY BE SUBJECT TO CERTAIN RESTRICTIONS UNDER APPLICABLE EXPORT CONTROL LAWS AND REGULATIONS.		REFERENCE	MATERIAL	
THIRD ANGLE PROJECTION		SIZE DWG NO	PROCESS/FINISH	
C		ORM5484F	SHEET 1	