

PRODUCT INFORMATION PACKET



Model No:
Catalog No: ORM5458B
1/3 HP, 1075 RPM, 208-230V, 48FR, CENTURY 4-IN-1 MOTOR
Condenser Fans



Regal and Century are trademarks of Regal Beloit Corporation or one of its affiliated companies.
©2019 Regal Beloit Corporation, All Rights Reserved. MC017097E





Nameplate Specifications

Output HP	1/3-1/6 HP	Output KW	0.25 kW
Frequency	60 Hz	Voltage	208-230 V
Current	2.0 A	Speed	1075 RPM
Service Factor	1	Phase	1
Duty	Air Over	Insulation Class	B
Frame	48	Enclosure	Totally Enclosed
Overload Protector	Automatic	Ambient Temperature	60 °C
UL	Recognized	CSA	Y
CE	N		

Technical Specifications

Electrical Type	Permanent Split Capacitor	Starting Method	Induction Run
Poles	6	Rotation	Reversible
Mounting	Extended Studs	Motor Orientation	Any
Drive End Bearing	Ball	Opp Drive End Bearing	Ball
Frame Material	Rolled Steel	Shaft Type	Double Flat
Overall Length	11.68 in	Frame Length	3.50 in
Shaft Diameter	0.500 in	Shaft Extension	6.6 in
Outline Drawing	ORM5458B-S01	Connection Diagram	614131-292

This is an uncontrolled document once printed or downloaded and is subject to change without notice. Date Created: 10/17/2019

GENERAL INFORMATION:

SHAFT RUNOUT: .001[.03] T.I.R. PER INCH LENGTH OF EXTENSION

BEARINGS: BALL

MOUNTING POSITION: ALL ANGLE

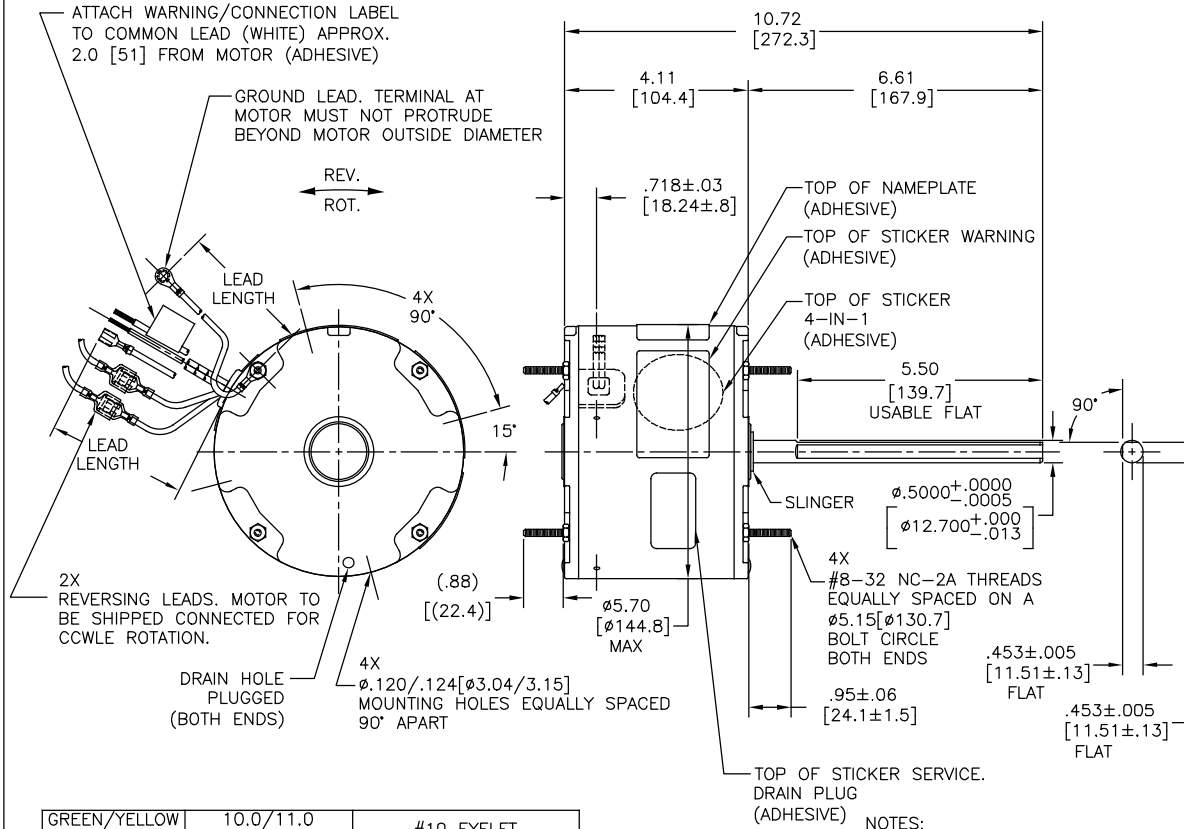
ELECTRICAL DATA:

OVERLOAD PROTECTOR: AUTOMATIC RESET (SENSATA 7AM 036)

LINE LEADS: NO. 18 GA., .06[1.5] THK. PVC 105°C INSUL.

REVERSING LEADS: NO. 18 GA., .03[.8] THK. XLP 125°C INSUL.

GROUND LEAD: NO. 18 GA., .03[.8] THK. (GREEN/YELLOW) INSUL.



NAMEPLATE DATA:	EXTERNAL CONNECTION DIAGRAM
MODEL NO.: F48U23A01 CUST. P/N: ORM5458B HP: 1/3-1/6 ROT.: REVERSIBLE RPM: 1075 TYPE: UF FRAME: 48 VOLTS: 208-230 PH: 1 AMPS: 2.0 HZ: 60 INS.: B AMB.: 60° C DUTY: AIR OVER CAP.: 7.5 MFD/370 VAC ENCL: ENCLOSED UL LOGO CSA LOGO THERMALLY PROTECTED	
614131-292	

PERFORMANCE CURVE NO.	TORQUE @ 1075 RPM (25°C)	APPROVED SAMPLE	UL COMPONENT FILE #	CCN #	CSA FILE #	CLASS #
C32109	30.7 OZ. FT.	0243290A	E46412	PRGY2	LR43341	4211-01

COLOR	LENGTH	TERMINAL OR STRIP LENGTH
GREEN/YELLOW (GROUND)	10.0/11.0 [254/279]	#10 EYELET
PURPLE (REV)	4.0/6.0 [102/152]	.25[6.4] PRE-INSUL. MALE TAB
PURPLE (REV)	4.0/6.0 [102/152]	.25[6.4] PRE-INSUL. FEMALE SPADE
YELLOW (REV)	4.0/6.0 [102/152]	.25[6.4] PRE-INSUL. MALE TAB
YELLOW (REV)	4.0/6.0 [102/152]	.25[6.4] PRE-INSUL. FEMALE SPADE
BROWN	48.0/51.0 [1219/1295]	.25[6.4] FEMALE SPADE
BROWN/WHITE	48.0/51.0 [1219/1295]	.25[6.4] FEMALE SPADE
WHITE	48.0/51.0 [1219/1295]	.50[12.7] SKIN
BLACK	48.0/51.0 [1219/1295]	.50[12.7] SKIN

NOTES:
 4X SCREWS 615982-001 & 4X HEX NUTS 7555A19H01 TO BE PUT IN A POLYBAG.

REGAL-BELOIT CORPORATION (RBC) PROVIDES TECHNICAL ASSISTANCE TO OUR CUSTOMERS IN SEVERAL AREAS. SINCE RBC DOES NOT RECEIVE ALL DATA CONCERNING THE USE AND APPLICATION OF THE MOTOR, THE SUITABILITY OF THE MOTOR FOR THE APPLICATION MUST BE DETERMINED BY THE CUSTOMER.

DIMENSIONS WITHOUT TOLERANCES ARE FOR REFERENCE ONLY.

MAIN FRAME - OLE	ENCLOSED
END FRAME - OLE	ENCLOSED
MAIN FRAME - LE	ENCLOSED
END FRAME - LE	ENCLOSED

CUSTOMER	DISTRIBUTION SERVICE
----------	----------------------

DRAWING REVISION	REVISION BY	DATE
M	GELINE ZHAO	05-23-2019
ECO	KEYUN QONG	05-23-2019

ECO-0166568
 SEE ECO

ENCLOSURE

DRAWN BY: J. RUPERT
 DATE: 03-22-2005
 APPROVED BY: T. RILEY
 DATE: 09-03-2002
 PROCESS/FINISH: -

DESCRIPTION: MODEL-RFHP-48FR OUTLINE	
MATERIAL:	
SIZE DWG NO:	ORM5458B
SHEET	1

PROPERTY AND CONFIDENTIAL INFORMATION - THIS DOCUMENT IS THE PROPERTY OF REGAL-BELOIT AMERICA, INC. COMPANY AND CONTAINS OWNERS PROPRIETARY INFORMATION. ANY PERSON, CORPORATION OR OTHER FIRM RECEIVING IT IS DEEMED, BY RECEIVING IT, TO AGREE THAT IT, AND/OR ANY PART OF IT, SHALL NOT BE DISCLOSED TO ANY PERSON, CORPORATION OR OTHER ENTITY, DUPLICATED, AND/OR USED, EXCEPT AS EXPRESSLY APPROVED IN WRITING BY OWNERS. THIS DOCUMENT SHALL BE RETURNED TO OWNER UPON REQUEST. IF ANY RE SUBJECT TO CERTAIN RESTRICTIONS UNDER APPLICABLE EXPORT CONTROL LAWS AND REGULATIONS.