

PRODUCT INFORMATION PACKET



Model No:
Catalog No: ORM5454BF
1/8 HP, 1075 RPM, 208-230V, 48FR, CENTURY 4-IN-1 HEATMASTER MOTOR
Condenser Fans



Regal and Century are trademarks of Regal Beloit Corporation or one of its affiliated companies.
©2019 Regal Beloit Corporation, All Rights Reserved. MC017097E





Nameplate Specifications

Output HP	1/8-1/15 HP	Output KW	0.10 kW
Frequency	60 Hz	Voltage	208-230 V
Current	0.8 A	Speed	1075 RPM
Service Factor	1	Phase	1
Duty	Air Over	Insulation Class	F
Frame	48	Enclosure	Totally Enclosed
Overload Protector	Automatic	Ambient Temperature	70 °C
UL	Recognized	CSA	Y
CE	N		

Technical Specifications

Electrical Type	Permanent Split Capacitor	Starting Method	Induction Run
Poles	6	Rotation	Reversible
Mounting	Extended Studs	Motor Orientation	Any
Drive End Bearing	Ball	Opp Drive End Bearing	Ball
Frame Material	Rolled Steel	Shaft Type	Double Flat
Overall Length	11.37 in	Frame Length	3.37 in
Shaft Diameter	0.500 in	Shaft Extension	6.5 in
Outline Drawing	ORM5454BF-S01	Connection Diagram	614131-242

This is an uncontrolled document once printed or downloaded and is subject to change without notice. Date Created: 10/17/2019

GENERAL INFORMATION:

SHAFT RUNOUT: .001[.03] T.I.R. PER INCH LENGTH OF EXTENSION

BEARINGS: BALL

MOUNTING POSITION: ALL ANGLE

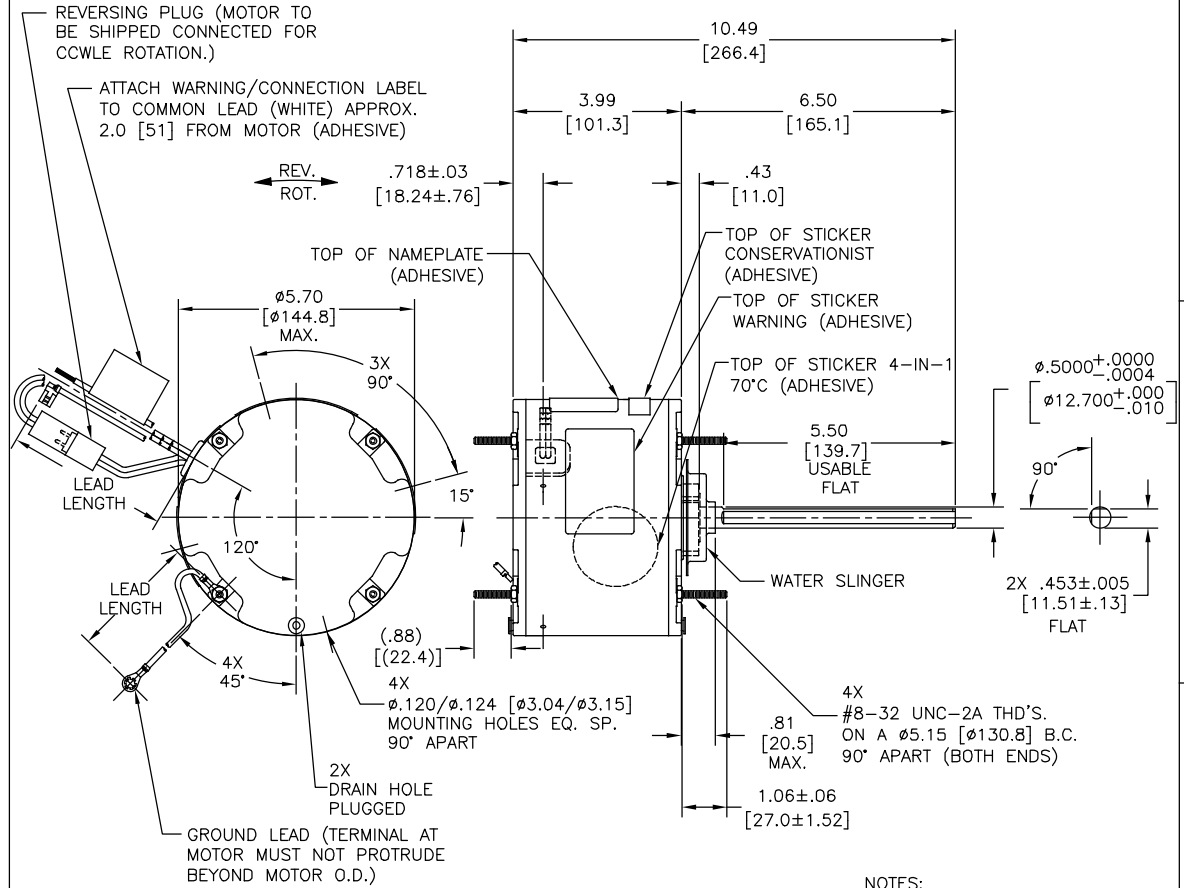
ELECTRICAL DATA:

OVERLOAD PROTECTOR: AUTOMATIC RESET (SENSATA 7AM 304)

LINE LEADS: NO. 18 GA., .06[1.5] THK. XLP 125°C INSUL.

REVERSING PLUGS: NO. 18 GA., .03[.8] THK. XLP 125°C INSUL.

GROUND LEAD: NO. 18 GA., .03[.8] THK. (GREEN) INSUL.



NAMEPLATE DATA:	EXTERNAL CONNECTION DIAGRAM
MODEL NO.: F48AB72A01 CUST. P/N: ORM5454BF HP: 1/8-1/15 ROT.: REVERSIBLE RPM: 1075 TYPE: UF FRAME: 48 VOLTS: 208-230 PH: 1 AMPS: 0.8 HZ: 60 INS.: F AMB.: 70°C DUTY: AIR OVER CAP.: 5 MFD/370 V ENCL: ENCLOSED UL LOGO CSA LOGO THERMALLY PROTECTED	<p>SEP. CAP.</p> <p>BROWN</p> <p>BRN/WHT</p> <p>WHITE</p> <p>LINE</p> <p>ROTATION</p> <p>BLACK WHITE</p> <p>WHITE BLACK</p> <p>BLACK WHITE</p> <p>WHITE BLACK</p> <p>CCWLE</p> <p>CWLE</p> <p>614131-242</p>

PERFORMANCE CURVE NO.	TORQUE @ 1075 RPM (25°C)	APPROVED SAMPLE	UL COMPONENT	CSA
FILE #	CCN #	FILE #	CLASS #	
C0000025	11.7 OZ. FT.	0801428A	E46412 PRGY2	LR43341 4211-01

COLOR	LENGTH	TERMINAL OR STRIP LENGTH
GREEN (GROUND)	12.0/13.0 [305/330]	#10 EYELET
BLACK/WHITE	3.0/5.0 [76/127]	REVERSING PLUG
BROWN	48.0/51.0 [1219/1295]	.25[6.4] FLAG
BROWN/WHITE	48.0/51.0 [1219/1295]	.25[6.4] FLAG
WHITE	48.0/51.0 [1219/1295]	.50[12.7] SKIN
BLACK	48.0/51.0 [1219/1295]	.50[12.7] SKIN

REGAL-BELOIT CORPORATION (RBC) PROVIDES TECHNICAL ASSISTANCE TO OUR CUSTOMERS IN SEVERAL AREAS. SINCE RBC DOES NOT RECEIVE ALL DATA CONCERNING THE USE AND APPLICATION OF THE MOTOR, THE SUITABILITY OF THE MOTOR FOR THE APPLICATION MUST BE DETERMINED BY THE CUSTOMER.	
DIMENSIONS WITHOUT TOLERANCES ARE FOR REFERENCE ONLY.	
MAIN FRAME - OLE	ENCLOSED
END FRAME - OLE	ENCLOSED
MAIN FRAME - LE	ENCLOSED
END FRAME - LE	ENCLOSED

- NOTES:
- ATTACH INSTRUCTION SHEET 681572-003 ONTO SHAFT APPROX. 1.0[25] FROM WATER SLINGER (OR 69P9-3 ONLY USED IN MEXICO)
 - (4) SCREWS 615982-001 & (4) EXTRA HEX NUTS 7555A19H01 TO BE PUT IN A POLYBAG.

DRAWING REVISION	REVISION BY	DATE
F	GELINE ZHAO	05-23-2019
ECO	APPROVED BY KEYUN GONG	DATE 05-23-2019
ECO DESCRIPTION: SEE ECO		

REGAL-BELOIT CORPORATION (RBC) PROVIDES TECHNICAL ASSISTANCE TO OUR CUSTOMERS IN SEVERAL AREAS. SINCE RBC DOES NOT RECEIVE ALL DATA CONCERNING THE USE AND APPLICATION OF THE MOTOR, THE SUITABILITY OF THE MOTOR FOR THE APPLICATION MUST BE DETERMINED BY THE CUSTOMER.

DRAWN BY:	DATE:
A. NAJERA	04-28-2011
APPROVED BY:	DATE:
J. RUPERT	04-28-2011
REFERENCE:	
THIRD ANGLE PROJECTION	

Regal Beloit America, Inc.	
DESCRIPTION	MODEL-RFHP-48FR OUTLINE
MATERIAL	PROCESS/FINISH
SIZE DWG NO	ORM5454BF
SHEET	1