

# PRODUCT INFORMATION PACKET



Model No:  
Catalog No: ORM4688BU  
1/3 HP,825 RPM,460V,48FR,CENTURY 4-IN-1 HEATMASTER ULTRA MOTOR  
Condenser Fans



Regal and Century are trademarks of Regal Beloit Corporation or one of its affiliated companies.  
©2019 Regal Beloit Corporation, All Rights Reserved. MC017097E





### Nameplate Specifications

Output HP	<b>1/3-1/8 HP</b>	Output KW	<b>0.25 kW</b>
Frequency	<b>60 Hz</b>	Voltage	<b>460 V</b>
Current	<b>1.0 A</b>	Speed	<b>825 RPM</b>
Service Factor	<b>1</b>	Phase	<b>1</b>
Duty	<b>Air Over</b>	Insulation Class	<b>F</b>
Frame	<b>48</b>	Enclosure	<b>Totally Enclosed</b>
Overload Protector	<b>Automatic</b>	Ambient Temperature	<b>80 °C</b>
UL	<b>Recognized</b>	CSA	<b>Y</b>
CE	<b>N</b>		

### Technical Specifications

Electrical Type	<b>Permanent Split Capacitor</b>	Starting Method	<b>Induction Run</b>
Poles	<b>8</b>	Rotation	<b>Reversible</b>
Mounting	<b>Extended Studs</b>	Motor Orientation	<b>Any</b>
Drive End Bearing	<b>Ball</b>	Opp Drive End Bearing	<b>Ball</b>
Frame Material	<b>Rolled Steel</b>	Shaft Type	<b>Flat</b>
Overall Length	<b>12.62 in</b>	Frame Length	<b>4.63 in</b>
Shaft Diameter	<b>0.500 in</b>	Shaft Extension	<b>6.5 in</b>
Outline Drawing	<b>ORM4688BU-S01</b>	Connection Diagram	<b>614131-242</b>

This is an uncontrolled document once printed or downloaded and is subject to change without notice. Date Created: 10/19/2019

GENERAL INFORMATION:

SHAFT RUNOUT: .001[.025] T.I.R. PER INCH LENGTH OF EXTENSION

BEARINGS: BALL

MOUNTING POSITION: ALL ANGLE

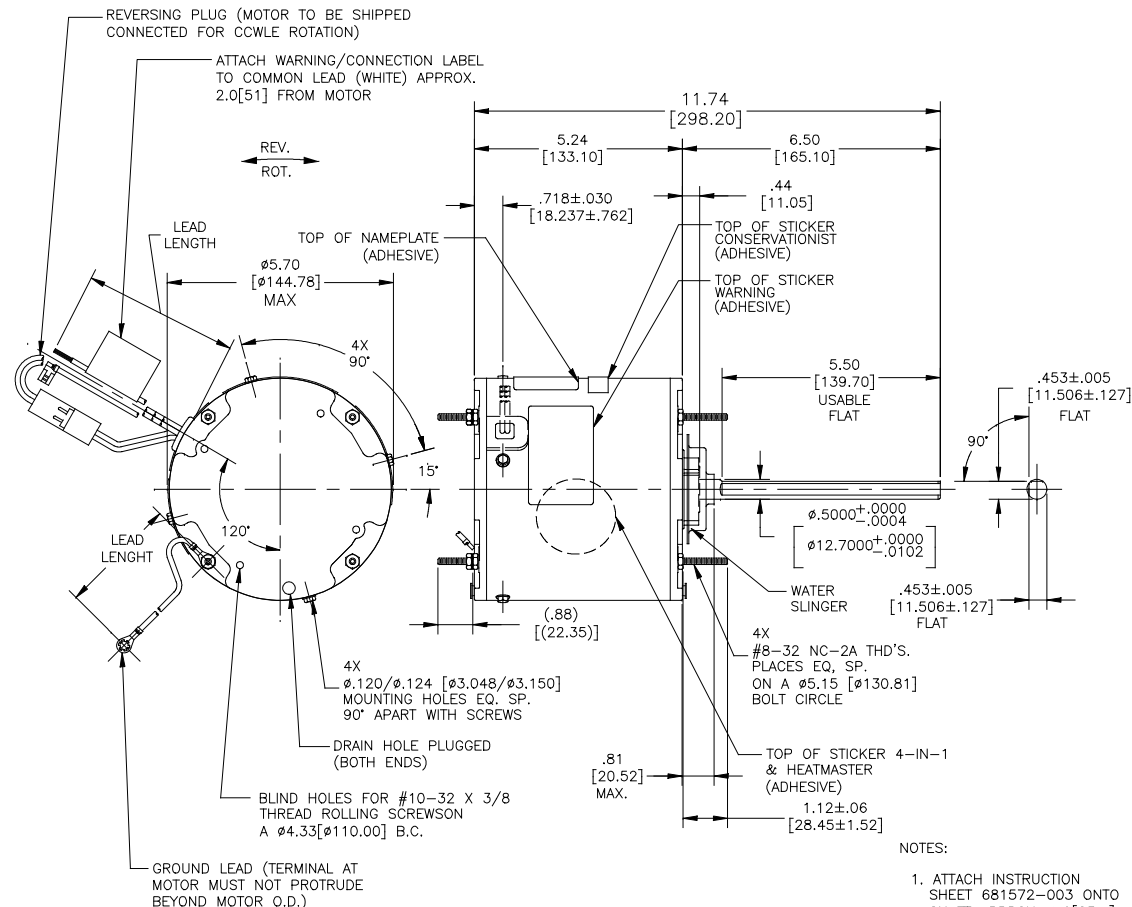
ELECTRICAL DATA:

OVERLOAD PROTECTOR: AUTOMATIC RESET (SENSATA 7AM 304)

LINE LEADS: NO. 18 GA., .06[1.52] THK. XLP 125°C INSUL.

REVERSING LEADS: NO. 18 GA., .03[.76] THK. XLP 125°C INSUL.

GROUND LEAD: NO. 18 GA., .03[.76] THK. (GREEN) INSUL.



NAMEPLATE DATA:	EXTERNAL CONNECTION DIAGRAM
MODEL NO.: F48AJ63A01	
CUST. P/N: ORM4688BU	
HP: 1/3-1/8	
ROT.: REVERSIBLE	
RPM: 825	
TYPE: UF	
FRAME: 48	
VOLTS: 460	
PH: 1	
AMPS: 1.0	
HZ: 60	
INS.: F	
AMB.: 80°C	
DUTY: AIR OVER	
CAP.: 7.5 MFD/370 V	
ENCL: ENCLOSED	
UL LOGO	
CSA LOGO	
THERMALLY PROTECTED	

614131-242

PERFORMANCE CURVE NO.	TORQUE @ 825 RPM (25°C)	APPROVED SAMPLE	UL COMPONENT		CSA	
FILE #	CCN #	FILE #	CLASS #	FILE #	CLASS #	
C0000066	35.9 OZ. FT.	0801374C	E46412	PRGY2	LR43341	4211-01

COLOR	LENGTH	TERMINAL OR STRIP LENGTH
GREEN (GROUND)	12.0/13.0 [304.8/330.2]	#10 EYELET
BLACK/WHITE	3.0/5.0 [76.2/127.0]	REVERSING PLUG
BROWN	47.5/51.5 [1206.5/1308.1]	.25[6.35] FLAG
BROWN/WHITE	47.5/51.5 [1206.5/1308.1]	.25[6.35] FLAG
WHITE	47.5/51.5 [1206.5/1308.1]	.50[12.70] SKIN
BLACK	47.5/51.5 [1206.5/1308.1]	.50[12.70] SKIN

REGAL-BELOIT CORPORATION (RBC) PROVIDES TECHNICAL ASSISTANCE TO OUR CUSTOMERS IN SEVERAL AREAS. SINCE RBC DOES NOT RECEIVE ALL DATA CONCERNING THE USE AND APPLICATION OF THE MOTOR, THE SUITABILITY OF THE MOTOR FOR THE APPLICATION MUST BE DETERMINED BY THE CUSTOMER.

DIMENSIONS WITHOUT TOLERANCES ARE FOR REFERENCE ONLY.

MAIN FRAME - OLE	ENCLOSED
END FRAME - OLE	ENCLOSED
MAIN FRAME - LE	ENCLOSED
END FRAME - LE	ENCLOSED

- NOTES:
- ATTACH INSTRUCTION SHEET 681572-003 ONTO SHAFT APPROX. 1.0[25.4] FROM WATER SLINGER (OR 69P9-3 ONLY USED IN MEXICO)
  - (4) EXTRA HEX NUTS 7555A19H01 ON LEAD END (FINGER TIGHT)
  - (4) SCREWS 13833003 TO BE SHIPPED SEPARATELY WITH EACH MOTOR.

CUSTOMER	DISTRIBUTION SERVICE

DRAWING REVISION/REVISION BY		DATE	DRAWN BY:	
B	CADDIE.ZHOU	12-04-2018	CADDIE.ZHOU	
ECC	APPROVED BY: DEXIAN.LI	12-04-2018	DATE:	03-18-2017
ECC	ECO-0157715		APPROVED BY:	DEXIAN.LI
ECO DESCRIPTION			DATE:	03-18-2017
@ZONE B1 ADD CHARACTER & HEATMASTER			REFERENCE:	
<small>COPYRIGHT REGAL-BELOIT AMERICA, INC. ALL RIGHTS RESERVED. PROPRIETARY AND CONFIDENTIAL INFORMATION - THIS DOCUMENT IS THE PROPERTY OF REGAL-BELOIT AMERICA, INC. (OWNER) AND CONTAINS OWNER'S PROPRIETARY INFORMATION. ANY REPRODUCTION, COPIATION OR OTHER USE WITHOUT THE WRITTEN PERMISSION OF REGAL-BELOIT AMERICA, INC. IS STRICTLY PROHIBITED. BY RECEIVING IT, TO AGREE THAT IT, AND/OR ANY PART OF IT, SHALL NOT BE DISCLOSED TO ANY PERSON, CORPORATION OR OTHER ENTITY, SUPPLIER, AND/OR USER WITHOUT AS EXPRESSLY APPROVED IN WRITING BY OWNER. THIS DOCUMENT SHALL BE RETURNED TO OWNER UPON REQUEST. IT MAY BE SUBJECT TO CERTAIN RESTRICTIONS UNDER APPLICABLE EXPORT CONTROL LAWS AND REGULATIONS.</small>				
THIRD ANGLE PROJECTION		SIZE	DWG NO	PROCESS/FINISH
		C	ORM4688BU	