

PRODUCT INFORMATION PACKET



Model No:
Catalog No: ORM4659BF
1/2 HP, 1075 RPM, 460V, 48FR, CENTURY 4-IN-1 HEATMASTER MOTOR
Condenser Fans



Regal and Century are trademarks of Regal Beloit Corporation or one of its affiliated companies.
©2019 Regal Beloit Corporation, All Rights Reserved. MC017097E





Nameplate Specifications

Output HP	1/2-1/5 HP	Output KW	0.37 kW
Frequency	60 Hz	Voltage	460 V
Current	1.5 A	Speed	1075 RPM
Service Factor	1	Phase	1
Duty	Air Over	Insulation Class	F
Frame	48	Enclosure	Totally Enclosed
Overload Protector	Automatic	Ambient Temperature	70 °C
UL	Recognized	CSA	Y
CE	N		

Technical Specifications

Electrical Type	Permanent Split Capacitor	Starting Method	Induction Run
Poles	6	Rotation	Reversible
Mounting	Extended Studs	Motor Orientation	Any
Drive End Bearing	Ball	Opp Drive End Bearing	Ball
Frame Material	Rolled Steel	Shaft Type	Double Flat
Overall Length	12.99 in	Frame Length	5.13 in
Shaft Diameter	0.500 in	Shaft Extension	6.5 in
Outline Drawing	ORM4659BF-S01	Connection Diagram	614131-242

This is an uncontrolled document once printed or downloaded and is subject to change without notice. Date Created: 10/17/2019

4 3 2 1

GENERAL INFORMATION:

SHAFT RUNOUT: .001[.03] T.I.R. PER INCH LENGTH OF EXTENSION

BEARINGS: BALL

MOUNTING POSITION: ALL ANGLE

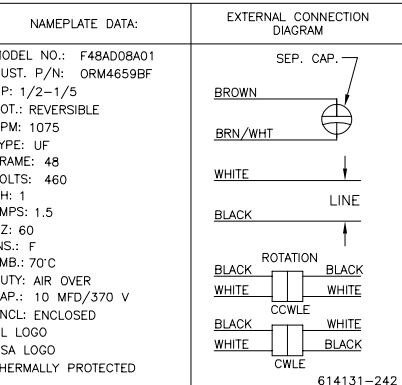
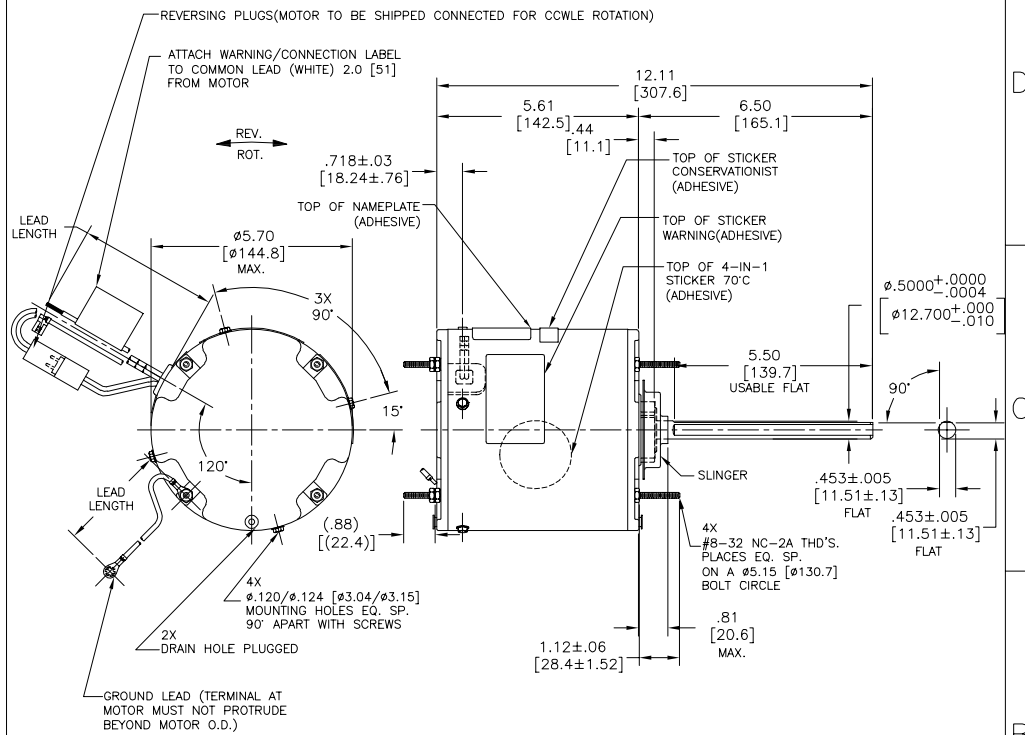
ELECTRICAL DATA:

OVERLOAD PROTECTOR: AUTOMATIC RESET (SENSATA 7AM 304)

LINE LEADS: NO. 18 GA., .06[1.5] THK. XLP 125°C INSUL.

REVERSING LEADS: NO. 18 GA., .03[.8] THK. XLP 125°C INSUL.

GROUND LEAD: NO. 18 GA., .03[.8] THK. (GREEN) INSUL.



GREEN (GROUND)	12.0/13.0 [305/330]	#10 EYELET
BLACK/WHITE	3.0/5.0 [76/127]	REVERSING PLUG
BROWN	48.0/51.0 [1219/1295]	.25[6.4] FLAG
BROWN/WHITE	48.0/51.0 [1219/1295]	.25[6.4] FLAG
WHITE	48.0/51.0 [1219/1295]	.50[12.7] SKIN
BLACK	48.0/51.0 [1219/1295]	.50[12.7] SKIN
COLOR	LENGTH	TERMINAL OR STRIP LENGTH

REGAL-BELOIT CORPORATION (RBC) PROVIDES TECHNICAL ASSISTANCE TO OUR CUSTOMERS IN SEVERAL AREAS. SINCE RBC DOES NOT RECEIVE ALL DATA CONCERNING THE USE AND APPLICATION OF THE MOTOR, THE SUITABILITY OF THE MOTOR FOR THE APPLICATION MUST BE DETERMINED BY THE CUSTOMER.

DIMENSIONS WITHOUT TOLERANCES ARE FOR REFERENCE ONLY.

- NOTES:
- ATTACH INSTRUCTION SHEET 681572-003 ONTO SHAFT APPROX. 1.0[25] FROM WATER SLINGER (OR 69P9-3 ONLY USED IN MEXICO)
 - 4X EXTRA HEX NUTS 7555A19H01 ON LEAD END (FINGER TIGHT)

MAIN FRAME - OLE	ENCLOSED
END FRAME - OLE	ENCLOSED
MAIN FRAME - LE	ENCLOSED
END FRAME - LE	ENCLOSED

CUSTOMER	DISTRIBUTION SERVICE
----------	----------------------

PERFORMANCE CURVE NO.	TORQUE @1075 RPM (25°C)	APPROVED SAMPLE	UL COMPONENT	CSA
C32586	48.3 OZ. FT.	0601190A	E46412 PRGY2	LR43341 4211-01

LEAD DATA

DRAWING REVISION	REVISION BY	DATE
E	J.ZHU	05-12-2014
ECO	APPROVED BY	DATE
0050474	J.ZHU	05-12-2014
ECO DESCRIPTION		
UPDATE NEW TITLE BLOCK		

COPYRIGHT REGAL-BELOIT AMERICA, INC. ALL RIGHTS RESERVED. REGAL-BELOIT AMERICA, INC. IS THE PROPERTY OF REGAL-BELOIT AMERICA, INC. THIS DOCUMENT IS THE PROPERTY OF REGAL-BELOIT AMERICA, INC. AND IS NOT TO BE REPRODUCED, COPIED, OR TRANSMITTED IN ANY FORM OR BY ANY MEANS, ELECTRONIC OR MECHANICAL, INCLUDING PHOTOCOPYING, RECORDING, OR BY ANY INFORMATION STORAGE AND RETRIEVAL SYSTEM, WITHOUT THE WRITTEN PERMISSION OF REGAL-BELOIT AMERICA, INC. REGAL-BELOIT AMERICA, INC. IS NOT RESPONSIBLE FOR ANY DAMAGE TO ANY PERSON, CORPORATION OR OTHER ENTITY, DIRECT OR INDIRECT, ARISING FROM THE USE OF THIS DOCUMENT, EVEN IF SUCH DAMAGE IS CAUSED BY NEGLIGENCE. REGAL-BELOIT AMERICA, INC. IS NOT RESPONSIBLE FOR ANY DAMAGE TO ANY PERSON, CORPORATION OR OTHER ENTITY, DIRECT OR INDIRECT, ARISING FROM THE USE OF THIS DOCUMENT, EVEN IF SUCH DAMAGE IS CAUSED BY NEGLIGENCE.

ENCLOSURE

DRAWN BY:	H.ZHU
DATE:	05-27-2009
APPROVED BY:	D.U.
DATE:	06-01-2009
REFERENCE:	
MATERIAL:	
PROCESS/FINISH:	
SIZE (DWG NO)	ORM4659BF
THIRD ANGLE PROJECTION	

DESCRIPTION: MODEL-RFHP-48FR OUTLINE

REGAL-BELOIT America, Inc.

B

B

A

A

4 3 2 1