

PRODUCT INFORMATION PACKET



Model No:
Catalog No: FE1058SU
1/2 HP,825 RPM,208-230V,48FR,CENTURY HEATMASTER ULTRA MOTOR
Condenser Fans



Regal and Century are trademarks of Regal Beloit Corporation or one of its affiliated companies.
©2019 Regal Beloit Corporation, All Rights Reserved. MC017097E





Nameplate Specifications

| | | | |
|--------------------|-------------------|---------------------|-------------------------|
| Output HP | 1/2 HP | Output KW | 0.37 kW |
| Frequency | 60 Hz | Voltage | 208-230 V |
| Current | 2.3 A | Speed | 825 RPM |
| Service Factor | 1 | Phase | 1 |
| Duty | Air Over | Insulation Class | F |
| Frame | 48 | Enclosure | Totally Enclosed |
| Overload Protector | Automatic | Ambient Temperature | 80 °C |
| UL | Recognized | CSA | Y |
| CE | N | | |

Technical Specifications

| | | | |
|-------------------|----------------------------------|-----------------------|----------------------|
| Electrical Type | Permanent Split Capacitor | Starting Method | Induction Run |
| Poles | 8 | Rotation | Reversible |
| Mounting | Extended Studs | Motor Orientation | Any |
| Drive End Bearing | Ball | Opp Drive End Bearing | Ball |
| Frame Material | Rolled Steel | Shaft Type | Double Flat |
| Overall Length | 12.99 in | Frame Length | 5.00 in |
| Shaft Diameter | 0.500 in | Shaft Extension | 6.5 in |
| Outline Drawing | FE1058SU-S01 | Connection Diagram | 614131-242 |

This is an uncontrolled document once printed or downloaded and is subject to change without notice. Date Created: 10/17/2019

GENERAL INFORMATION:

SHAFT RUNOUT: .001 [.03] T.I.R. PER INCH LENGTH OF EXTENSION

BEARINGS: BALL

MOUNTING POSITION: ALL ANGLE

ELECTRICAL DATA:

OVERLOAD PROTECTOR: AUTOMATIC RESET (T.I. 7AM 304)

LINE LEADS: NO. 18 GA., .06 [1.5] THK. XLP 125°C INSUL.

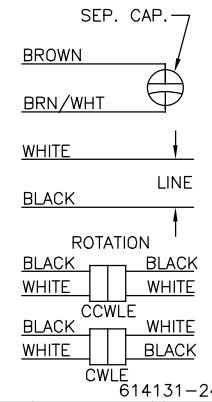
REVERSING LEADS: NO. 18 GA., .03 [.8] THK. XLP 125°C INSUL.

GROUND LEAD: NO. 18 GA., .03 [.8] THK. (GREEN) INSUL.

NAMEPLATE DATA:

EXTERNAL CONNECTION DIAGRAM

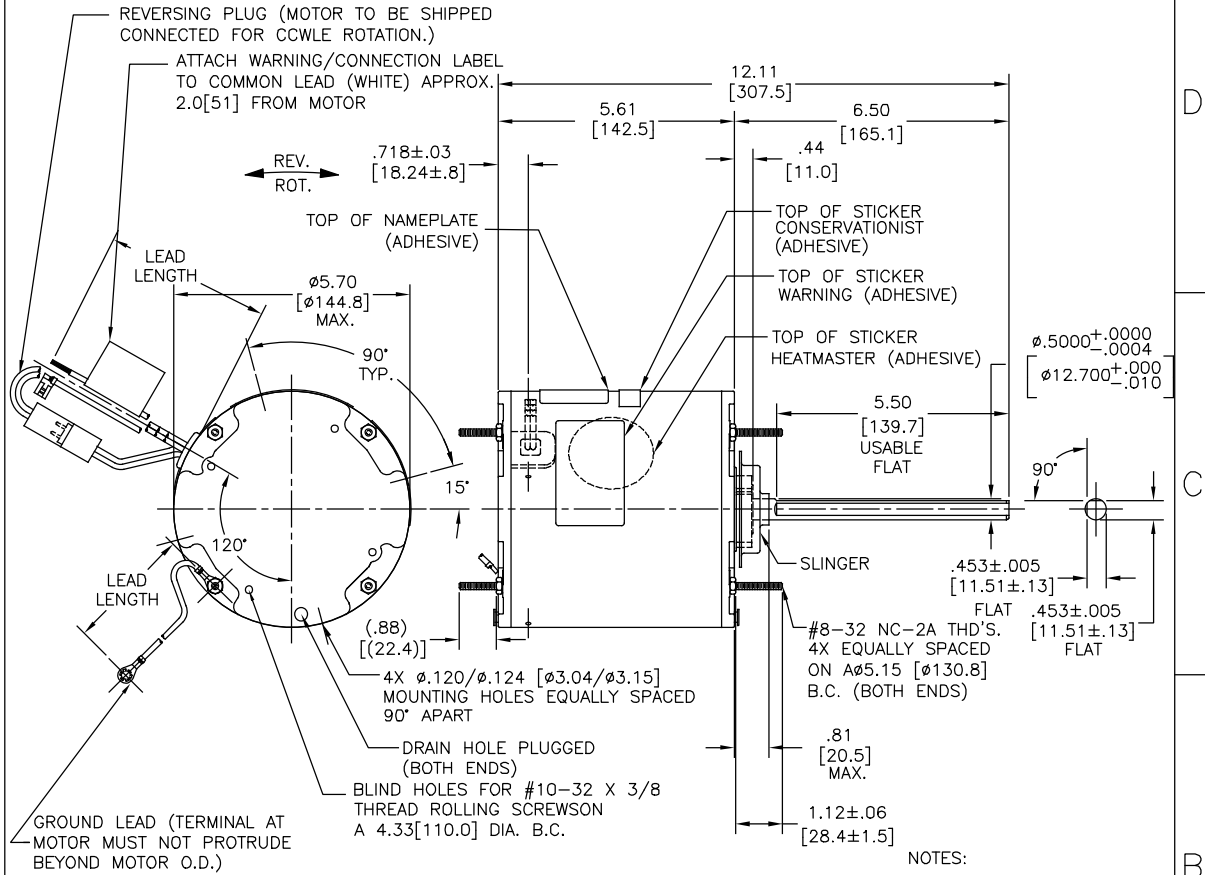
MODEL NO.: F48AF21A01
 CUST. P/N: FE1058SU
 HP: 1/2
 ROT.: REVERSIBLE
 RPM: 825
 TYPE: UF
 FRAME: 48
 VOLTS: 208-230
 PH: 1
 AMPS: 2.3
 HZ: 60
 INS.: F
 AMB.: 80°C
 DUTY: AIR OVER
 CAP.: 10 MFD/370 V
 ENCL: ENCLOSED
 UL LOGO
 CSA LOGO
 THERMALLY PROTECTED



614131-242

| PERFORMANCE CURVE NO. | TORQUE @ 825 RPM (25°C) | APPROVED SAMPLE | UL COMPONENT FILE # | CSA CCN # | FILE # | CLASS # |
|-----------------------|-------------------------|-----------------|---------------------|-----------|---------|---------|
| C32580 | 50.8 OZ. FT. | 0601197A | E46412 | PRGY2 | LR43341 | 4211-01 |

Uncontrolled Copy



| COLOR | LENGTH | TERMINAL OR STRIP LENGTH |
|----------------|-----------------------|--------------------------|
| GREEN (GROUND) | 12.0/13.0 [305/330] | #10 EYELET |
| BLACK/WHITE | 3.0/5.0 [76/127] | REVERSING PLUG |
| BROWN | 48.0/51.0 [1219/1295] | .25 [6.4] FLAG |
| BROWN/WHITE | 48.0/51.0 [1219/1295] | .25 [6.4] FLAG |
| WHITE | 48.0/51.0 [1219/1295] | .50 [12.7] SKIN |
| BLACK | 48.0/51.0 [1219/1295] | .50 [12.7] SKIN |

REGAL-BELOIT CORPORATION (RBC) PROVIDES TECHNICAL ASSISTANCE TO OUR CUSTOMERS IN SEVERAL AREAS. SINCE RBC DOES NOT RECEIVE ALL DATA CONCERNING THE USE AND APPLICATION OF THE MOTOR, THE SUITABILITY OF THE MOTOR FOR THE APPLICATION MUST BE DETERMINED BY THE CUSTOMER.

DIMENSIONS WITHOUT TOLERANCES ARE FOR REFERENCE ONLY.

| | |
|------------------|----------|
| MAIN FRAME - OLE | ENCLOSED |
| END FRAME - OLE | ENCLOSED |
| MAIN FRAME - LE | ENCLOSED |
| END FRAME - LE | ENCLOSED |

NOTES:

1. ATTACH INSTRUCTION SHEET 69P9-3 ONTO SHAFT APPROX. 1.0[25] FROM WATER SLINGER
2. 4X SCREWS 615982-001 & 4X HEX NUTS 7555A19H01 & 4X SCREWS 13833003 TO BE PUT IN A POLYBAG.

LEAD DATA

| DRAWING REVISION | REVISION BY | DATE |
|------------------|------------------------|-----------------|
| D | GELINE.ZHAO | 05-23-2019 |
| ECC | APPROVED BY KEYUN.GONG | DATE 05-23-2019 |
| ECC-0166568 | | |
| ECC DESCRIPTION | | SEE ECC |

COPYRIGHT REGAL-BELOIT AMERICA, INC. ALL RIGHTS RESERVED. PROPRIETARY AND CONFIDENTIAL INFORMATION - THIS DOCUMENT IS THE PROPERTY OF REGAL-BELOIT AMERICA, INC. (OWNER) AND CONFERS OWNER'S PROPRIETARY INFORMATION AND PERSONAL CORPORATION OR OTHER FIRM RECEIVING IT IS DESIRED. BY RECEIVING IT, TO AGREE THAT IT, AND/OR ANY PART OF IT, SHALL NOT BE DISCLOSED TO ANY PERSON, CORPORATION OR OTHER ENTITY, UNLESS USED, EXCEPT AS EXPRESSLY APPROVED IN WRITING IN ADVANCE BY OWNER. THIS DOCUMENT SHALL BE RETURNED TO OWNER UPON REQUEST. IT MAY BE SUBJECT TO CUSTOMER RESTRICTIONS UNDER APPLICABLE EXPORT CONTROL LAWS AND REGULATIONS.

ENCLOSURE

| | |
|------------------------|------------------|
| DRAWN BY: Z.ZHANG | DATE: 01-18-2013 |
| APPROVED BY: T.ZHAO | DATE: 01-18-2013 |
| PROCESS/FINISH | MATERIAL |
| THIRD ANGLE PROJECTION | SIZE DWG NO: C |

Regal Beloit America, Inc.

MODEL-RFHP-48FR OUTLINE

| CUSTOMER | DISTRIBUTION SERVICE |
|----------|----------------------|
| | |

FE1058SU

SHEET 1