

# PRODUCT INFORMATION PACKET



Model No:  
Catalog No: FE1038SU  
1/3 HP,825 RPM,208-230V,48FR,CENTURY HEATMASTER ULTRA MOTOR  
Condenser Fans



Regal and Century are trademarks of Regal Beloit Corporation or one of its affiliated companies.  
©2019 Regal Beloit Corporation, All Rights Reserved. MC017097E





### Nameplate Specifications

Output HP	<b>1/3 HP</b>	Output KW	<b>0.25 kW</b>
Frequency	<b>60 Hz</b>	Voltage	<b>208-230 V</b>
Current	<b>1.6 A</b>	Speed	<b>825 RPM</b>
Service Factor	<b>1</b>	Phase	<b>1</b>
Duty	<b>Air Over</b>	Insulation Class	<b>F</b>
Frame	<b>48</b>	Enclosure	<b>Totally Enclosed</b>
Overload Protector	<b>Automatic</b>	Ambient Temperature	<b>80 °C</b>
UL	<b>Recognized</b>	CSA	<b>Y</b>
CE	<b>N</b>		

### Technical Specifications

Electrical Type	<b>Permanent Split Capacitor</b>	Starting Method	<b>Induction Run</b>
Poles	<b>8</b>	Rotation	<b>Reversible</b>
Mounting	<b>Extended Studs</b>	Motor Orientation	<b>Any</b>
Drive End Bearing	<b>Ball</b>	Opp Drive End Bearing	<b>Ball</b>
Frame Material	<b>Rolled Steel</b>	Shaft Type	<b>Double Flat</b>
Overall Length	<b>12.49 in</b>	Frame Length	<b>4.50 in</b>
Shaft Diameter	<b>0.500 in</b>	Shaft Extension	<b>6.5 in</b>
Outline Drawing	<b>FE1038SU-S01</b>	Connection Diagram	<b>614131-242</b>

This is an uncontrolled document once printed or downloaded and is subject to change without notice. Date Created: 10/17/2019

GENERAL INFORMATION:

SHAFT RUNOUT: .001 [.03] T.I.R. PER INCH LENGTH OF EXTENSION

BEARINGS: BALL

MOUNTING POSITION: ALL ANGLE

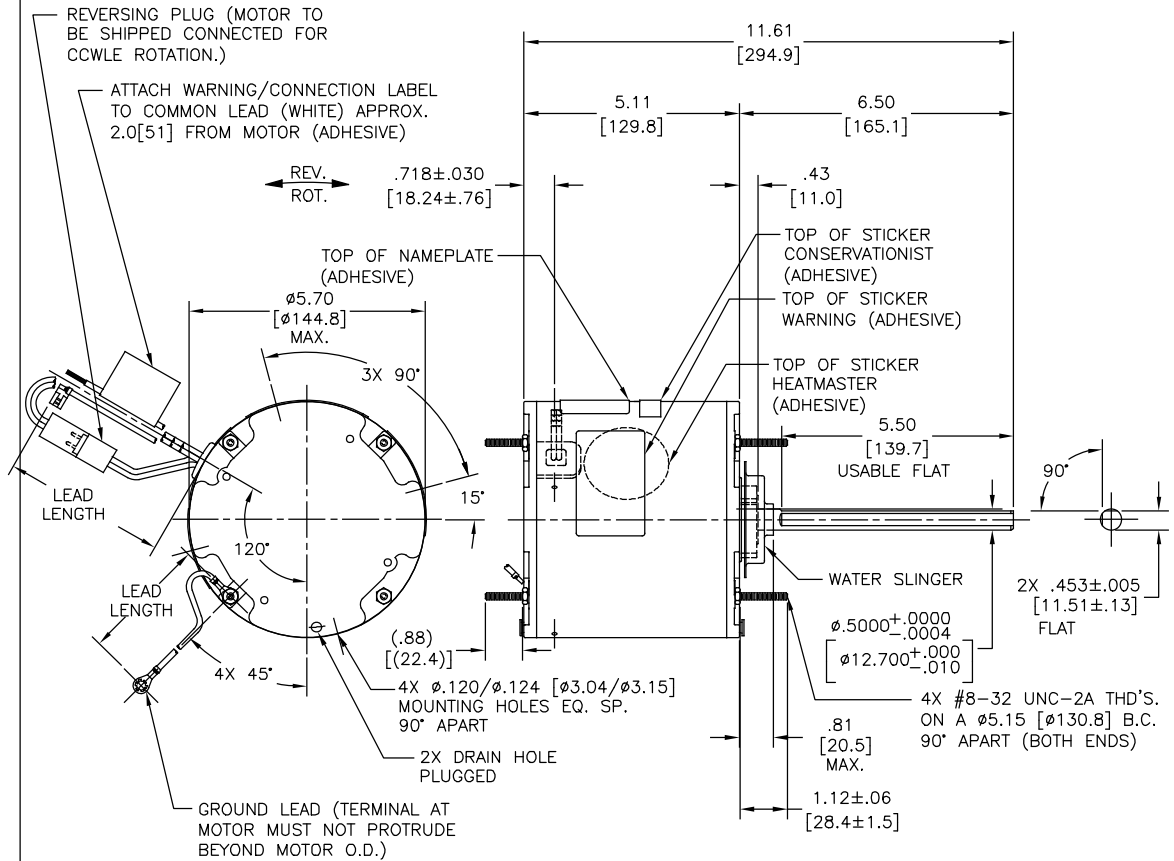
ELECTRICAL DATA:

OVERLOAD PROTECTOR: AUTOMATIC RESET (T.I. 7AM 304)

LINE LEADS: NO. 18 GA., .06 [.5] THK. XLP 125°C INSUL.

REVERSING PLUGS: NO. 18 GA., .03 [.8] THK. XLP 125°C INSUL.

GROUND LEAD: NO. 18 GA., .03 [.8] THK. (GREEN) INSUL.



NAMEPLATE DATA:	EXTERNAL CONNECTION DIAGRAM
MODEL NO.: F48AF28A01 CUST. P/N: FE1038SU HP: 1/3 ROT.: REVERSIBLE RPM: 825 TYPE: UF FRAME: 48 VOLTS: 208-230 PH: 1 AMPS: 1.6 HZ: 60 INS.: F AMB.: 80°C DUTY: AIR OVER CAP.: 7.5 MFD/370 V ENCL: ENCLOSED UL LOGO CSA LOGO THERMALLY PROTECTED	<p>SEP. CAP.</p> <p>BROWN</p> <p>BRN/WHT</p> <p>WHITE</p> <p>BLACK</p> <p>LINE</p> <p>ROTATION</p> <p>BLACK BLACK</p> <p>WHITE WHITE</p> <p>BLACK CCWLE WHITE</p> <p>WHITE CWLE BLACK</p> <p>614131-242</p>

PERFORMANCE CURVE NO.	TORQUE @ 825 RPM (25°C)	APPROVED SAMPLE	UL COMPONENT FILE #	CCN #	CSA FILE #	CLASS #
C32579	40.1 OZ. FT.		E46412	PRGY2	LR43341	4211-01

COLOR	LENGTH	TERMINAL OR STRIP LENGTH
GREEN (GROUND)	12.0/13.0 [305/330]	#10 EYELET
BLACK/WHITE	3.0/5.0 [76/127]	REVERSING PLUG
BROWN	48.0/51.0 [1219/1295]	.25 [6.4] FLAG
BROWN/WHITE	48.0/51.0 [1219/1295]	.25 [6.4] FLAG
WHITE	48.0/51.0 [1219/1295]	.50 [12.7] SKIN
BLACK	48.0/51.0 [1219/1295]	.50 [12.7] SKIN

REGAL-BELOIT CORPORATION (RBC) PROVIDES TECHNICAL ASSISTANCE TO OUR CUSTOMERS IN SEVERAL AREAS. SINCE RBC DOES NOT RECEIVE ALL DATA CONCERNING THE USE AND APPLICATION OF THE MOTOR, THE SUITABILITY OF THE MOTOR FOR THE APPLICATION MUST BE DETERMINED BY THE CUSTOMER.

DIMENSIONS WITHOUT TOLERANCES ARE FOR REFERENCE ONLY.

MAIN FRAME - OLE	ENCLOSED
END FRAME - OLE	ENCLOSED
MAIN FRAME - LE	ENCLOSED
END FRAME - LE	ENCLOSED

- NOTES:
- ATTACH INSTRUCTION SHEET 69P9-3 ONTO SHAFT APPROX. 1.0[25] FROM WATER SLINGER
  - 4X SCREWS 615982-001 & 4X HEX NUTS 7555A19H01 & 4X SCREWS 13833003 TO BE PUT IN A POLYBAG.

DRAWING REVISION		DATE	DRAWN BY:	
D	GEUNE ZHAO	05-23-2019	N.HONG	
ECO	KEYUN QONG	05-23-2019	DATES:	01-18-2013
ECO-0166568			APPROVED BY:	D.ZHANG
SEE ECO			DATES:	01-18-2013
<small>REGAL-BELOIT CORPORATION (RBC) PROVIDES TECHNICAL ASSISTANCE TO OUR CUSTOMERS IN SEVERAL AREAS. SINCE RBC DOES NOT RECEIVE ALL DATA CONCERNING THE USE AND APPLICATION OF THE MOTOR, THE SUITABILITY OF THE MOTOR FOR THE APPLICATION MUST BE DETERMINED BY THE CUSTOMER.</small>			PROCESS/FINISH	
<small>PROPRIETARY AND CONFIDENTIAL INFORMATION - THIS DOCUMENT IS THE PROPERTY OF REGAL-BELOIT CORPORATION. ANY PERSON, CORPORATION OR OTHER FIRM RECEIVING IT IS DEEMED TO HAVE AGREED TO HOLD THIS INFORMATION IN CONFIDENCE AND TO RETURN IT TO REGAL-BELOIT CORPORATION UPON REQUEST. IT MAY BE SUBJECT TO CERTAIN RESTRICTIONS UNDER APPLICABLE EXPORT CONTROL LAWS AND REGULATIONS.</small>			THIRD ANGLE PROJECTION	SIZE DWG NO
			C	FE1038SU
				SHEET 1