

# PRODUCT INFORMATION PACKET



Model No:  
Catalog No: FE1008SU  
1/8 HP,825 RPM,208-230V,48FR,CENTURY HEATMASTER ULTRA MOTOR  
Condenser Fans



Regal and Century are trademarks of Regal Beloit Corporation or one of its affiliated companies.  
©2019 Regal Beloit Corporation, All Rights Reserved. MC017097E





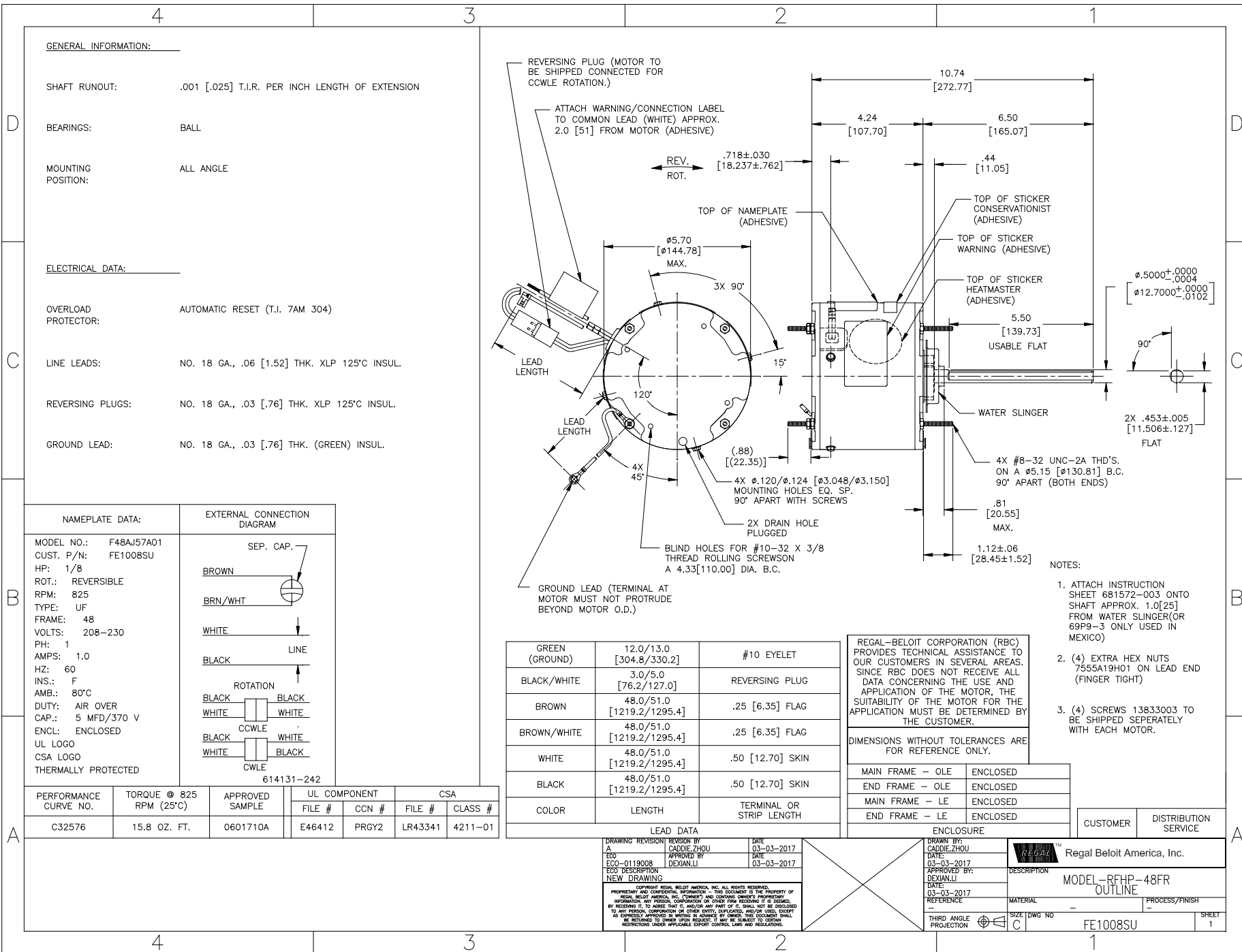
### Nameplate Specifications

Output HP	<b>1/8 HP</b>	Output KW	<b>0.10 kW</b>
Frequency	<b>60 Hz</b>	Voltage	<b>208-230 V</b>
Current	<b>1.0 A</b>	Speed	<b>825 RPM</b>
Service Factor	<b>1</b>	Phase	<b>1</b>
Duty	<b>Air Over</b>	Insulation Class	<b>F</b>
Frame	<b>48</b>	Enclosure	<b>Totally Enclosed</b>
Overload Protector	<b>Automatic</b>	Ambient Temperature	<b>80 °C</b>
UL	<b>Recognized</b>	CSA	<b>Y</b>
CE	<b>N</b>		

### Technical Specifications

Electrical Type	<b>Permanent Split Capacitor</b>	Starting Method	<b>Induction Run</b>
Poles	<b>8</b>	Rotation	<b>Reversible</b>
Mounting	<b>Extended Studs</b>	Motor Orientation	<b>Any</b>
Drive End Bearing	<b>Ball</b>	Opp Drive End Bearing	<b>Ball</b>
Frame Material	<b>Rolled Steel</b>	Shaft Type	<b>Flat</b>
Overall Length	<b>11.62 in</b>	Frame Length	<b>3.63 in</b>
Shaft Diameter	<b>0.500 in</b>	Shaft Extension	<b>6.5 in</b>
Outline Drawing	<b>FE1008SU-S01</b>	Connection Diagram	<b>614131-242</b>

This is an uncontrolled document once printed or downloaded and is subject to change without notice. Date Created: 10/17/2019



GENERAL INFORMATION:

SHAFT RUNOUT: .001 [.025] T.I.R. PER INCH LENGTH OF EXTENSION

BEARINGS: BALL

MOUNTING POSITION: ALL ANGLE

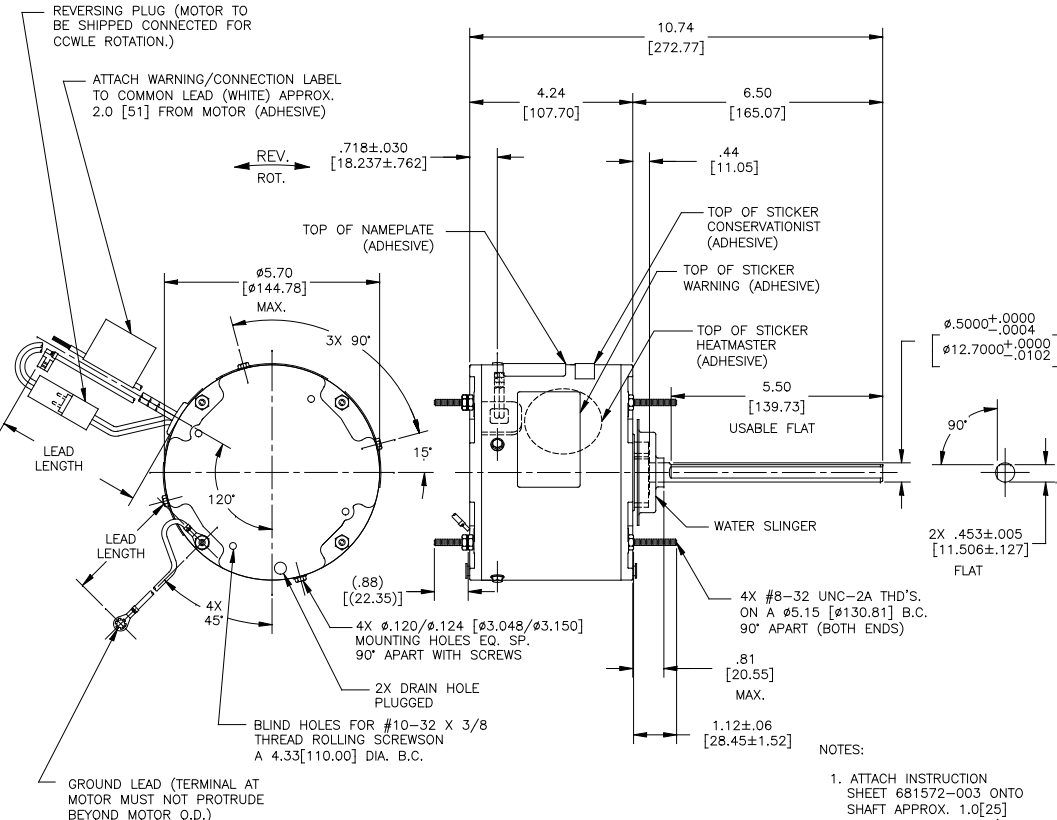
ELECTRICAL DATA:

OVERLOAD PROTECTOR: AUTOMATIC RESET (T.I. 7AM 304)

LINE LEADS: NO. 18 GA., .06 [1.52] THK. XLP 125°C INSUL.

REVERSING PLUGS: NO. 18 GA., .03 [.76] THK. XLP 125°C INSUL.

GROUND LEAD: NO. 18 GA., .03 [.76] THK. (GREEN) INSUL.

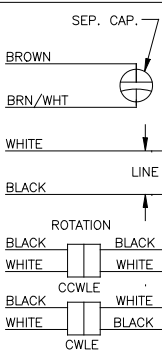


- NOTES:
- ATTACH INSTRUCTION SHEET 681572-003 ONTO SHAFT APPROX. 1.0[25] FROM WATER SLINGER(OR 69P9-3 ONLY USED IN MEXICO)
  - (4) EXTRA HEX NUTS 7555A19H01 ON LEAD END (FINGER TIGHT)
  - (4) SCREWS 13833003 TO BE SHIPPED SEPARATELY WITH EACH MOTOR.

NAMEPLATE DATA:

MODEL NO.: F48AJ57A01  
 CUST. P/N: FE1008SU  
 HP: 1/8  
 ROT.: REVERSIBLE  
 RPM: 825  
 TYPE: UF  
 FRAME: 48  
 VOLTS: 208-230  
 PH: 1  
 AMPS: 1.0  
 HZ: 60  
 INS.: F  
 AMB.: 80°C  
 DUTY: AIR OVER  
 CAP.: 5 MFD/370 V  
 ENCL: ENCLOSED  
 UL LOGO  
 CSA LOGO  
 THERMALLY PROTECTED

EXTERNAL CONNECTION DIAGRAM



GREEN (GROUND)	12.0/13.0 [304.8/330.2]	#10 EYELET
BLACK/WHITE	3.0/5.0 [76.2/127.0]	REVERSING PLUG
BROWN	48.0/51.0 [1219.2/1295.4]	.25 [6.35] FLAG
BROWN/WHITE	48.0/51.0 [1219.2/1295.4]	.25 [6.35] FLAG
WHITE	48.0/51.0 [1219.2/1295.4]	.50 [12.70] SKIN
BLACK	48.0/51.0 [1219.2/1295.4]	.50 [12.70] SKIN
COLOR	LENGTH	TERMINAL OR STRIP LENGTH

REGAL-BELOIT CORPORATION (RBC) PROVIDES TECHNICAL ASSISTANCE TO OUR CUSTOMERS IN SEVERAL AREAS. SINCE RBC DOES NOT RECEIVE ALL DATA CONCERNING THE USE AND APPLICATION OF THE MOTOR, THE SUITABILITY OF THE MOTOR FOR THE APPLICATION MUST BE DETERMINED BY THE CUSTOMER.

DIMENSIONS WITHOUT TOLERANCES ARE FOR REFERENCE ONLY.

MAIN FRAME - OLE	ENCLOSED
END FRAME - OLE	ENCLOSED
MAIN FRAME - LE	ENCLOSED
END FRAME - LE	ENCLOSED

PERFORMANCE CURVE NO.	TORQUE @ 825 RPM (25°C)	APPROVED SAMPLE	UL COMPONENT	CSA
C32576	15.8 OZ. FT.	0601710A	E46412 PRGY2	LR43341 4211-01

LEAD DATA

DRAWING REVISION	REVISION BY	DATE
A	CADDIE ZHOU	03-03-2017
ECO	APPROVED BY	DATE
ECO-0119008	DEXIAN LI	03-03-2017
ECO DESCRIPTION		
NEW DRAWING		

REGAL-BELOIT AMERICA, INC. ALL RIGHTS RESERVED.  
 PROPRIETARY AND CONFIDENTIAL INFORMATION - THIS DOCUMENT IS THE PROPERTY OF REGAL-BELOIT AMERICA, INC. CONSENT AND CONFIRMED CONFIDENTIALITY OF INFORMATION BY ANY PERSON, CORPORATION OR OTHER ENTITY RECEIVING IT IS REQUIRED BY RECEIVING IT. TO AGREE THAT IT AND/OR ANY PART OF IT SHALL NOT BE DISCLOSED TO ANY PERSON, CORPORATION OR OTHER ENTITY WITHOUT THE WRITTEN CONSENT AS EXPRESSLY APPROVED IN WRITING IN ADVANCE BY OWNER. THIS DOCUMENT SHALL BE RETURNED TO OWNER UPON REQUEST. IT MAY BE SUBJECT TO CUSTOMER RESTRICTIONS UNDER APPLICABLE EXPORT CONTROL LAWS AND REGULATIONS.

ENCLOSURE

DRAWN BY:	CADDIE ZHOU
DATE:	03-03-2017
APPROVED BY:	DEXIAN LI
DATE:	03-03-2017
REFERENCE:	
MATERIAL:	
PROCESS/FINISH:	
THIRD ANGLE PROJECTION	

Regal Beloit America, Inc.

MODEL-RFPH-48FR OUTLINE

FE1008SU

SHEET 1