

PRODUCT INFORMATION PACKET



Model No:
Catalog No: BG855A
MODEL-PFHP-56FR
Induction Motors



Regal and Century are trademarks of Regal Beloit Corporation or one of its affiliated companies.
©2019 Regal Beloit Corporation, All Rights Reserved. MC017097E





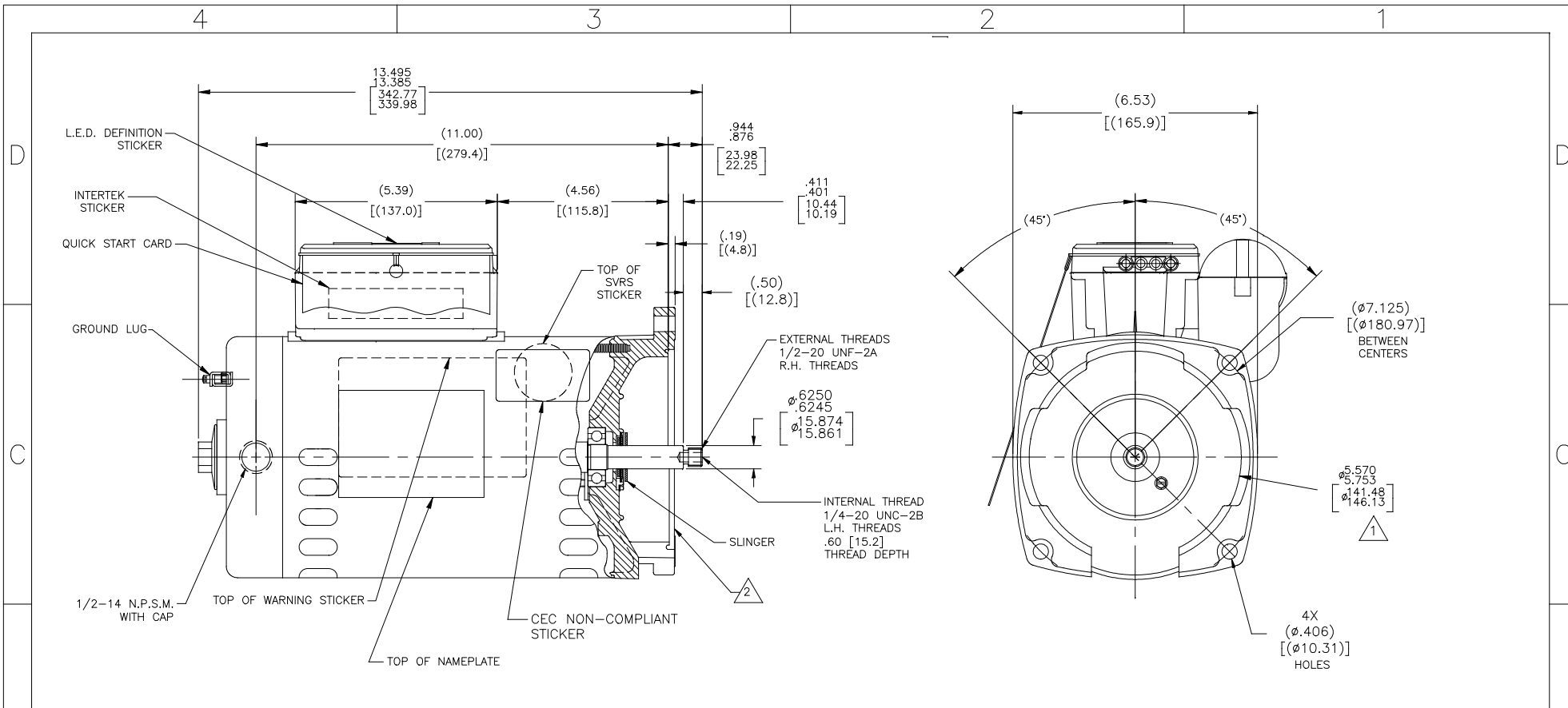
Nameplate Specifications

Output HP	2.0 HP	Output KW	1.5 kW
Frequency	60 Hz	Voltage	230 V
Current	SF 10.0 A	Speed	3450 RPM
Service Factor	1.1	Phase	1
Duty	Continuous	Insulation Class	B
Frame	Y56Y	Enclosure	Drip Proof
Overload Protector	Thermally Protected	Ambient Temperature	50 °C
UL	Recognized	CSA	Y

Technical Specifications

Electrical Type	Permanent Split Capacitor, Single Or Dual Voltage	Poles	2
Rotation	Counterclockwise Pump End	Mounting	Square Flange
Motor Orientation	Horizontal	Drive End Bearing	BALL
Opp Drive End Bearing	BALL	Frame Material	Rolled Steel
Shaft Type	Threaded	Overall Length	13.44 in
Frame Length	9.00 in	Shaft Diameter	0.625 in
Shaft Extension	0.944 in		
Outline Drawing	BG855A-S01	Connection Diagram	17050319.PCX

This is an uncontrolled document once printed or downloaded and is subject to change without notice. Date Created: 10/17/2019



NAMEPLATE DATA	EXTERNAL CONNECTION DIAGRAM	NOTES
MODEL: F56AA34A01 CUST PN: BG855A HP: 2.0 SF: 1.10 ROT: CCWPE RPM: 3450 TYPE: CX FORM: CODE: F VOLTS: 230 FRAME: Y56Y AMPS: MAX AMPS: SF AMPS: 10.0 PH: 1 HZ: 60 INS: B AMB: 50°C DUTY: CONT ENCLOSURE: ODP THERMALLY PROTECTED		<ul style="list-style-type: none"> ⚠ PILOT DIAMETER IS CONCENTRIC WITH SHAFT CENTERLINE WITHIN .006[1.5] T.I.R. ⚠ FACE OF MOUNTING FLANGE IS PERPENDICULAR TO SHAFT CENTERLINE WITHIN .004[.10] T.I.R. 3. SHAFT RUNOUT NOT TO EXCEED .002[.05] T.I.R 4. FOR THREADED SHAFT EXT. MATING PARTS SHOULD BE RELIEVED ONE THREAD TO CLEAR FILLET 5. FOR THREADED SHAFT EXT. ECCENTRICITY OF THREADED PORTION OF SHAFT IS HELD WITHIN .004[.10] TOTAL GAGE READING WITH THE INDICATOR ON O.D. OF GROUND RING GAGE AS SHOWN. THE GAGE BEING STATIONARY WITH RESPECT TO THE ROTOR. 6. END PLAY NOT TO EXCEED .010[.25] MEASURED WITH NO THRUST 7. ALL DIMENSIONS SHOWN IN PARENTHESIS ARE REFERENCE DIMENSIONS. 8. FINISH PAINT TO BE SATIN BLACK

PERFORMANCE CURVE	APPROVED SAMPLE
18014311	
UL COMPONENT	CSA
FILE#	GUIDE#
PENDING	PENDING
CUSTOMER	DISTRIBUTION SERVICES

DRAWING REVISION	REVISION BY	DATE	TOLERANCES UNLESS OTHERWISE SPECIFIED	DRAWN BY:	Regal Beloit America, Inc.
F	G. RODRIGUEZ	04-25-2019	DEC. INCH mm ANGLE	JHENRY	
ECO	APPROVED BY	DATE	.XX ±0.1 [±2.5] ±0.5°	DATE:	
ECO-0165900	G. RODRIGUEZ	04-25-2019	.XX ±0.02 [±0.51]	APPROVED BY:	
SEE ECO			.XXX ±0.005 [±0.127]	DATE:	
<small>COPYRIGHT REGAL BELOIT AMERICA, INC. ALL RIGHTS RESERVED. PROPRIETARY AND CONFIDENTIAL INFORMATION - THIS DOCUMENT IS THE PROPERTY OF REGAL BELOIT AMERICA, INC. (OWNER) AND CONTAINS OWNER'S PROPRIETARY INFORMATION. ANY REPRODUCTION OR OTHER USE WITHOUT THE WRITTEN PERMISSION OF REGAL BELOIT AMERICA, INC. IS STRICTLY PROHIBITED. BY RECEIVING IT, TO AGREE THAT IT, AND/OR ANY PART OF IT, SHALL NOT BE DISCLOSED TO ANY PERSON, CORPORATION OR OTHER ENTITY, SUPPLIER, AND/OR USER EXCEPT AS EXPRESSLY APPROVED IN WRITING BY OWNER. THIS DOCUMENT SHALL BE RETURNED TO OWNER UPON REQUEST. IT MAY BE SUBJECT TO CERTAIN RESTRICTIONS UNDER APPLICABLE EXPORT CONTROL LAWS AND REGULATIONS.</small>			REMOVE BURRS & BREAK SHARP EDGES .003/.015 [0.076/.381] CORNER FILLETS .02 [.51] MACHINED SURFACES INCH mm THIRD ANGLE PROJECTION	REFERENCE MATERIAL PROCESS/FINISH	DESCRIPTION OUTLINE
			mm SHOWN IN BRACKETS	SIZE DWG NO. BG855A	SHEET 1