

# PRODUCT INFORMATION PACKET



Model No:  
Catalog No: BG748A  
MODEL-PFHP-56FR  
Induction Motors



Regal and Century are trademarks of Regal Beloit Corporation or one of its affiliated companies.  
©2019 Regal Beloit Corporation, All Rights Reserved. MC017097E





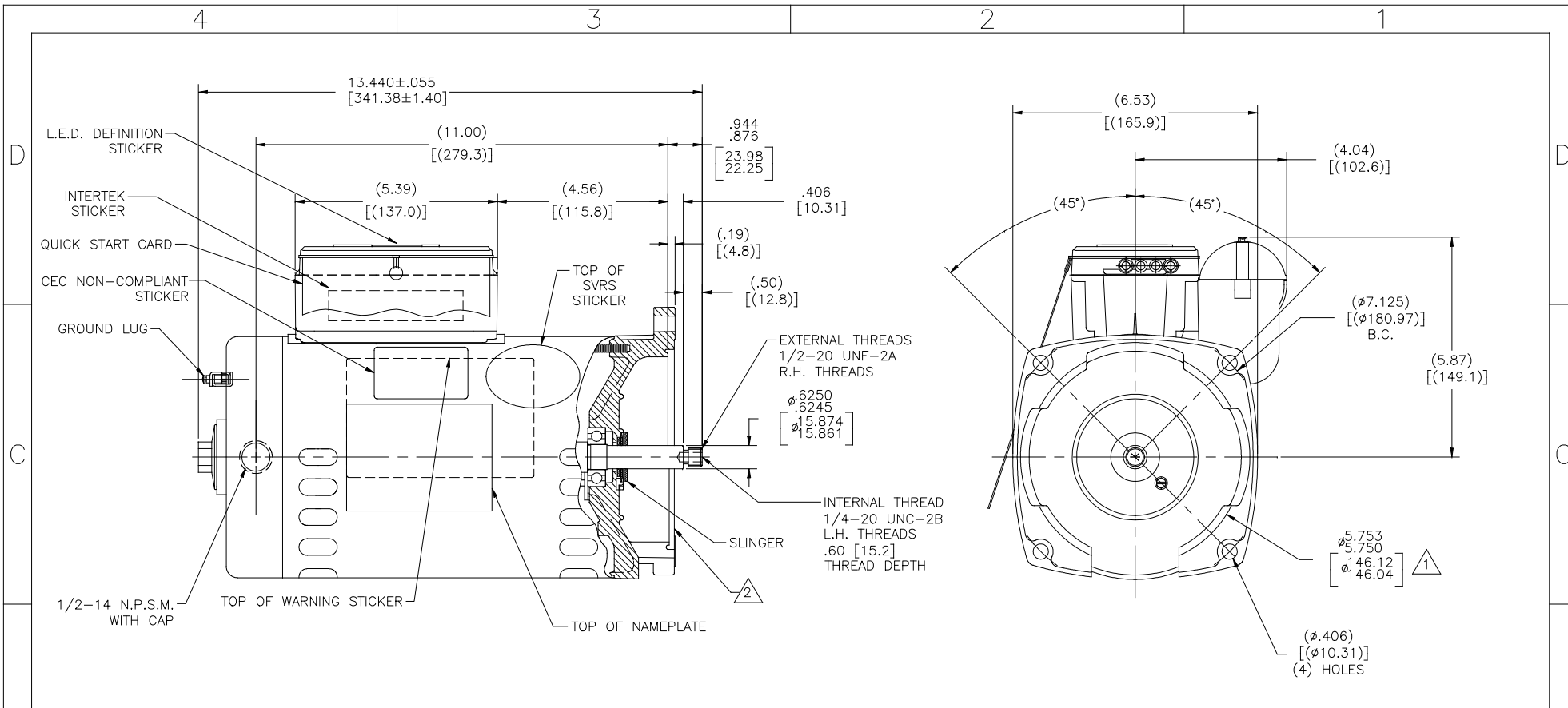
### Nameplate Specifications

Output HP	<b>2.0 HP</b>	Output KW	<b>1.5 kW</b>
Frequency	<b>60 Hz</b>	Voltage	<b>230 V</b>
Current	<b>SF 11.5 A</b>	Speed	<b>3450 RPM</b>
Service Factor	<b>1.3</b>	Phase	<b>1</b>
Duty	<b>Continuous</b>	Insulation Class	<b>B</b>
Frame	<b>Y56Y</b>	Enclosure	<b>Drip Proof</b>
Overload Protector	<b>Thermally Protected</b>	Ambient Temperature	<b>50 °C</b>
UL	<b>Recognized</b>	CSA	<b>Y</b>

### Technical Specifications

Electrical Type	<b>Permanent Split Capacitor, Single Or Dual Voltage</b>	Poles	<b>2</b>
Rotation	<b>Counterclockwise Pump End</b>	Mounting	<b>Square Flange</b>
Motor Orientation	<b>Horizontal</b>	Drive End Bearing	<b>BALL</b>
Opp Drive End Bearing	<b>BALL</b>	Frame Material	<b>Rolled Steel</b>
Shaft Type	<b>Threaded</b>	Overall Length	<b>13.44 in</b>
Frame Length	<b>9.00 in</b>	Shaft Diameter	<b>0.625 in</b>
Shaft Extension	<b>0.944 in</b>		
Outline Drawing	<b>BG748A-S01</b>	Connection Diagram	<b>17050319.PCX</b>

This is an uncontrolled document once printed or downloaded and is subject to change without notice. Date Created: 10/17/2019



NAMEPLATE DATA	EXTERNAL CONNECTION DIAGRAM	NOTES
MODEL: F56AA43A01 CUST_PN: BG748A HP: 2.0 SF: 1.30 ROT: CCWPE RPM: 3450 TYPE: CX FORM: KJM VOLTS: 230 AMPS: MAX AMPS: SF AMPS: 11.5 PH: 1 HZ: 60 INS: B AMB: 50°C DUTY: CONT ENCLOSURE: ODP THERMALLY PROTECTED		<ul style="list-style-type: none"> <li>⚠ PILOT DIAMETER IS CONCENTRIC WITH SHAFT CENTERLINE WITHIN .006 T.I.R.</li> <li>⚠ FACE OF MOUNTING FLANGE IS PERPENDICULAR TO SHAFT CENTERLINE WITHIN .004 T.I.R.</li> <li>3. SHAFT RUNOUT NOT TO EXCEED .002 T.I.R</li> <li>4. FOR THREADED SHAFT EXT. MATING PARTS SHOULD BE RELIEVED ONE THREAD TO CLEAR FILLET</li> <li>5. FOR THREADED SHAFT EXT. ECCENTRICITY OF THREADED PORTION OF SHAFT IS HELD WITHIN .004 TOTAL GAGE READING WITH THE INDICATOR ON O.D. OF GROUND RING GAGE AS SHOWN, THE GAGE BEING STATIONARY WITH RESPECT TO THE ROTOR.</li> <li>6. END PLAY NOT TO EXCEED .010 MEASURED WITH NO THRUST</li> <li>7. ALL DIMENSIONS SHOWN IN PARENTHESIS ARE REFERENCE DIMENSIONS.</li> <li>8. FINISH PAINT TO BE SATIN BLACK</li> </ul>

PERFORMANCE CURVE	APPROVED SAMPLE		
15593311			
UL COMPONENT	CSA		
FILE#	CCN#	FILE#	GUIDE#
PENDING	PENDING	PENDING	PENDING
CUSTOMER	DISTRIBUTION SERVICES		

DRAWING REVISION	REVISION BY	DATE	TOLERANCES UNLESS OTHERWISE SPECIFIED	DRAWN BY:	Regal-Beloit America, Inc.			
E	G. RODRIGUEZ	04-25-2019	DEC. INCH mm ANGLE	JHENRY				
ECO	APPROVED BY	DATE	.XX ±0.1 [±2.5]	DATE:	06-11-2009			
ECO-0165900	G. RODRIGUEZ	04-25-2019	.XX ±0.02 [±0.51]	APPROVED BY:				
SEE ECO			.XXX ±0.005 [±0.127]	DATE:				
<small>COPYRIGHT REGAL BELOIT AMERICA, INC. ALL RIGHTS RESERVED. PROPRIETARY AND CONFIDENTIAL INFORMATION - THIS DOCUMENT IS THE PROPERTY OF REGAL BELOIT AMERICA, INC. ("OWNER") AND CONTAINS OWNER'S PROPRIETARY INFORMATION. ANY REPRODUCTION, COPIATION OR OTHER USE WITHOUT THE WRITTEN PERMISSION OF REGAL BELOIT AMERICA, INC. IS STRICTLY PROHIBITED. BY RECEIVING IT, TO AGREE THAT IT AND/OR ANY PART OF IT SHALL NOT BE DISCLOSED TO ANY PERSON, CORPORATION OR OTHER ENTITY, SUPPLIER, AND/OR USER EXCEPT AS EXPRESSLY APPROVED IN WRITING BY OWNER. THIS DOCUMENT SHALL BE RETURNED TO OWNER UPON REQUEST. IT MAY BE SUBJECT TO CUSTOMER RESTRICTIONS UNDER APPLICABLE EXPORT CONTROL LAWS AND REGULATIONS.</small>			REMOVE BURRS & BREAK SHARP EDGES .003/.015 [076/.381] CORNER FILLETS .02 [.51] MACHINED SURFACES TH/ INCH mm/3rd MACHINED SURFACES TH/ mm SHOWN IN BRACKETS	DESCRIPTION MODEL-PFHP-56FR OUTLINE	PROCESS/FINISH			
CUSTOMER	DISTRIBUTION SERVICES			THIRD ANGLE PROJECTION	SIZE DWG NO	BG748A	SHEET	1