

# PRODUCT INFORMATION PACKET



Model No:  
Catalog No: BG2844A  
MODEL-PFHP-56FR  
Induction Motors



Regal and Century are trademarks of Regal Beloit Corporation or one of its affiliated companies.  
©2019 Regal Beloit Corporation, All Rights Reserved. MC017097E





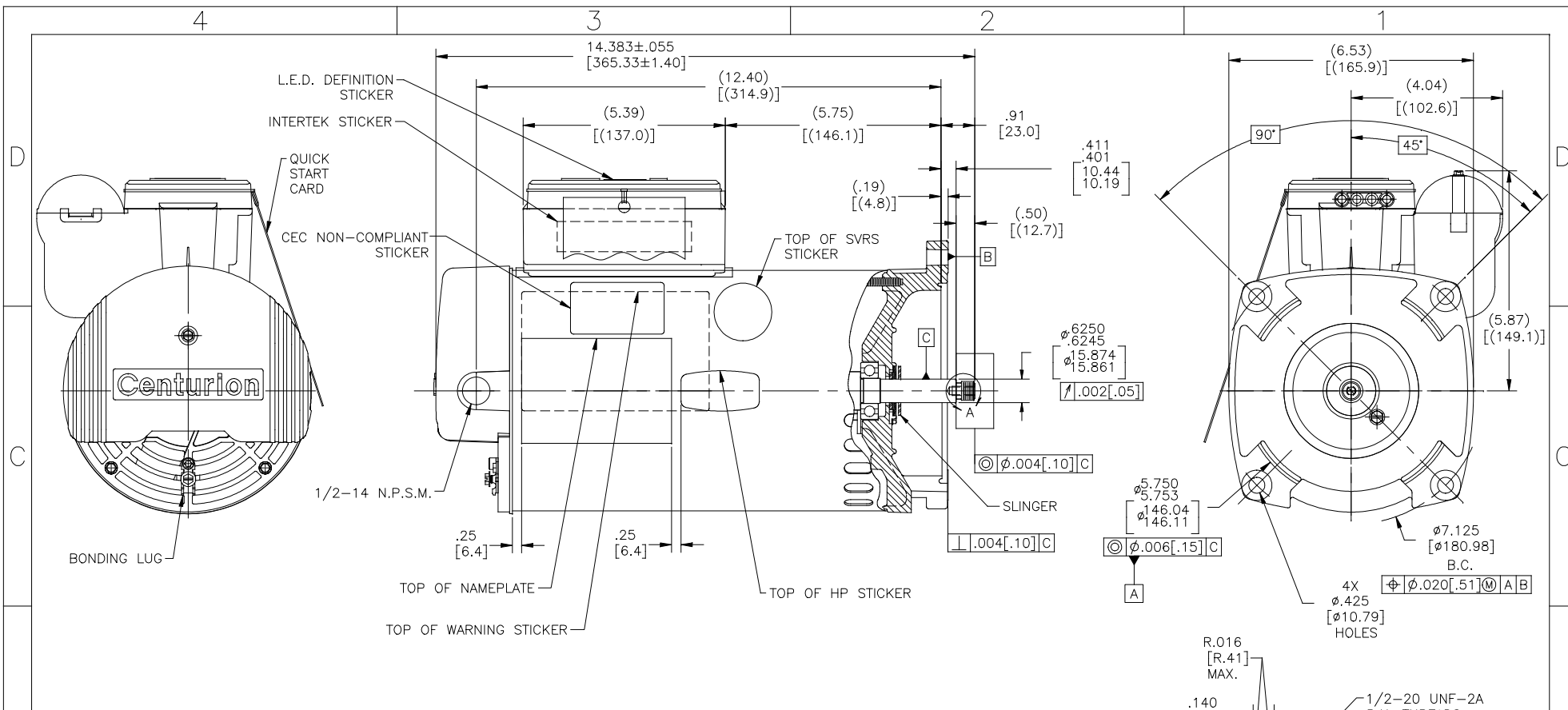
**Nameplate Specifications**

Output HP	<b>3.0 HP</b>	Output KW	<b>2.2 kW</b>
Frequency	<b>60 Hz</b>	Voltage	<b>208-230 V</b>
Current	<b>SF 15.0-13.6 A</b>	Speed	<b>3450 RPM</b>
Service Factor	<b>1.15</b>	Phase	<b>1</b>
Duty	<b>Continuous</b>	Insulation Class	<b>F</b>
Frame	<b>Y56Y</b>	Enclosure	<b>Drip Proof</b>
Overload Protector	<b>Thermally Protected</b>	Ambient Temperature	<b>50 °C</b>
UL	<b>Recognized</b>	CSA	<b>Y</b>

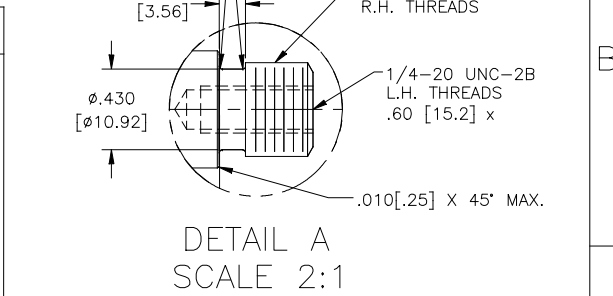
**Technical Specifications**

Electrical Type	<b>Permanent Split Capacitor, Single Or Dual Voltage</b>	Poles	<b>2</b>
Rotation	<b>Counterclockwise Pump End</b>	Mounting	<b>Square Flange</b>
Motor Orientation	<b>Horizontal</b>	Drive End Bearing	<b>BALL</b>
Opp Drive End Bearing	<b>BALL</b>	Frame Material	<b>Rolled Steel</b>
Shaft Type	<b>Threaded</b>	Overall Length	<b>14.38 in</b>
Frame Length	<b>10.00 in</b>	Shaft Diameter	<b>0.625 in</b>
Shaft Extension	<b>0.91 in</b>		
Outline Drawing	<b>BG2844A-S01</b>	Connection Diagram	<b>17536730.PCX</b>

**This is an uncontrolled document once printed or downloaded and is subject to change without notice. Date Created: 10/17/2019**



NAMEPLATE DATA	EXTERNAL CONNECTION DIAGRAM	NOTES
MODEL: F56AA44A01 CUST PN: BG2844A HP: 3.0 SF: 1.15 ROT: CCWPE RPM: 3450 TYPE: CX CODE: G FORM: KJM FRAME: Y 56 Y VOLTS: 208-230 AMPS: MAX AMPS: SF AMPS: 15.0-13.6 PH: 1 HZ: 60 INS: F AMB: 50°C DUTY: CONT ENCLOSURE: ODP THERMALLY PROTECTED	<p>175367-30</p> <p>USE COPPER CONDUCTORS ONLY. INSTALL MOTOR WITH VENTS DOWN. ACCEPTABLE FOR FIELD WIRING</p>	<ol style="list-style-type: none"> <li>FOR THREADED SHAFT EXT. ECCENTRICITY OF OF THREADED PORTION OF SHAFT IS HELD WITHIN .004[.10] TOTAL GAGE READING WITH THE INDICATOR ON O.D. OF GROUND RING GAGE AS SHOWN, THE GAGE BEING STATIONARY WITH RESPECT TO THE ROTOR.</li> <li>END PLAY NOT TO EXCEED .010[.25] MEASURED WITH NO THRUST</li> <li>ALL DIMENSIONS SHOWN IN PARENTHESIS ARE REFERENCE DIMENSIONS.</li> <li>FINISH PAINT TO BE BLACK.</li> </ol>



PERFORMANCE CURVE	APPROVED SAMPLE		
15530401			
UL COMPONENT	CSA		
FILE#	CCN#	FILE#	GUIDE#
PENDING	PENDING	PENDING	PENDING
CUSTOMER	DISTRIBUTION		

DRAWING REVISION	REVISION BY	DATE	TOLERANCES UNLESS OTHERWISE SPECIFIED	DRAWN BY:	Regal Beloit America, Inc.
D	G. RODRIGUEZ	04-25-2019	DEC. INCH mm ANGLE	JHENRY	
ECO	APPROVED BY	DATE	X ±0.1 [±2.5] ±0.5	DATE:	07-06-2009
ECO-0165900	G. RODRIGUEZ	04-25-2019	JXX ±0.02 [±0.51]	APPROVED BY:	
SEE ECO			JXXX ±0.005 [±0.127]	DATE:	
			JXXX ±0.0005 [±0.0127]	REFERENCE:	MATERIAL
			REMOVE BURRS & BREAK SHARP EDGES .003/.015 [0.076/.381] X 45° CORNER FILLETS R.02 [5.1]	PROCESS/FINISH	
			MACHINED SURFACES	THIRD ANGLE PROJECTION	SIZE DWG NO
			INCH mm		BG2844A
			mm SHOWN IN BRACKETS		SHEET
					1

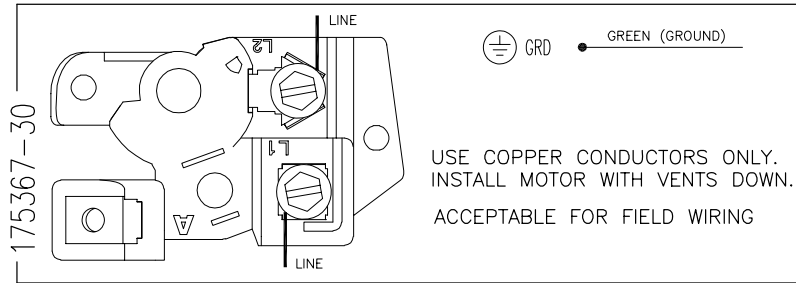
4

3

2

1

REV	ECO	REV BY	DATE	APPD	DATE
B	0021650	Cherry.Zhang	07-15-2011	Hong.Zhu	07-15-2011



(230 VOLTAGE SINGLE SPEED)

NOTES:

- 1) DOTTED BOX REPRESENTS TOTAL PRINTED AREA ALLOWED FOR CONNECTION DIAGRAM TO FIT IN (2.13[54.1] X .75[19.0]). SEE NAMEPLATE DRAWING 170500 OR 170501 FOR LOCATION.
- 2) CHARACTERS ARE TO BE A MINIMUM OF .03[.8] TO .06[1.5] MAXIMUM IN HEIGHT
- 3) DETAILS ARE NOT TO BE COPIED FROM DRAWING, BUT ARE TO BE REPRODUCED FROM ORIGINAL ARTWORK FURNISHED.
- 4) FUTURE DETAILS ARE TO BE PLACED ON D0000112

GEOMETRIC CHARACTERISTICS & SYMBOLS ▭ FLATNESS — STRAIGHTNESS ∠ ANGULARITY ⊥ PERPENDICULARITY (SQUARENESS) // PARALLELISM ○ ROUNDNESS (CIRCULARITY) ⌀ CYLINDRICITY ∩ PROFILE OF ANY SURFACE ∩ PROFILE OF ANY LINE † RUNOUT ⊕ TRUE POSITION ⊙ CONCENTRICITY ≡ SYMMETRY	UNLESS OTHERWISE SPECIFIED DIM. TOLERANCES ARE AS FOLLOWS: INCH X XX XXX XXXX ±.1 ±.02 ±.005 ±.0005 mm ±0.5 ±0.13 ±0.013 ANG. ±.50 DEG REMOVE BURRS & BREAK SHARP EDGES: INCH .003-.015 mm 0.1-.04 CORNER FILLETS TO: INCH .020 mm 0.5 MACHINE SURFACES: INCH 125 mm 3.2 METRIC DIMS. SHOWN IN [BRACKETS]	DR BY: Cherry.Zhang	07-15-2011		ELECTRICAL PRODUCTS COMPANY A DIVISION OF A.O. SMITH CORPORATION
		APPD: Hong.Zhu	07-15-2011		
		THIRD ANGLE PROJECTION	EDS DATE 02-22-2008 FORMAT REV F	SIZE C	DWG NO 17536730
		CONFIDENTIAL: THIS DRAWING AND ITS INFORMATION ARE THE EXCLUSIVE AND CONFIDENTIAL PROPERTY OF A.O. SMITH CORP. AND ARE NOT TO BE DISCLOSED, DUPLICATED, DISTRIBUTED OR OTHERWISE USED WITHOUT THE WRITTEN CONSENT OF A.O. SMITH CORP. -ALL RIGHTS RESERVED. ASME Y14.5M 1994		SCALE NONE	SHEET 1

4

3

2

1

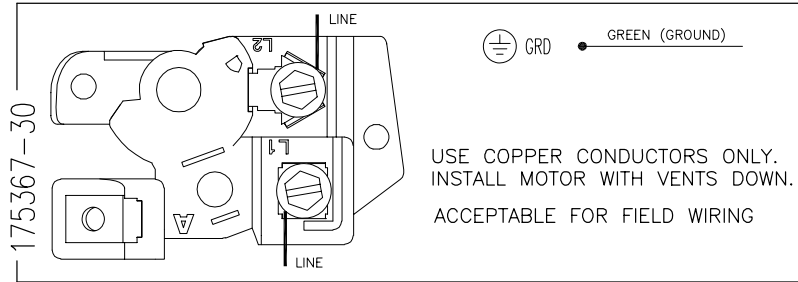
4

3

2

1

REVISION:	ECO	REVISADO POR:	FECHA:	APROBADO POR:	FECHA:
B	0021650	Cherry.Zhang	07-15-2011	Hong.Zhu	07-15-2011



USE COPPER CONDUCTORS ONLY.  
INSTALL MOTOR WITH VENTS DOWN.  
ACCEPTABLE FOR FIELD WIRING

175367-30

(230 VOLTAGE SINGLE SPEED)

CARACTERISTICAS DE GEOMETRIA Y SIMBOLOS ▽ PLANICIDAD — RECTITUD ∠ ANGULARIDAD ⊥ PERPENDICULARIDAD (A ESCUADRA) // PARALELISMO ○ REDONDEZ (CIRCULARIDAD) ⌀ CILINDRICIDAD ~ PERFIL DE CUALQUIER SUPERFICIE ^ PERFIL DE CUALQUIER LINEA † VARIACION ⊕ POSICION REAL ⊙ CONCENTRICIDAD ≡ SIMETRIA	A MENOS QUE SE ESPECIFIQUE DE OTRA MANERA, LAS TOLERANCIAS DE LAS DIMS. SON LAS SIGUIENTES: PULG ±.1 ±.02 ±.005 ±.0005 mm ±0.5 ±0.13 ±0.013 ANG. ±.50 GRADOS ELIMINAR REBASAS Y ORILLAS FILOSAS DEL BORDE. FILETEAR ESQUINA: PULG .020 mm 0.5 MAQUINAR SUPERFICIES PULG 125 mm 3.2 DIMS METRICAS MOSTRADAS [PARENTESIS]	DIBUJADO POR: Cherry.Zhang 07-15-2011	ACO Smith <i>Innovation has a name.</i> <b>ELECTRICAL PRODUCTS COMPANY</b> A DIVISION OF A.O. SMITH CORPORATION
		APROBADO POR: Hong.Zhu 07-15-2011	
		TERCER ANGULO DE PROYECCION	FECHA EDS: 02-22-2008 REV. FORMATO: F
		CONFIDENCIAL: ESTE DIBUJO Y SU INFORMACION SON PROPIEDAD DE USO EXCLUSIVO Y CONFIDENCIAL DE A.O.SMITH CORP. Y NO DEBERAN SER REVELADOS. DUPLICADOS, DISTRIBUIDOS O USARSE DE OTRA MANERA SIN EL CONSENTIMIENTO ESCRITO DE A.O. SMITH CORP. -TODOS LOS DERECHOS RESERVADOS.ASME Y14.5M 1994	TAMANO: C NUMERO DE DIBUJO: 17536730
		ESCALA: NONE	HOJA: 1

4

3

2

1

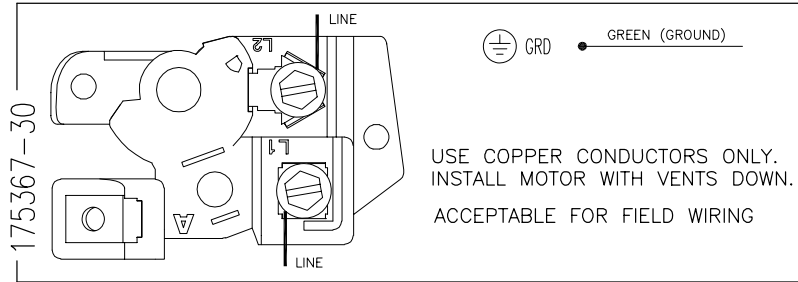
4

3

2

1

版本	ECO	编制	日期	批准	日期
B	0021650	Cherry.Zhang	07-15-2011	Hong.Zhu	07-15-2011



(230 VOLTAGE SINGLE SPEED)

形位公差 □ 平面度 — 直线度 ∠ 倾斜度 ⊥ 垂直度 // 平行度 ○ 圆度 ⊙ 圆跳动 Ⓜ 面轮廓度 Ⓡ 圆轮廓度 Ⓢ 圆跳动 Ⓣ 位置度 Ⓤ 同轴度 ≡ 对称度	除另有注明 尺寸公差如下: 英寸 X XX XXX XXXX 毫米 ±.1 ±.02 ±.005 ±.0005 角度 ±.50 度 清理毛刺和尖棱 英寸 .003-.015 毫米 0.1-0.4 内圆角 英寸 .020 毫米 0.5 表面粗糙度 英制 125 米制 3.2 米制尺寸显示在[]	绘图: Cherry.Zhang 07-15-2011 批准: Hong.Zhu 07-15-2011 第三角投影	图框格式发布日期 02-22-2008 图框格式版本 F	名称 <b>ACSmith</b> <b>ELECTRICAL PRODUCTS COMPANY</b> Innovation has a name. A DIVISION OF A. O. SMITH CORPORATION CONN DIAGRAM-NAMEPLATE
	机密: 本图纸及相关信息所有权归A. O. SMITH公司所有。 未经A. O. SMITH公司书面授权, 不得泄露、复制、传播或作 其他用途。—版权所有	图幅 C 图号 17536730	比例 NONE 页号 1	
	ASME Y14.5M 1994	图幅 C 图号 17536730	比例 NONE 页号 1	
	ASME Y14.5M 1994	图幅 C 图号 17536730	比例 NONE 页号 1	

4

3

2

1