

# PRODUCT INFORMATION PACKET



Model No:  
Catalog No: BG131A  
MODEL-PFHP-56FR  
Induction Motors



Regal and Century are trademarks of Regal Beloit Corporation or one of its affiliated companies.  
©2019 Regal Beloit Corporation, All Rights Reserved. MC017097E





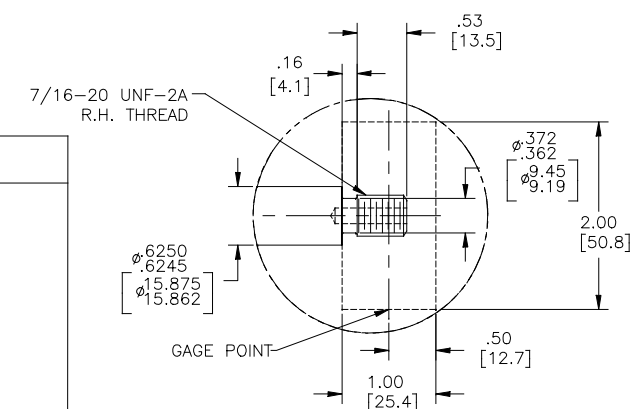
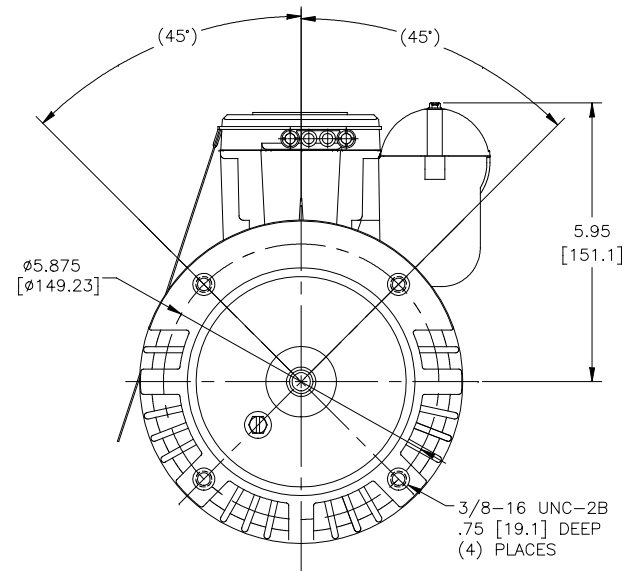
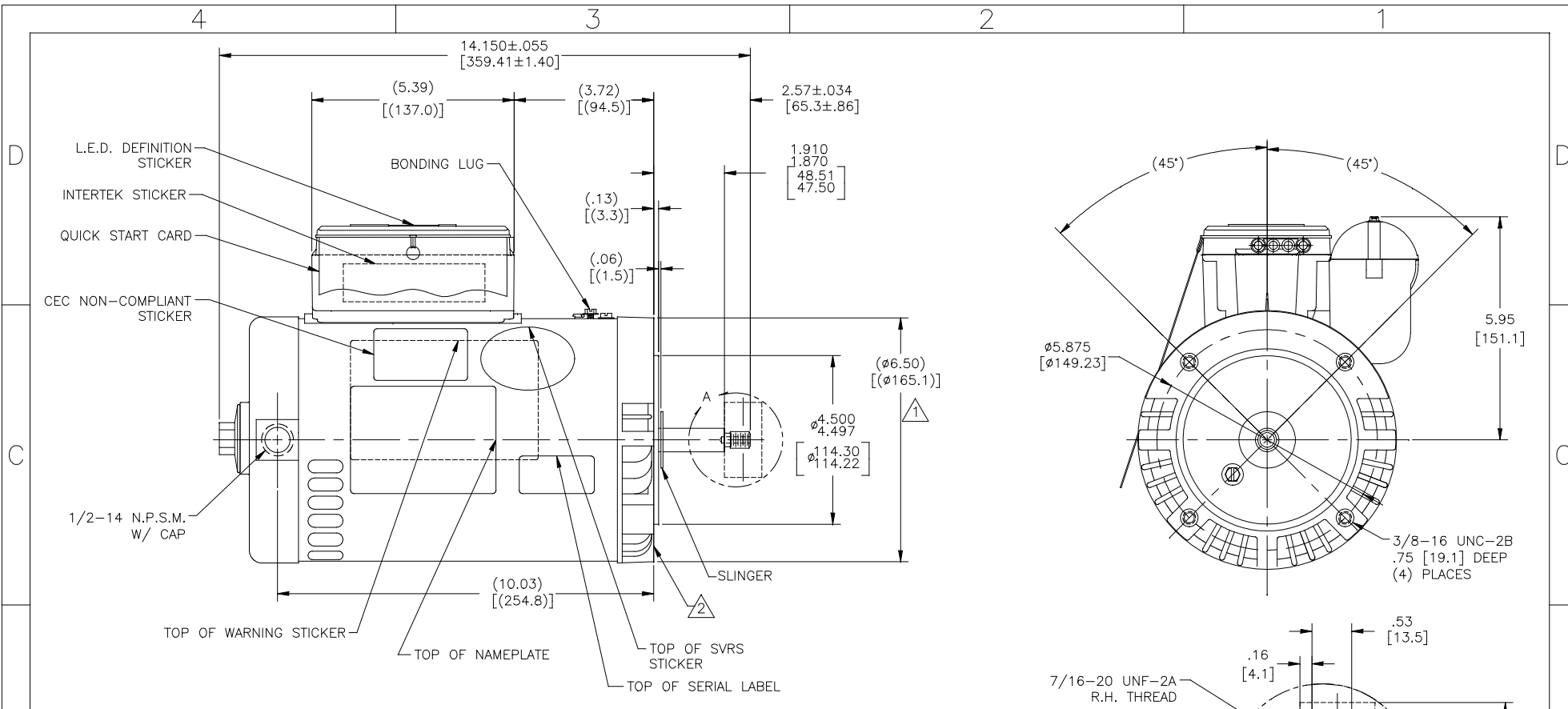
### Nameplate Specifications

Output HP	<b>3.0 HP</b>	Output KW	<b>2.2 kW</b>
Frequency	<b>60 Hz</b>	Voltage	<b>230 V</b>
Current	<b>SF 14.1 A</b>	Speed	<b>3450 RPM</b>
Service Factor	<b>1.15</b>	Phase	<b>1</b>
Duty	<b>Continuous</b>	Insulation Class	<b>B</b>
Frame	<b>Y56J</b>	Enclosure	<b>Drip Proof</b>
Overload Protector	<b>Thermally Protected</b>	Ambient Temperature	<b>50 °C</b>
UL	<b>Recognized</b>	CSA	<b>Y</b>

### Technical Specifications

Electrical Type	<b>Permanent Split Capacitor, Single Or Dual Voltage</b>	Poles	<b>2</b>
Rotation	<b>Counterclockwise Pump End</b>	Mounting	<b>C Face</b>
Motor Orientation	<b>Horizontal</b>	Drive End Bearing	<b>BALL BRG</b>
Opp Drive End Bearing	<b>BALL</b>	Frame Material	<b>Rolled Steel</b>
Shaft Type	<b>Threaded</b>	Overall Length	<b>14.15 in</b>
Frame Length	<b>8.50 in</b>	Shaft Diameter	<b>0.625 in</b>
Shaft Extension	<b>2.57 in</b>		
Outline Drawing	<b>BG131A-S01</b>	Connection Diagram	<b>17050319.PCX</b>

This is an uncontrolled document once printed or downloaded and is subject to change without notice. Date Created: 10/19/2019



DETAIL A  
SCALE 1:1

NAMEPLATE DATA	EXTERNAL CONNECTION DIAGRAM	NOTES
MODEL: F56AA39A01 CUST_PN: BG131A HP: 3.0 SF: 1.15 ROT: CCWPE RPM: 3450 TYPE: CX FORM: KJM VOLTS: 230 AMPS: MAX AMPS: SF AMPS: 14.1 PH: 1 INS: B DUTY: CONT ENCLOSURE: ODP THERMALLY PROTECTED		⚠️ PILOT DIAMETER IS CONCENTRIC WITH SHAFT CENTERLINE WITHIN .004 T.I.R. ⚠️ FACE OF MOUNTING FLANGE IS PERPENDICULAR TO SHAFT CENTERLINE WITHIN .004 T.I.R. 3. SHAFT RUNOUT NOT TO EXCEED .002 T.I.R. 4. END PLAY NOT TO EXCEED .010 MEASURED WITH NO THRUST 5. FINISH PAINT TO BE SATIN BLACK

PERFORMANCE CURVE	APPROVED SAMPLE
15593411	
UL COMPONENT	CSA
FILE#	CCN#
PENDING	PENDING
CUSTOMER	DISTRIBUTION SERVICES

DRAWING REVISION	REVISION BY	DATE	TOLERANCES UNLESS OTHERWISE SPECIFIED	DRAWN BY:	DATE:
F	G. RODRIGUEZ	04-25-2019	DEC. INCH mm ANGLE	J. HENRY	06-08-2009
ECO-0165900	APPROVED BY	DATE	.XX ±0.02 [±0.51]	DATE:	
SEE ECO	G. RODRIGUEZ	04-25-2019	.XXX ±0.005 [±0.127]	APPROVED BY:	
<small>COPYRIGHT REGAL BELOIT AMERICA, INC. ALL RIGHTS RESERVED. PROPRIETARY AND CONFIDENTIAL INFORMATION - THIS DOCUMENT IS THE PROPERTY OF REGAL BELOIT AMERICA, INC. (OWNER) AND CONTAINS OWNER'S PROPRIETARY INFORMATION. ANY REPRODUCTION OR OTHER USE WITHOUT THE WRITTEN PERMISSION OF REGAL BELOIT AMERICA, INC. IS STRICTLY PROHIBITED. BY RECEIVING IT, TO AGREE THAT IT, AND/OR ANY PART OF IT, SHALL NOT BE DISCLOSED TO ANY PERSON, CORPORATION OR OTHER ENTITY, SUPPLIER, AND/OR USER EXCEPT AS EXPRESSLY APPROVED IN WRITING BY ADVANCE BY OWNER. THIS DOCUMENT SHALL BE RETURNED TO OWNER UPON REQUEST. IT MAY BE SUBJECT TO CERTAIN RESTRICTIONS UNDER APPLICABLE EXPORT CONTROL LAWS AND REGULATIONS.</small>			REMOVE BURRS & BREAK SHARP EDGES .003/.015 [0.076/.381] CORNER FILLETS .02 [.51] MACHINED SURFACES TH/ INCH mm/ mm/3 TH/ mm SHOWN IN BRACKETS	DESCRIPTION MODEL-PFHP-56FR OUTLINE	PROCESS/FINISH ---
REFERENCE MATERIAL ---		SIZE DWG NO C BG131A	SHEET 1		