

PRODUCT INFORMATION PACKET



Model No:
Catalog No: BG128A
MODEL-PFHP-56FR
Induction Motors



Regal and Century are trademarks of Regal Beloit Corporation or one of its affiliated companies.
©2019 Regal Beloit Corporation, All Rights Reserved. MC017097E





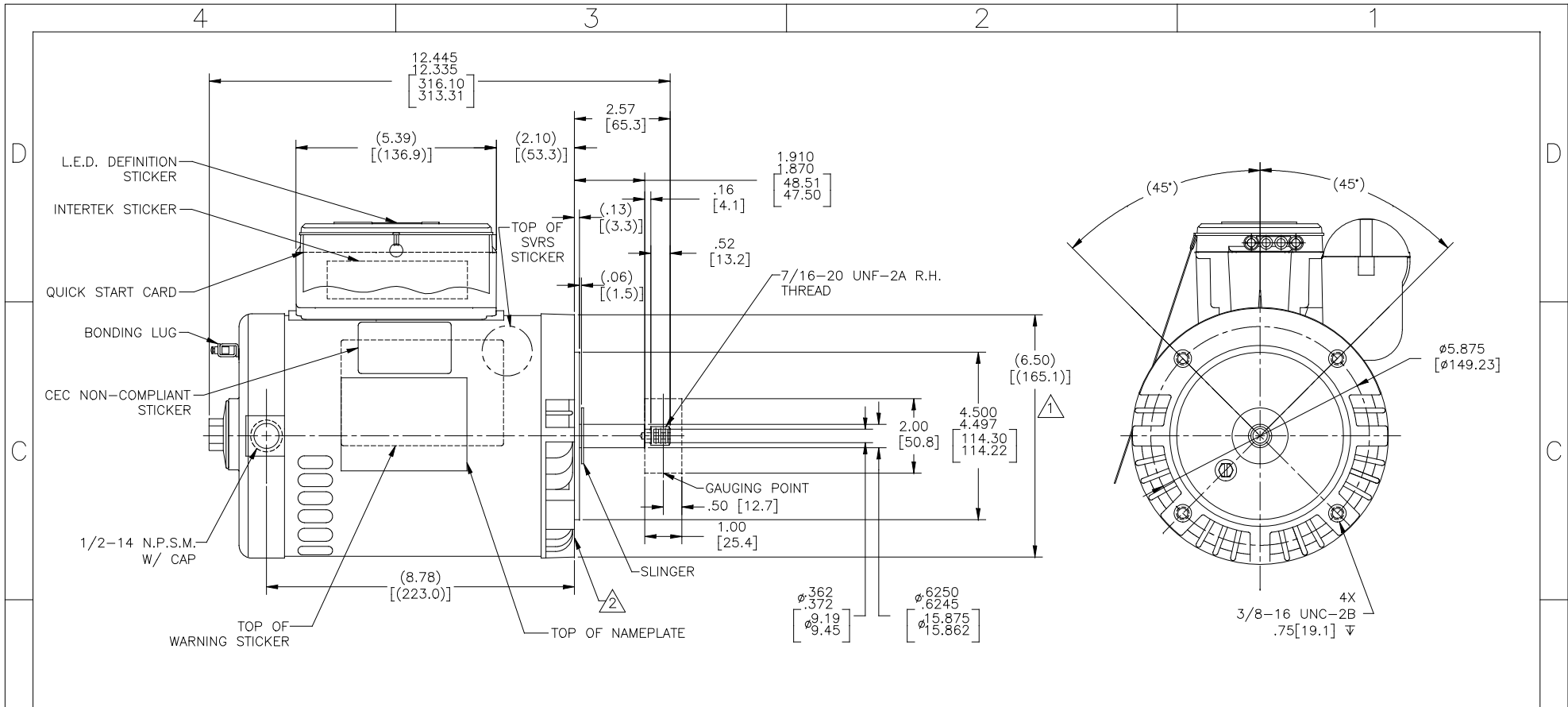
Nameplate Specifications

Output HP	1.0 HP	Output KW	0.75 kW
Frequency	60 Hz	Voltage	230/115 V
Current	SF 7.2/14.4 A	Speed	3450 RPM
Service Factor	1.4	Phase	1
Duty	Continuous	Insulation Class	B
Frame	M56J	Enclosure	Drip Proof
Overload Protector	Thermally Protected	Ambient Temperature	50 °C
UL	Recognized	CSA	Y

Technical Specifications

Electrical Type	Permanent Split Capacitor, Single Or Dual Voltage	Poles	2
Rotation	Counterclockwise Pump End	Mounting	C Face
Motor Orientation	Horizontal	Drive End Bearing	BALL
Opp Drive End Bearing	BALL	Frame Material	Rolled Steel
Shaft Type	Threaded	Overall Length	12.39 in
Frame Length	6.75 in	Shaft Diameter	0.625 in
Shaft Extension	2.57 in		
Outline Drawing	BG128A-S01	Connection Diagram	17536715.PCX

This is an uncontrolled document once printed or downloaded and is subject to change without notice. Date Created: 10/19/2019



NAMEPLATE DATA		EXTERNAL CONNECTION DIAGRAM	NOTES
MODEL: F56AA29A01 CUST. PN: BG128A HP: 1.0 SF: 1.40 ROT: CCWPE RPM: 3450 TYPE: CX CODE: J FORM: FRAME: M56J VOLTS: 230/115 AMPS: MAX. AMPS: 7.2/14.4 SF AMPS: 7.2/14.4 PH: 1 HZ: 60 INS: B AMB: 50° DUTY: CONT ENCLOSURE: ODP THERMALLY PROTECTED			1. PILOT DIAMETER IS CONCENTRIC WITH SHAFT CENTERLINE WITHIN .004[.10] T.I.R. 2. FACE OF MOUNTING FLANGE IS PERPENDICULAR TO SHAFT CENTERLINE WITHIN .004[.10] T.I.R. 3. SHAFT RUNOUT NOT TO EXCEED .002[.05] T.I.R. 4. END PLAY NOT TO EXCEED .010[.25] MEASURED WITH NO THRUST. 5. FINISH PAINT TO BE SATIN BLACK

PERFORMANCE CURVE		APPROVED SAMPLE	
16345211			
UL COMPONENT		CSA	
FILE#	CCN#	FILE#	GUIDE#
PENDING	PENDING	PENDING	PENDING
CUSTOMER		DISTRIBUTION SERVICES	

DRAWING REVISION BY E G. RODRIGUEZ	DATE 04-25-2019	TOLERANCES UNLESS OTHERWISE SPECIFIED DEC. INCH mm ANGLE X ±0.1 [±2.5] ±0.5° XX ±0.02 [±0.51] .XXX ±0.005 [±0.127] XXXX ±0.0005 [±0.0127]	DRAWN BY: JHENRY	Regal Beloit America, Inc.
ECD DESCRIPTION SEE ECO	DATE 04-25-2019	REMOVE BURRS & BREAK SHARP EDGES .003/015 [076/381] X 45° CORNER FILLETS R.02 [51] MACHINED SURFACES INCH mm	DATE: 03-16-09	MODEL-PFHP-56FR
COPYRIGHT REGAL BELOIT AMERICA, INC. ALL RIGHTS RESERVED. PROPRIETARY AND CONFIDENTIAL INFORMATION - THIS DOCUMENT IS THE PROPERTY OF REGAL BELOIT AMERICA, INC. (OWNER) AND CONTAINS OWNER'S PROPRIETARY INFORMATION. ANY REPRODUCTION, COPIATION OR OTHER FIRM RECEIVING IT IS DENIED. BY RECEIVING IT, TO AGREE THAT IT, AND/OR ANY PART OF IT, SHALL NOT BE DISCLOSED TO ANY PERSON, CORPORATION OR OTHER ENTITY, EMPLOYEE, AND/OR USED EXCEPT AS EXPRESSLY APPROVED IN WRITING BY AGENCY OF OWNER. THIS DOCUMENT SHALL BE RETURNED TO OWNER UPON REQUEST. IT MAY BE SUBJECT TO CERTAIN RESTRICTIONS UNDER APPLICABLE EXPORT CONTROL LAWS AND REGULATIONS.		APPROVED BY: G. RODRIGUEZ	DESCRIPTION MODEL-PFHP-56FR OUTLINE	PROCESS/FINISH
		THIRD ANGLE PROJECTION	SIZE DWG NO C	BG128A
				SHEET 1