

PRODUCT INFORMATION PACKET

Model No: 5KCR48UN3017X
Catalog No: C1443
2-1/4,3450/1725,DP,56J,1/60/230
Single Phase



Regal and Marathon are trademarks of Regal Beloit Corporation or one of its affiliated companies.
©2019 Regal Beloit Corporation, All Rights Reserved. MC017097E





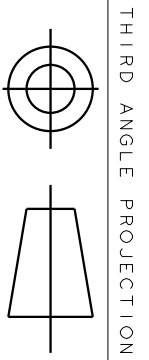
Nameplate Specifications

Output HP	2,.25 HP	Output KW	1.49 kW
Frequency	60 Hz	Voltage	230 V
Speed	3450,1725 RPM	Service Factor	1.3
Phase	1	Efficiency	0 %
Duty	CONT	Insulation Class	B
KVA Code	J	Frame	56J
Enclosure	DP	Overload Protector	AUTO
Ambient Temperature	50 °C	Drive End Bearing Size	6204
Opp Drive End Bearing Size	6203	UL	Recognized
CSA	Y	CE	N

Technical Specifications

Electrical Type	Capacitor Start Capacitor Run(CSCR)	Starting Method	SM
Poles	2	Rotation	CW
Mounting	N/R	Motor Orientation	ANY
Drive End Bearing	LOCKED	Opp Drive End Bearing	BALL
Overall Length	15.59 in	Frame Length	8.43 in
Shaft Extension	.625 X 2.39 WITH .4375-20UNF-2A THREAD in		
Outline Drawing	52A107835P4	Connection Diagram	52A109228

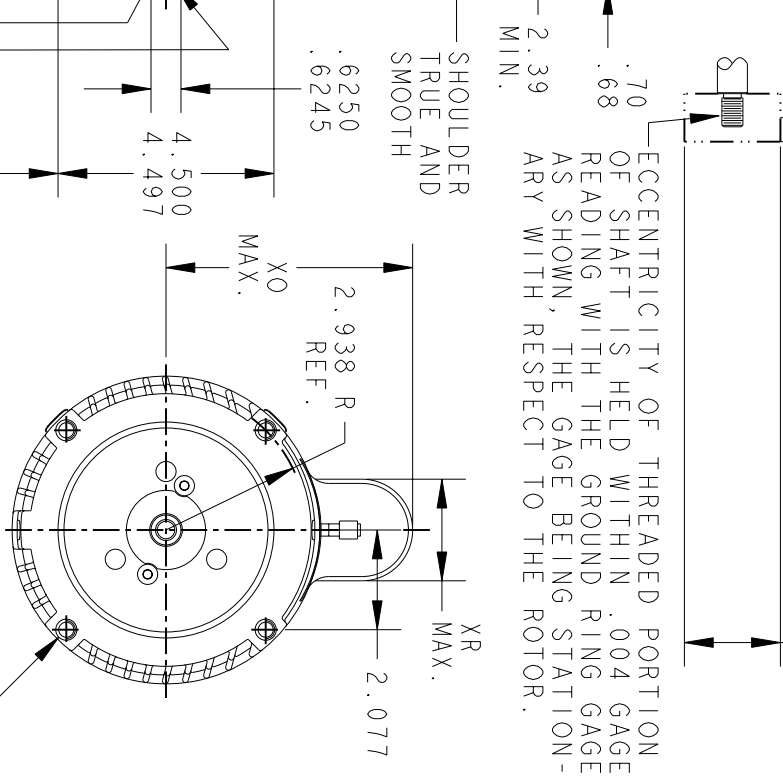
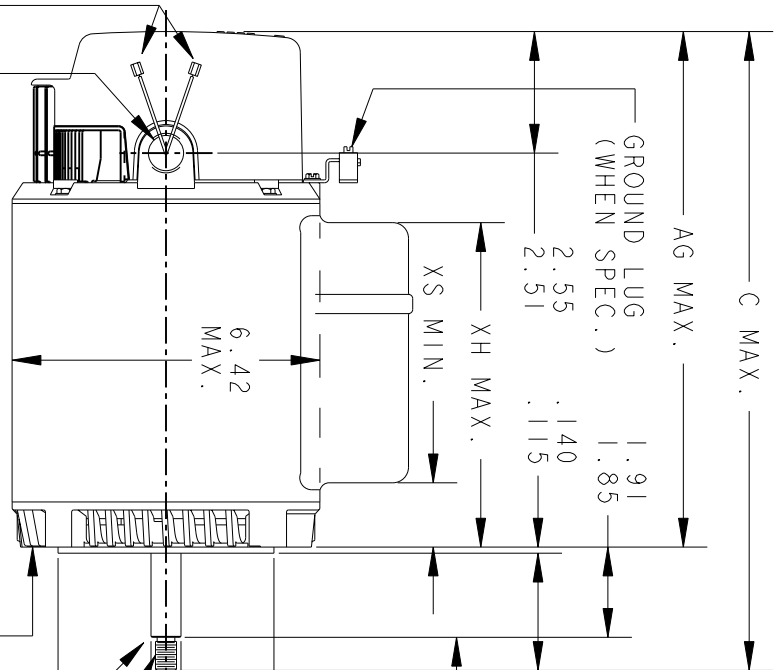
This is an uncontrolled document once printed or downloaded and is subject to change without notice. Date Created: 11/18/2019



THIRD ANGLE PROJECTION

REVISIONS

REV.	DESCRIPTION	DATE	APPROVED
5	CHG TO RBC FORMAT PER IS05-11777	03/06/03	SUDHA



FACE RUNOUT (WITH INDICATOR MOUNTED STATIONARY RELATIVE TO SHAFT) MUST NOT EXCEED .004 T.I.R.
 MATING PARTS SHOULD BE RELIEVED ONE THREAD TO CLEAR FILLET.
 .4375-20 UNF-2A (SEE VIEW ABOVE)

ECCENTRICITY OF THIS SURFACE (WITH INDICATOR MOUNTED STATIONARY RELATIVE TO SHAFT) MUST NOT EXCEED .004 T.I.R.
 CHAMFER .35-.38 DIA. X 80°-120°
 .375-16 UNC-2B (4 HOLES) .70 MIN. FULL THREAD. THESE HOLES FIT A GAGE HAVING A RABBIT 4.5005 DIA. AND 4 PINS .2917 DIA. LOCATED ON THE BASIC HOLE POSITIONS.

4	3	2	1	P
KCR	KCR	KCR	KCR	TYPE
48	49	49	49	GE SIZE
56J	56J	56J	56J	NEMA FR
15.59	16.15	14.31	14.31	C
13.22	13.78	11.94	11.94	AG
8.85	9.41	7.57	7.57	XH
3.28	3.84	2.00	2.00	XS
5.38	5.38	5.23	5.23	XO
2.22	2.22	2.10	2.10	XR
8.43	8.99	7.15	7.15	SHELL REF.

REGAL-BELOIT CORPORATION

SIGNATURES		DATE
MODEL	B. JOHNSON	01/22/93
DETAIL		
CHECKED		
ENGRG		
MFG		
QUALITY		
ISSUED	M.D. PAPE	03/23/94
SOLID MODEL:	52A107835	

REGAL-BELOIT CORPORATION

OUTLINE

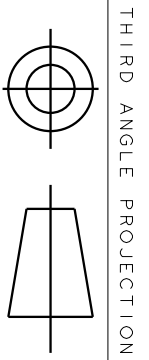
40 FRAME - 2 COMPARTMENT - 56J - JET/POOL

FME: 5KCR49PN2014X

SCALE: 0.250 REF. No.: .

SIZE: DRAWING A

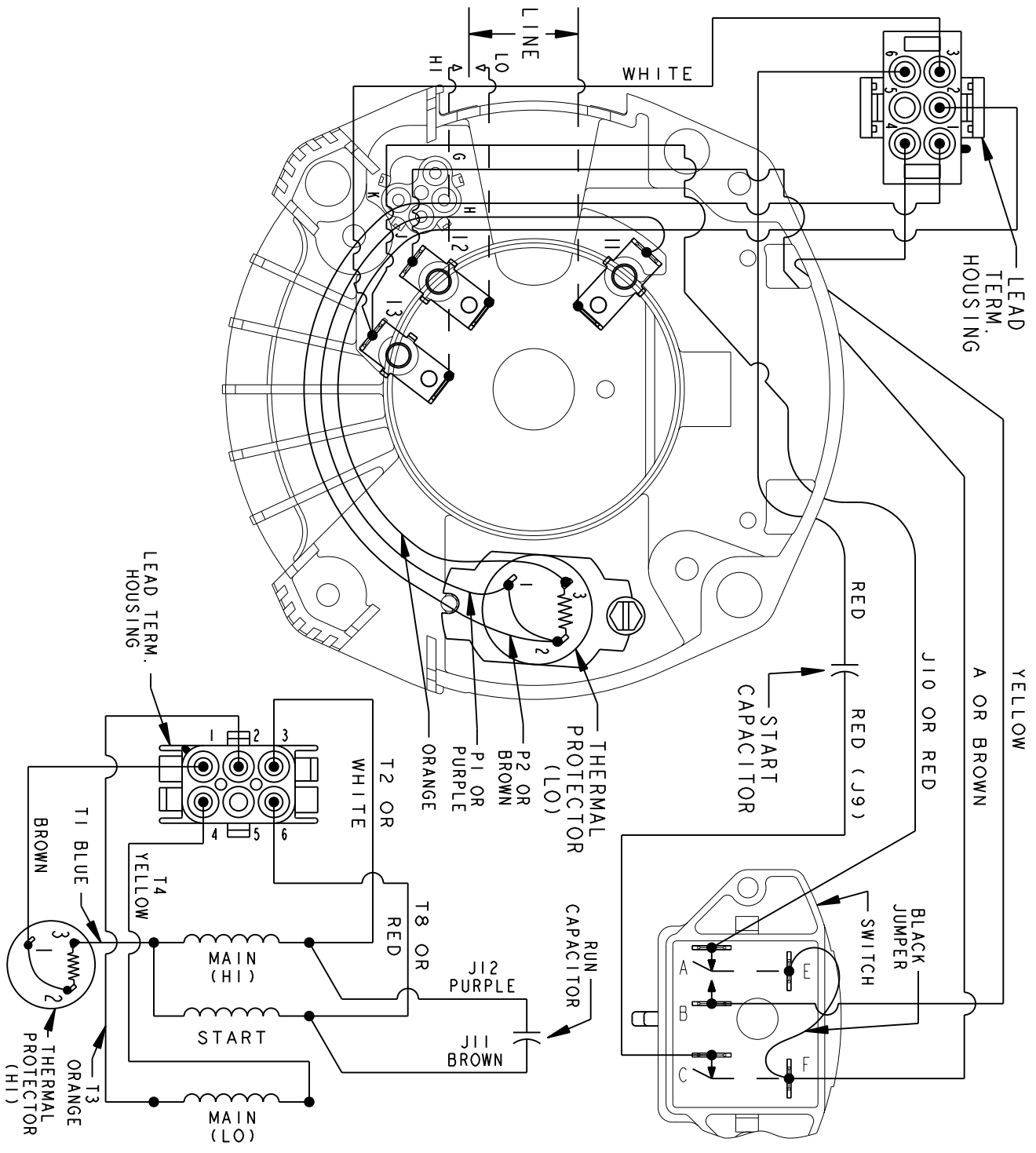
52A107835



THIRD ANGLE PROJECTION

REVISIONS		DESCRIPTION	DATE	APPROVED
REV.	1	UPDATED TO RBC FORMAT	01/12/06	MAM

SET ROTATION - SINGLE VOLTAGE
 TYPE KCR WITH PROTECTORS (2)
 2 SPEED POLE CHANGING



SIGNATURES		DATE
MODEL	M.D.P.	06/02/94
DETAIL		
CHECKED		
ENGRG		
MFG		
QUALITY	M.D.P.	
ISSUED		06/02/94
SOLID MODEL:	52A109228	

REGAL-BELOTT CORPORATION

REGAL-BELOTT

CONNECTION DIAGRAM

FMF: 2 COMPARTMENT SINGLE VOLT, SET ROTATION

SIZE DRAWING A

SCALE: 1.000 REF. No.:

52A109228

REV 1

SHEET 1 of 1