

# PRODUCT INFORMATION PACKET

Model No: 5KC49PN0161  
Catalog No: C181  
1,1800,DP,56,1/60/115/208-230  
Open Drip Proof (ODP)



Regal and Marathon are trademarks of Regal Beloit Corporation or one of its affiliated companies.  
©2019 Regal Beloit Corporation, All Rights Reserved. MC017097E





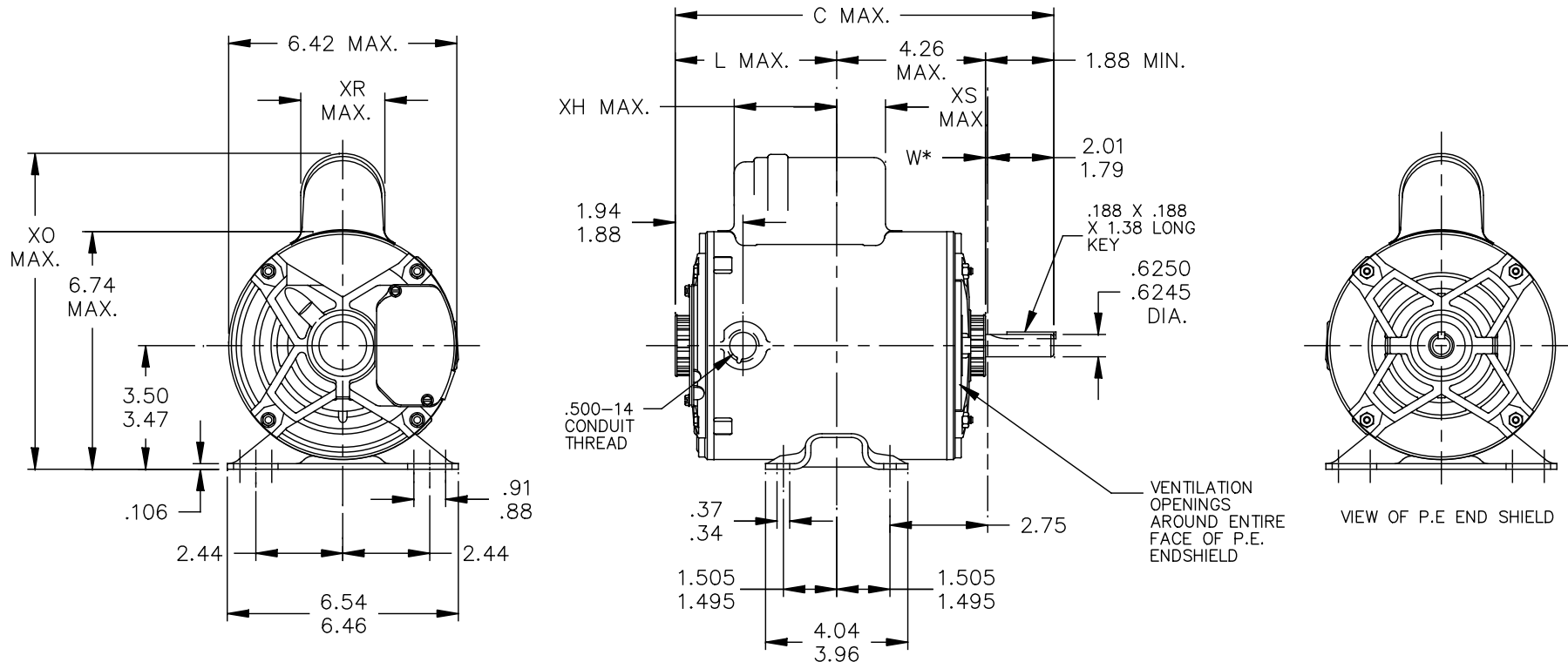
### Nameplate Specifications

Output HP	<b>1 HP</b>	Output KW	<b>0.75 kW</b>
Frequency	<b>60 Hz</b>	Voltage	<b>115/208-230 V</b>
Current	<b>13.6 A</b>	Speed	<b>1725 RPM</b>
Service Factor	<b>1.15</b>	Phase	<b>1</b>
Efficiency	<b>0 %</b>	Duty	<b>Continuous</b>
Insulation Class	<b>B</b>	KVA Code	<b>K</b>
Frame	<b>56</b>	Enclosure	<b>Drip Proof</b>
Overload Protector	<b>N/R</b>	Ambient Temperature	<b>40 °C</b>
Drive End Bearing Size	<b>6203</b>	Opp Drive End Bearing Size	<b>6203</b>
UL	<b>Recognized</b>	CSA	<b>Yes</b>
CE	<b>N</b>		

### Technical Specifications

Electrical Type	<b>Capacitor Start Induction Run</b>	Starting Method	<b>SM</b>
Poles	<b>4</b>	Rotation	<b>Counterclockwise/Clockwise</b>
Mounting	<b>Rigid Base</b>	Motor Orientation	<b>ANY</b>
Drive End Bearing	<b>BALL</b>	Opp Drive End Bearing	<b>BALL</b>
Frame Material	<b>Rolled Steel</b>	Frame Length	<b>7.15 in</b>
Shaft Extension	<b>.625 X 1.88 - .188 X .188 KEY in</b>		
Outline Drawing	<b>52A107630P3</b>	Connection Diagram	<b>52A105381AA</b>

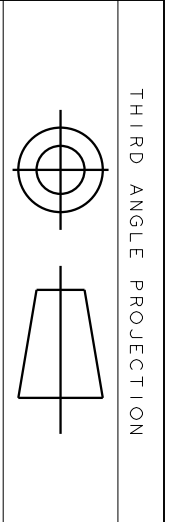
This is an uncontrolled document once printed or downloaded and is subject to change without notice. Date Created: 11/12/2019



W\* IS A VARIABLE CLEARANCE DUE TO VARIATIONS IN PARTS AND ASSEMBLY.

10	KC	49	56	13.13	7.06	3.98	8.62	2.08	1.62	8.99	5	KC	49	56	11.91	5.75	4.16	8.94	2.40	2.12	7.68
9	KC	49	56	11.82	5.75	3.84	8.24	1.58	1.76	7.68	4	KC	49	56	10.38	4.22	2.63	8.94	2.40	1.91	6.15
8	KC	49	56	11.91	5.75	4.16	8.63	2.10	2.12	7.68	3	KC	49	56	11.38	5.22	3.63	8.94	2.40	2.12	7.15
7	KC	48	56	12.66	6.50	4.16	8.94	2.40	2.12	8.43	2	KC	42	56	9.95	3.79	2.20	8.94	2.40	2.34	5.72
6	KC	49	56	11.48	5.22	3.58	8.26	1.60	2.11	7.15	1	KC	46	56	10.78	4.62	2.97	8.94	2.40	2.70	6.55
P	TYPE	RBC SIZE	NEMA FR	"C"	"L"	"XH"	"XO"	"XR"	"XS"	MIN. SHELL	P	TYPE	RBC SIZE	NEMA FR	"C"	"L"	"XH"	"XO"	"XR"	"XS"	MIN. SHELL

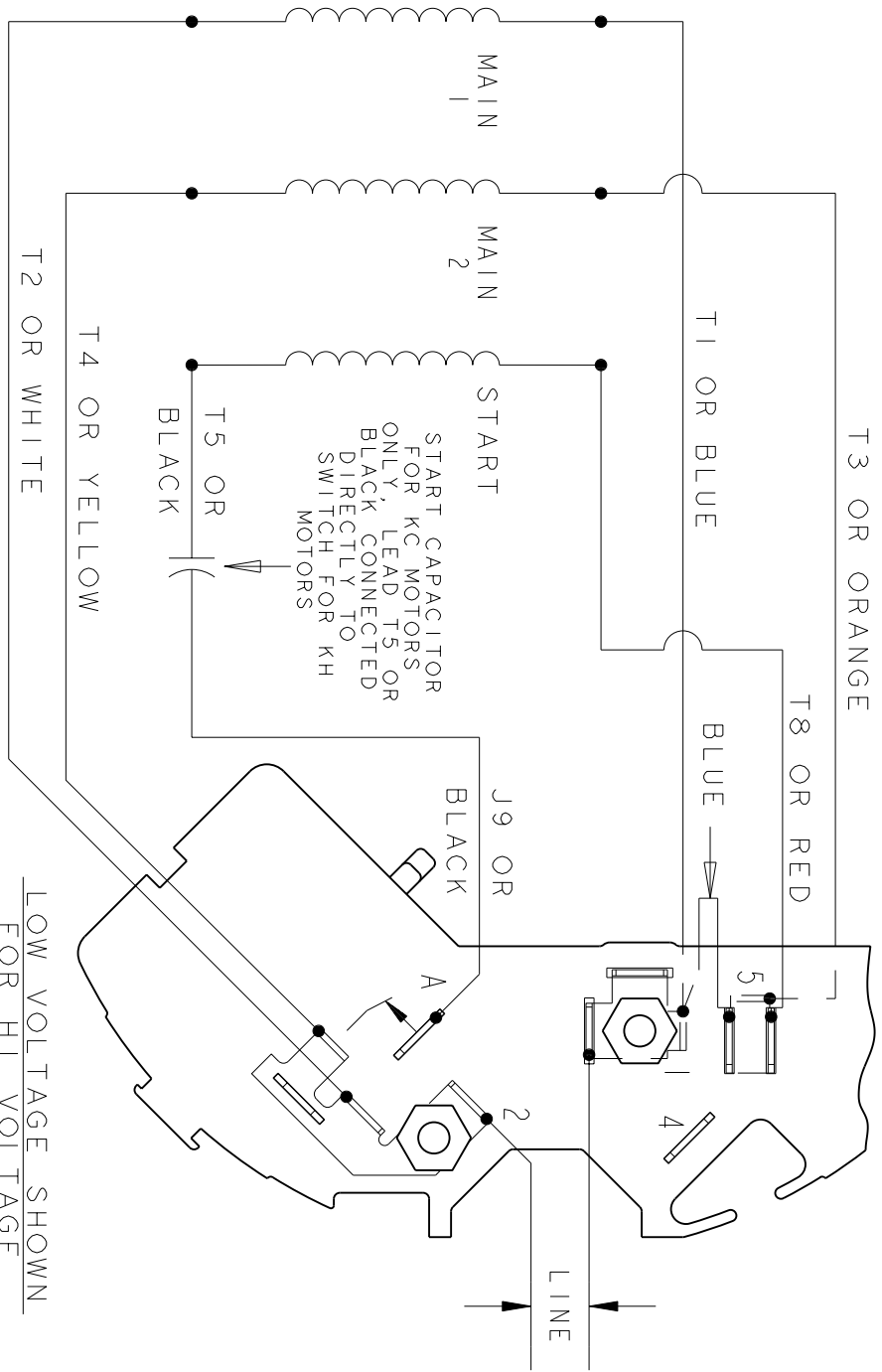
											TOLERANCES UNLESS SPECIFIED						DRAWN MDP 10/23/90		
											DEC.	INCHES					CHK		
											.X	±0.1					APPD MDP 04/11/96		
13	P1 DIM.	XS WAS 1.51 AND XH WAS 3.03, ECR-0108357				KK	3/29/16	KK	.XX	±0.02	TITLE				SCALE 1=1				
12	ADDED PART #10 PER SAMPLE DS 13 - 0960				PVR	02/26/13	RBG	.XXX	±0.005	OUTLINE				REF					
11	ADDED PART #9 PER ISO7-0912				MAD	05/01/07		.XXXX	±0.0005	GENERAL PURPOSE MOTOR - BALL BEARING - WELDED BASE				FMF					
NO.	REVISION				BY & DATE	CHK	ANG	±1.0	FINISH				PREV						
THIS DRAWING IN DESIGN AND DETAIL IS OUR PROPERTY AND MUST NOT BE USED EXCEPT IN CONNECTION WITH OUR WORK ALL RIGHTS OF DESIGN AND INVENTION ARE RESERVED THIS IS AN ELECTRONICALLY GENERATED DOCUMENT - DO NOT SCALE THIS PRINT											RFP	CAD FILE 52A107630				SIZE	DRAWING NO.		REV.
											DIST					A	52A107630		13



THIRD ANGLE PROJECTION

REV.	DESCRIPTION	DATE	APPROVED
2	UPDATED FORMAT	01/04/06	MAM

EITHER ROTATION - DUAL VOLTAGE  
TYPE KC OR KH  
T3 OR ORANGE



LOW VOLTAGE SHOWN  
FOR HI VOLTAGE  
SEE NOTE #1

- NOTE #1 - FOR HI VOLTAGE REMOVE BLUE FROM TERMINAL #5 AND PLACE ON TERMINAL #4, REMOVE WHITE (T2) FROM TERMINAL #2 AND PLACE ON TERMINAL #5.
- NOTE #2 - TO REVERSE ROTATION INTERCHANGE RED (T8) AND BLACK (J9-KC OR T5-KH) LEADS.
- NOTE #3 - WHEN MORE THAN ONE CAPACITOR IS USED CONNECT IN PARALLEL.

REF. DIAG. - 121A852

SWITCH (C) - 115D958AB  
CONNECTION LABEL - 52X332050

SIGNATURES		DATE
MODEL	M.D. PAPE	06/29/87
DETAIL	.	.
CHECKED	.	.
ENGRG	.	.
MFG	.	.
QUALITY	.	.
ISSUED	M.D. P.	06/29/87
MATERIAL	SOLID MODEL: 52A105381AA	



REGAL-BELOMT CORPORATION

TITLE CONNECTION DIAGRAM

FME: 30 FRAME SWITCH REDESIGN

SIZE	DRAWING	REV
A		2
SCALE:	1.000	REF. No.:
SHEET	1 of 1	