

PRODUCT INFORMATION PACKET

Model No: 5KC49NN0221X
Catalog No: 9029
1/2,1725,DP,1/60/115
Open Drip Proof (ODP)



Regal and Marathon are trademarks of Regal Beloit Corporation or one of its affiliated companies.
©2019 Regal Beloit Corporation, All Rights Reserved. MC017097E





Nameplate Specifications

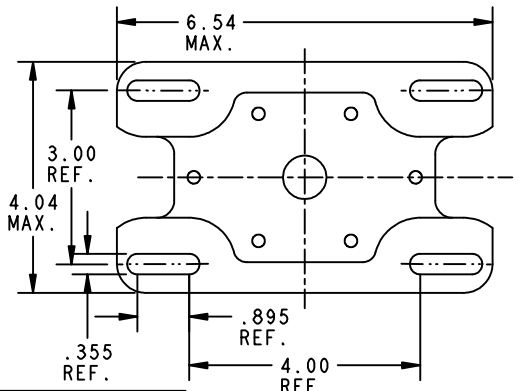
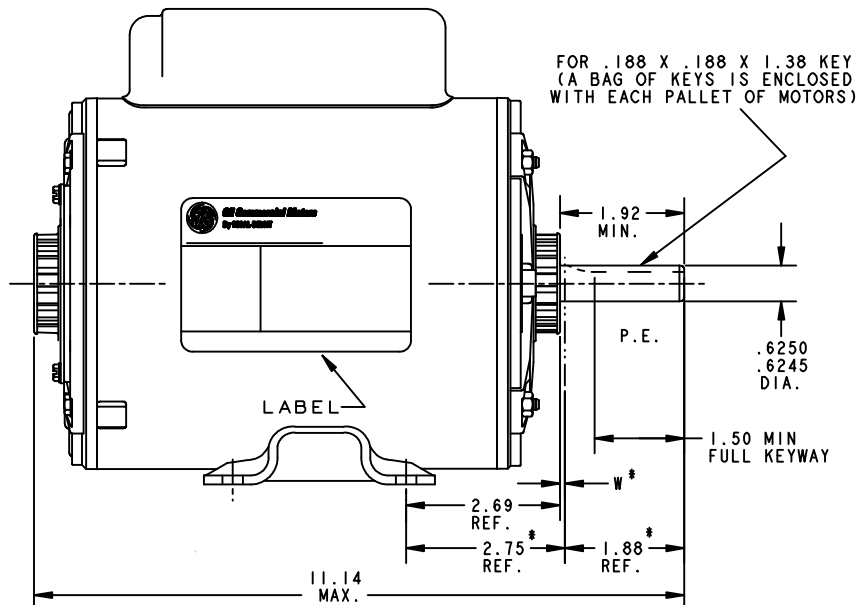
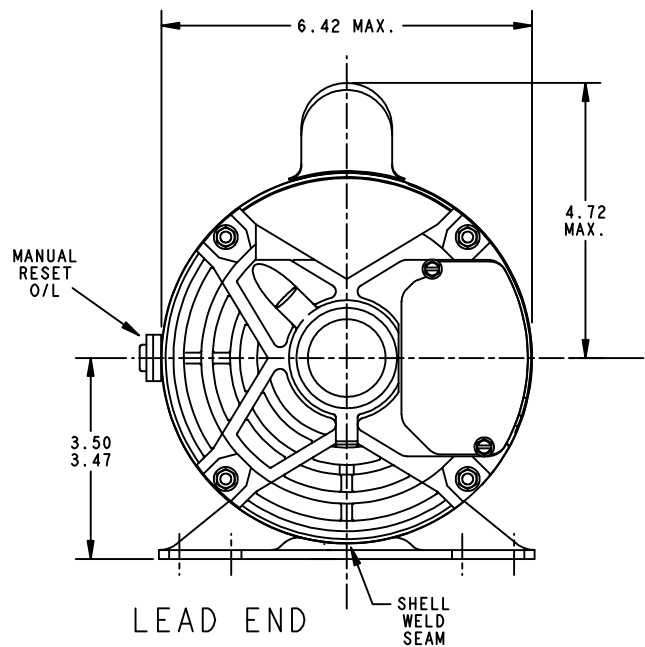
Output HP	1/2 HP	Output KW	0.37 kW
Frequency	60 Hz	Voltage	115 V
Current	8.7 A	Speed	1725 RPM
Service Factor	1	Phase	1
Efficiency	0 %	Duty	Continuous
Insulation Class	B	KVA Code	M
Frame	56	Enclosure	Drip Proof
Overload Protector	AUTO	Ambient Temperature	40 °C
Drive End Bearing Size	6203	Opp Drive End Bearing Size	6203
UL	Recognized	CSA	Yes
CE	N		

Technical Specifications

Electrical Type	Capacitor Start Induction Run	Starting Method	SM
Poles	4	Rotation	Clockwise
Mounting	Rigid Base	Motor Orientation	HOR
Drive End Bearing	BALL	Opp Drive End Bearing	BALL
Frame Material	Rolled Steel	Overall Length	11.14 in
Frame Length	6.92 in	Shaft Extension	.625 X 1.88 - .188 X .188 KEY in
Outline Drawing	52B209819P1	Connection Diagram	52A109201

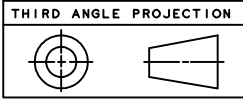
This is an uncontrolled document once printed or downloaded and is subject to change without notice. Date Created: 11/12/2019

REVISIONS			
REV.	DESCRIPTION	DATE	APPROVED
1	CHG TO RBC FORMAT PER ISO5-1777	05/09/06	SUDHA



- NOTES:
1. ENDPLAY .002-.010 (E1-115A321AAP2).
 2. MINIMUM CLAMPBOLT TORQUE IS 32 IN.-LBS.

* NOMINAL NEMA DIM. "W" IS VARIABLE CLEARANCE DUE TO VARIATION IN PARTS & ASSEMBLY.



SIGNATURES	DATE
MODEL M.D. PAPE	06/03/93
DETAIL	.
CHECKED	.
ENGRG	.
NFG	.
QUALITY	.
ISSUED M.D. PAPE	06/03/93
MATERIAL	SOLID MODEL: 52B209819

I	KC	49	6.925
P	TYPE	GE SIZE	SHELL (MIN.)

REGAL-BELOIT CORPORATION

TITLE: **OUTLINE**
FMF - 40 FRAME 5KC49MN2043Y

SIZE DRAWING: **52B209819** REV **1**

SCALE: 0.500 REF. No: . SHEET 1 of 1