

# PRODUCT INFORMATION PACKET

Model No: 5KC37NN501Y  
Catalog No: C1475  
3/4, 3450, DP, 56, 1/60/115/230  
Open Drip Proof (ODP)



Regal and Marathon are trademarks of Regal Beloit Corporation or one of its affiliated companies.  
©2019 Regal Beloit Corporation, All Rights Reserved. MC017097E





### Nameplate Specifications

Output HP	<b>.75 HP</b>	Output KW	<b>.56 kW</b>
Frequency	<b>60 Hz</b>	Voltage	<b>115/230 V</b>
Current	<b>10.2 A</b>	Speed	<b>3450 RPM</b>
Service Factor	<b>1.25</b>	Phase	<b>1</b>
Efficiency	<b>66 %</b>	Duty	<b>CONT</b>
Insulation Class	<b>A</b>	KVA Code	<b>K</b>
Frame	<b>56</b>	Enclosure	<b>DP</b>
Overload Protector	<b>MAN</b>	Ambient Temperature	<b>40 °C</b>
Drive End Bearing Size	<b>6203</b>	Opp Drive End Bearing Size	<b>6203</b>
UL	<b>Recognized</b>	CSA	<b>Y</b>
CE	<b>N</b>		

### Technical Specifications

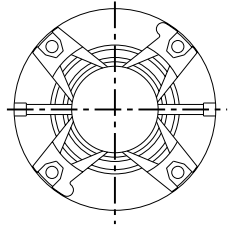
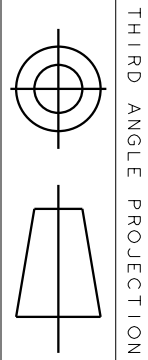
Electrical Type	<b>Capacitor start(CSIR)</b>	Starting Method	<b>SM</b>
Poles	<b>2</b>	Rotation	<b>CCW/CW</b>
Mounting	<b>WB</b>	Motor Orientation	<b>ANY</b>
Drive End Bearing	<b>BALL</b>	Opp Drive End Bearing	<b>BALL</b>
Overall Length	<b>10.72 in</b>	Frame Length	<b>6.62 in</b>
Shaft Extension	<b>.625 X 1.88 - .188 X .188 KEY in</b>		
Outline Drawing	<b>52A103176P4</b>	Connection Diagram	<b>52A105383AA</b>

This is an uncontrolled document once printed or downloaded and is subject to change without notice. Date Created: 12/12/2019

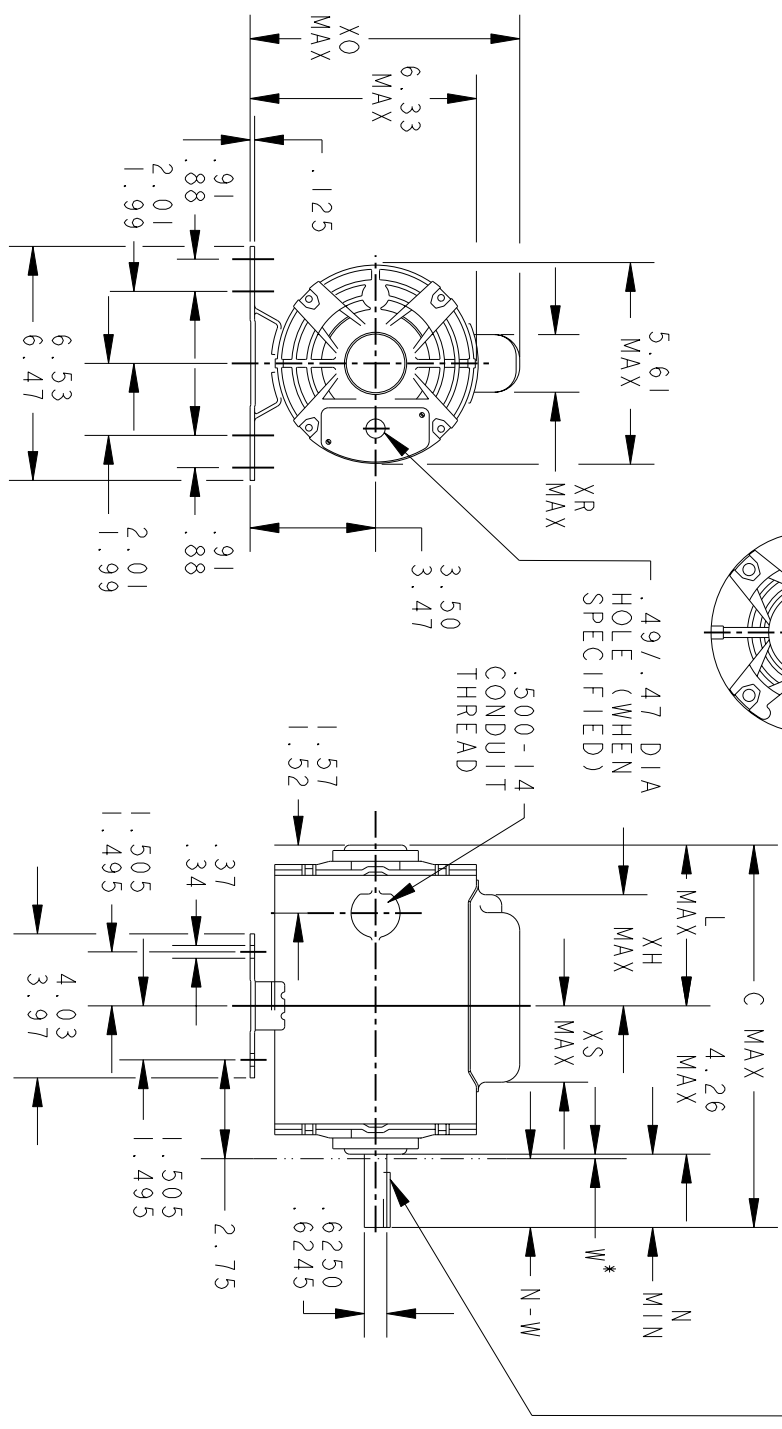
This document is the property of REGAL BELOIT CORPORATION ("REGAL") including its subsidiaries and divisions and contains proprietary information of REGAL. This document is loaned on the express condition that neither the recipient nor any other person shall disclose, disseminate, or otherwise use the information contained herein without the express written consent of REGAL. REGAL shall not be bound by any terms, conditions, or restrictions that may be printed on or attached to this document. This document shall be returned to REGAL upon its request. This document may be subject to certain restrictions under U.S. export control laws and regulations.

REVISIONS

REV.	DESCRIPTION	DATE	APPROVED
11	UPDATED AS PER ISO5-2682	10/20/05	PRAVEEN.K



VIEW SHOWING PE VENTILATION OPENINGS  
 .188 X .188 X (K) LG. KEY



\* W IS A CLEARANCE DUE TO VARIATION IN PARTS & ASSEMBLY.

PT	TYPE	GE SIZE	NEMA FR	C	K	L	N	N-W	XH	XS	XO	XR
9	KC	36	56	10.32	1.38	4.23	1.88	2.01/1.79	3.01	2.65	8.43	2.22
8	KC	39	56	11.85	1.38	5.76	1.88	2.01/1.79	3.45	2.32	8.43	2.22
7	KC	39	56	11.85	1.38	5.76	1.88	2.01/1.79	3.45	2.32	8.43	2.22
6	KC	36	56	10.32	1.38	4.23	1.88	2.01/1.79	2.65	2.72	7.81	1.60
5	KC	37	56	10.72	1.38	4.63	1.88	2.01/1.79	3.05	2.72	7.81	1.60
4	KC	37	56	10.72	1.38	4.63	1.88	2.01/1.79	3.05	2.72	8.43	2.22
3	KC	38	56Z	13.32	1.38	5.23	3.88	4.01/3.79	3.65	2.12	8.43	2.22
2	KC	38	56	11.32	1.38	5.23	1.88	2.01/1.79	3.65	2.12	7.81	1.60
1	KC	36	56	10.32	1.38	4.23	1.88	2.01/1.79	2.44	2.85	8.43	2.22

FOR ADDITIONAL INFO REFER TO:  
 APPLIED PRACTICES  
 DIMENSIONS ARE IN INCHES

REGAL-BELOIT CORPORATION  
 REGAL-BELOIT

TOLERANCE ON:  
 1 PL DECIMALS ± 0.1  
 2 PL DECIMALS ± 0.02  
 3 PL DECIMALS ± 0.005  
 ANGLES ± 1.0  
 FRACTIONS ±

FINISH

QUALITY

ISSUED

MDP

07/29/96

SOLID MODEL: 52A103176

DATE

DETAIL

CHECKED

ENGRG

MFG

QUALITY

ISSUED

MDP

07/29/96

SCALE: 1.000 REF. No.:

SIZE DRAWING

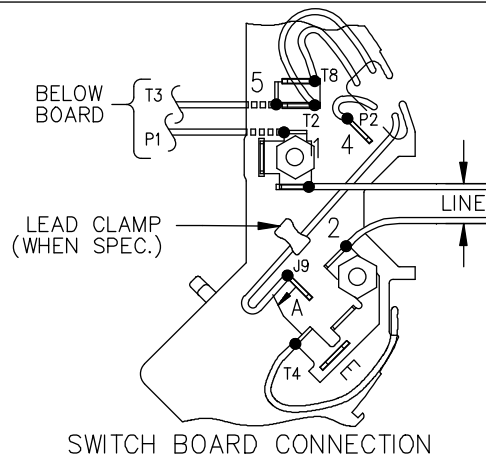
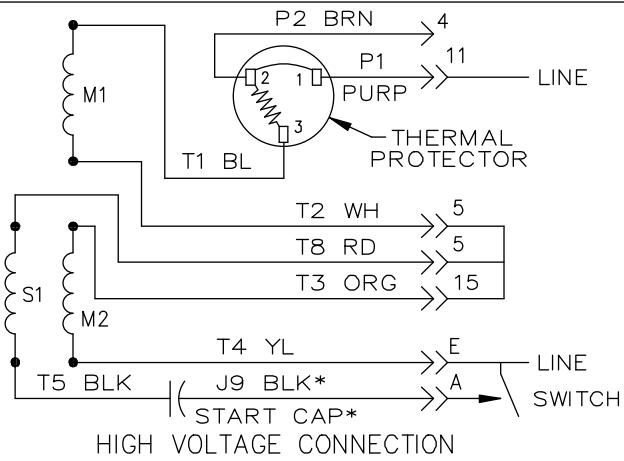
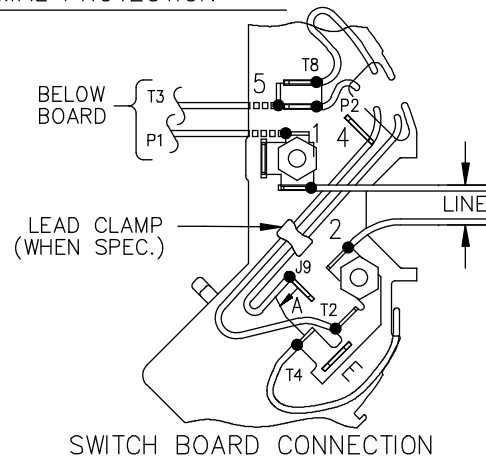
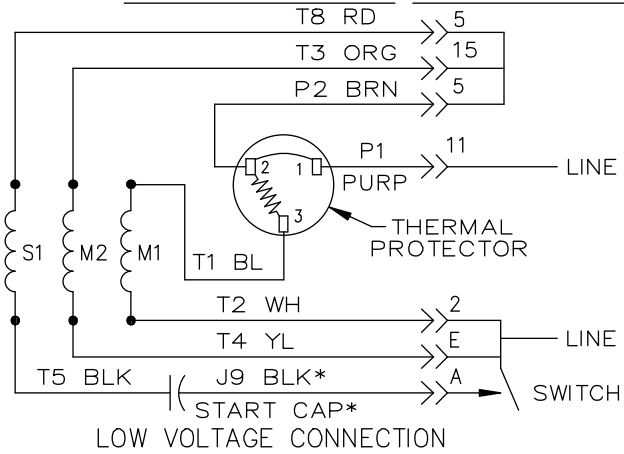
A

SHEET 1 of 1

FORM N-GENERAL PURPOSE MOTOR-DRIP PROOF-  
 WELDED BASE-BALL OR SLEEVE BEARING

52A103176


EITHER ROTATION, DUAL VOLTAGE, TYPE KC OR KH, WITH THERMAL PROTECTION



NOTE #1 - START CAP & J9 WHEN SPECIFIED (\*). IF NO CAPACITOR (KH), CONNECT T5 DIRECTLY TO SWITCH (A). WHEN MORE THAN ONE CAPACITOR IS USED, CONNECT IN PARALLEL.

NOTE #2 - TO REVERSE ROTATION, INTER CHANGE RD(T8) AND BLK(J9-KC OR T5-KH) LEADS.

SWITCH REF. - 115D958AB	CONNECTION LABEL	CCW ROTATION: NP52X332051AA
		CW ROTATION: NP52X332051AC

NO.	REVISION	BY & DATE	CHK	TOLERANCES UNLESS SPECIFIED		FINISH	DRAWN M.D.P 06/29/87						
				DEC.	INCHES			DRAWING NO.					
				.X	±0.1	 <b>REGAL-BELOIT CORPORATION</b>	CHK						
				.XX	±0.02		TITLE	APPD M.D.P 03/26/96					
5	ADDED CONNECTION LABEL PER ECO-0030779	UD 02/06/13	PKG	.XXX	±0.005	CONNECTION DIAGRAM 30 FRAME SWITCH REDESIGN	SCALE 1=1						
4	UPDATED PER ISO7-0150	MD 01/23/07		.XXXX	±0.0005		MAT'L.	REF					
				ANG	±1.0		FMF						
THIS DRAWING IN DESIGN AND DETAIL IS OUR PROPERTY AND MUST NOT BE USED EXCEPT IN CONNECTION WITH OUR WORK. ALL RIGHTS OF DESIGN AND INVENTION ARE RESERVED. THIS IS AN ELECTRONICALLY GENERATED DOCUMENT - DO NOT SCALE THIS PRINT				RFP		CAD FILE	52A105383AA	SIZE	A	DRAWING NO.	52A105383AA	REV.	5
				DIST									