

# PRODUCT INFORMATION PACKET

Model No: 5KC35JN70  
Catalog No: C1296  
1/4,1800,DP,56C,1/60/115/230  
Open Drip Proof (ODP)



Regal and Marathon are trademarks of Regal Beloit Corporation or one of its affiliated companies.  
©2019 Regal Beloit Corporation, All Rights Reserved. MC017097E





### Nameplate Specifications

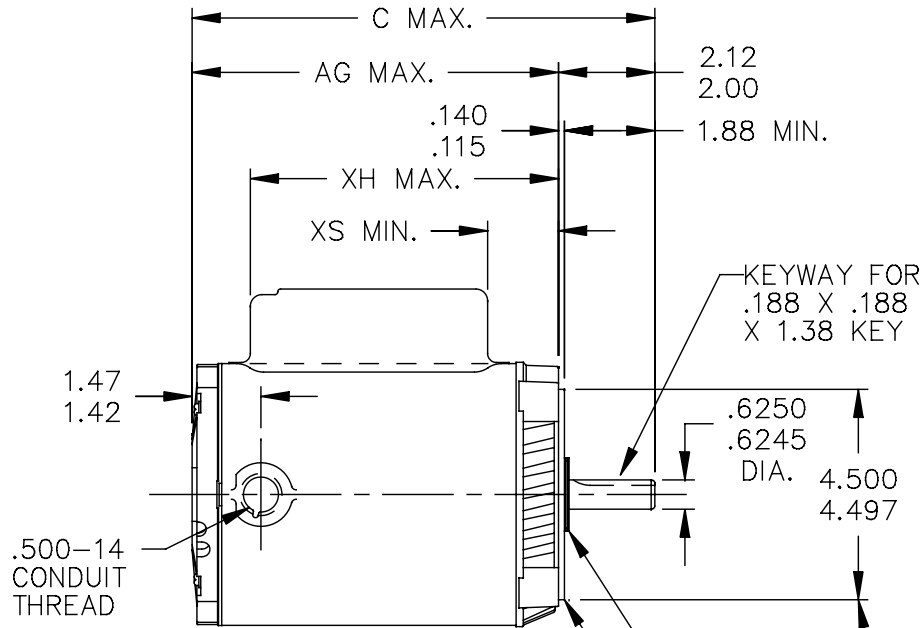
Output HP	<b>.25 HP</b>	Output KW	<b>.19 kW</b>
Frequency	<b>60 Hz</b>	Voltage	<b>115/208-230 V</b>
Current	<b>5.2 A</b>	Speed	<b>1725 RPM</b>
Service Factor	<b>1.35</b>	Phase	<b>1</b>
Efficiency	<b>58.3 %</b>	Duty	<b>CONT</b>
Insulation Class	<b>B</b>	KVA Code	<b>N</b>
Frame	<b>56C</b>	Enclosure	<b>DP</b>
Overload Protector	<b>N/R</b>	Ambient Temperature	<b>40 °C</b>
Drive End Bearing Size	<b>6203</b>	Opp Drive End Bearing Size	<b>6203</b>
UL	<b>Recognized</b>	CSA	<b>Y</b>
CE	<b>N</b>		

### Technical Specifications

Electrical Type	<b>Capacitor start(CSIR)</b>	Starting Method	<b>SM</b>
Poles	<b>4</b>	Rotation	<b>CW/CCW</b>
Mounting	<b>N/R</b>	Motor Orientation	<b>ANY</b>
Drive End Bearing	<b>LOCKED</b>	Opp Drive End Bearing	<b>BALL</b>
Overall Length	<b>9.61 in</b>	Frame Length	<b>5.79 in</b>
Shaft Extension	<b>.625 X 1.88 - .188 X .188 KEY in</b>		
Outline Drawing	<b>52A109305P2</b>	Connection Diagram	<b>52A105381AA</b>

This is an uncontrolled document once printed or downloaded and is subject to change without notice. Date Created: 11/18/2019

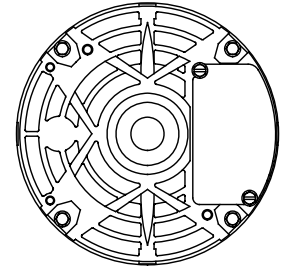
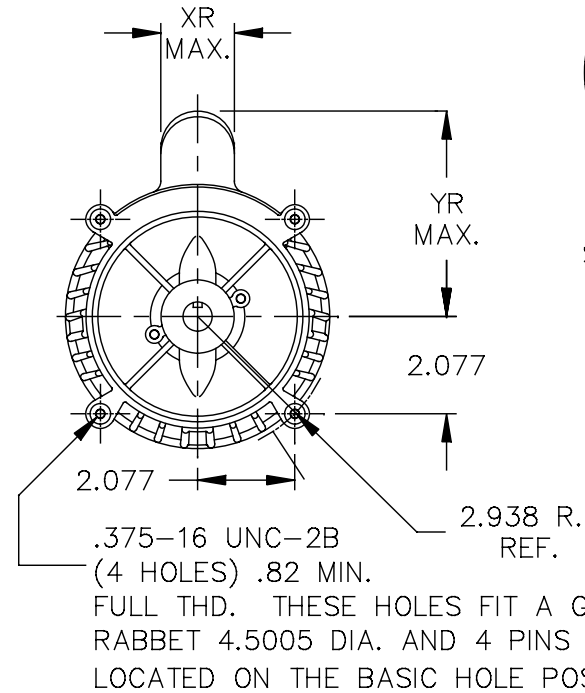
52A109305



FACE RUNOUT (WITH INDICATOR MOUNTED STATIONARY RELATIVE TO SHAFT) MUST NOT EXCEED .004 T.I.R.

WATER SLINGER (WHEN SPECIFIED)

ECCENTRICITY OF THIS SURFACE (WITH INDICATOR MOUNTED STATIONARY RELATIVE TO SHAFT) MUST NOT EXCEED .004 T.I.R.



VIEW SHOWING S.E. ENDSHIELD

4	KC	33	56C	9.23	7.09	5.83	1.52	1.60	4.36
3	KC	35	56C	9.61	7.47	6.21	1.76	2.10	4.68
2	KC	35	56C	9.61	7.47	6.21	1.76	1.60	4.31
1	KC	36	56C	10.04	7.80	7.07	1.48	1.60	4.31
P	TYPE	RBC SIZE	NEMA FR	C	AG	XH	XS	XR	YR

NO.	REVISION	BY & DATE	CHK	ANG	TOLERANCES UNLESS SPECIFIED	FINISH	CAD FILE	SIZE	DRAWING NO.	REV.
6	'XS' WAS 1.76 & 'YR' WAS 4.31, CHANGED DIMENSIONS FOR PART# 4 PER NMR-0094711	GRB 10/08/15	GRB	DEC.	INCHES					
					.X	±0.1				
5	REDRAWN IN DRAFT SIGHT - NO CHANGES	PVR 10/16/12	PKG	.XX	±0.02					
4	CHG TO RBC FORMAT PER IS05-1777	SUD 03/09/06		.XXX	±0.005					
3	ADDED PT#4	MAM 06/16/99		.XXXX	±0.0005					
					±1.0					
					RFP					
					DIST					
							52A109305	A	52A109305	6

THIS DRAWING IN DESIGN AND DETAIL IS OUR PROPERTY AND MUST NOT BE USED EXCEPT IN CONNECTION WITH OUR WORK ALL RIGHTS OF DESIGN AND INVENTION ARE RESERVED THIS IS AN ELECTRONICALLY GENERATED DOCUMENT - DO NOT SCALE THIS PRINT



**REGAL-BELOIT CORPORATION**

TITLE  
JET PUMP MOTOR - DRIP PROOF - R2 END MOUNTED

DRAWNB. JOHN 06/16/93

CHK

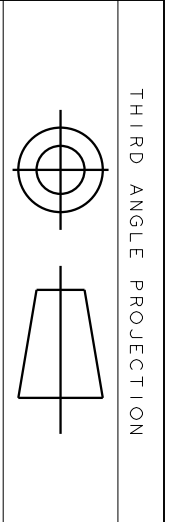
APPD B.L.J. 06/16/93

SCALE 1=1

REF

FMF

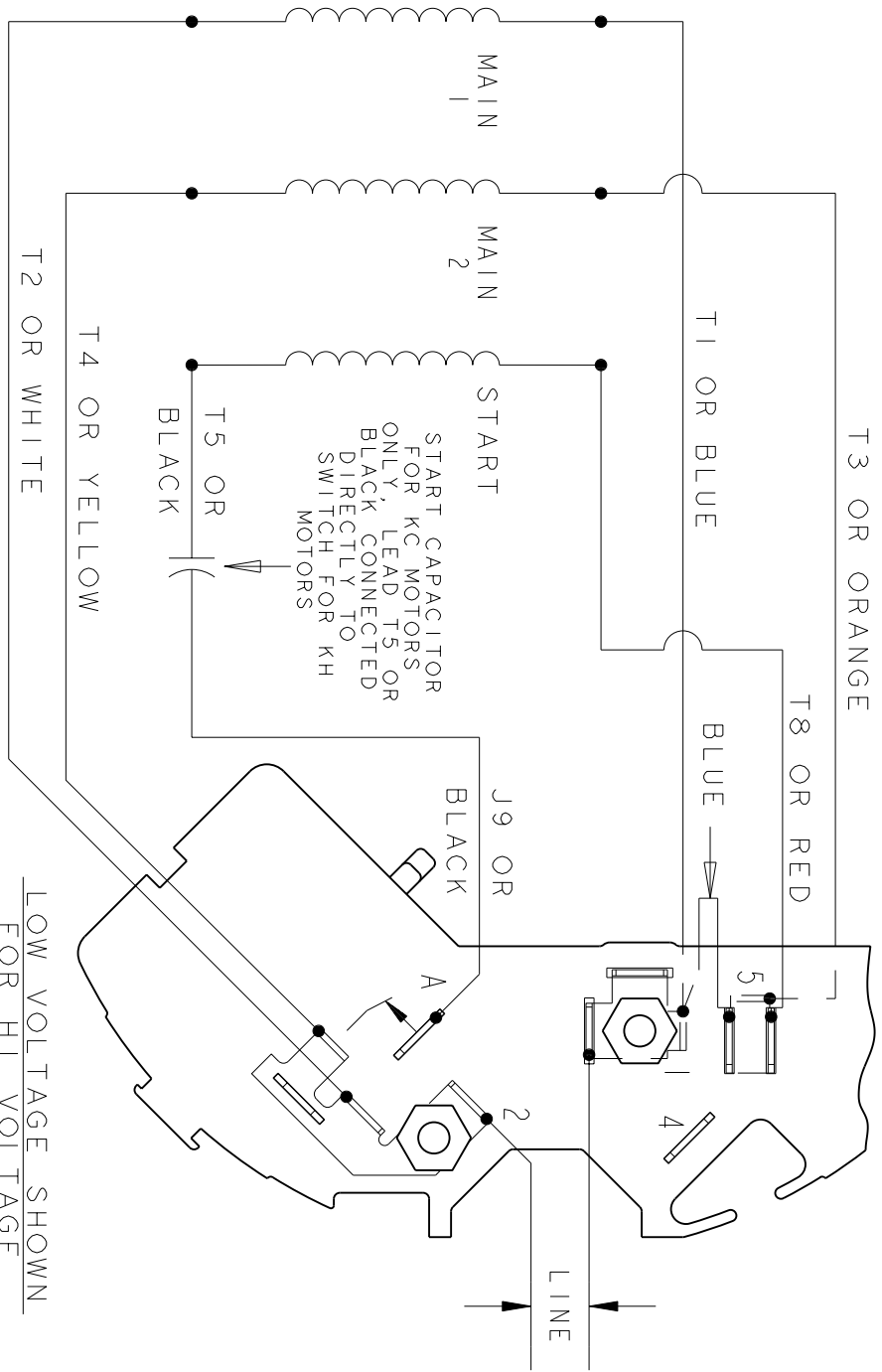
PREV



THIRD ANGLE PROJECTION

REVISIONS		DESCRIPTION	DATE	APPROVED
REV.	2	UPDATED FORMAT	01/04/06	MAM

EITHER ROTATION - DUAL VOLTAGE  
TYPE KC OR KH  
T3 OR ORANGE



LOW VOLTAGE SHOWN  
FOR HI VOLTAGE  
SEE NOTE #1

- NOTE #1 - FOR HI VOLTAGE REMOVE BLUE FROM TERMINAL #5 AND PLACE ON TERMINAL #4, REMOVE WHITE (T2) FROM TERMINAL #2 AND PLACE ON TERMINAL #5.
- NOTE #2 - TO REVERSE ROTATION INTERCHANGE RED (T8) AND BLACK (J9-KC OR T5-KH) LEADS.
- NOTE #3 - WHEN MORE THAN ONE CAPACITOR IS USED CONNECT IN PARALLEL.

REF. DIAG. - 121A852

SWITCH (C) - 115D958AB  
CONNECTION LABEL - 52X332050

SIGNATURES		DATE
MODEL	M.D. PAPE	06/29/87
DETAIL		
CHECKED		
ENGRG		
MFG		
FOR ADDITIONAL INFO REFER TO:		
APPLIED PRACTICES	QUALITY	
DIMENSIONS ARE IN INCHES	ISSUED	M.D.P. 06/29/87
MATERIAL	SOLID MODEL: 52A105381AA	



REGAL-BELOMT CORPORATION

TITLE  
**CONNECTION DIAGRAM**

FME: 30 FRAME SWITCH REDESIGN

SIZE	DRAWING	REV
A		2
SCALE: 1.000	REF. No.:	SHEET 1 of 1