

# PRODUCT INFORMATION PACKET

Model No: 5K49SN2185  
Catalog No: K501  
2,3450,TEFC,56C,3/60/208-230/460  
Totally Enclosed Fan Cooled (TEFC)



Regal and Marathon are trademarks of Regal Beloit Corporation or one of its affiliated companies.  
©2019 Regal Beloit Corporation, All Rights Reserved. MC017097E



### Nameplate Specifications

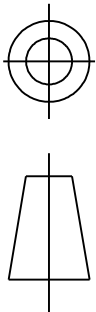
Output HP	<b>2 HP</b>	Output KW	<b>1.49 kW</b>
Frequency	<b>60 Hz</b>	Voltage	<b>208-230/460 V</b>
Current	<b>5.8-5.4 A</b>	Speed	<b>3450 RPM</b>
Service Factor	<b>1.15</b>	Phase	<b>3</b>
Efficiency	<b>0 %</b>	Duty	<b>Continuous</b>
Insulation Class	<b>B</b>	Design Code	<b>B</b>
KVA Code	<b>L</b>	Frame	<b>56C</b>
Enclosure	<b>Totally Enclosed Fan Cooled</b>	Overload Protector	<b>N/R</b>
Ambient Temperature	<b>40 °C</b>	Drive End Bearing Size	<b>6203</b>
Opp Drive End Bearing Size	<b>6203</b>	UL	<b>Recognized</b>
CSA	<b>Y</b>	CE	<b>N</b>

### Technical Specifications

Electrical Type	<b>Three Phase</b>	Starting Method	<b>N/R</b>
Poles	<b>2</b>	Rotation	<b>Counterclockwise/Clockwise</b>
Mounting	<b>Rigid</b>	Motor Orientation	<b>ANY</b>
Drive End Bearing	<b>BALL</b>	Opp Drive End Bearing	<b>BALL</b>
Frame Length	<b>7.68 in</b>	Shaft Extension	<b>.625 X 1.88 - .188 X .188 KEY in</b>
Outline Drawing	<b>52A109656P1</b>	Connection Diagram	<b>113A930FIG2</b>

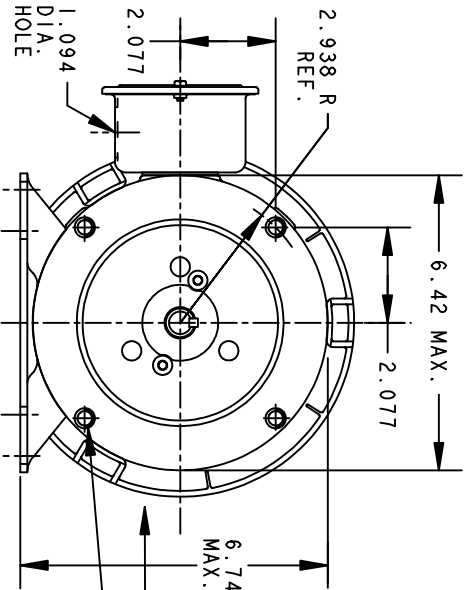
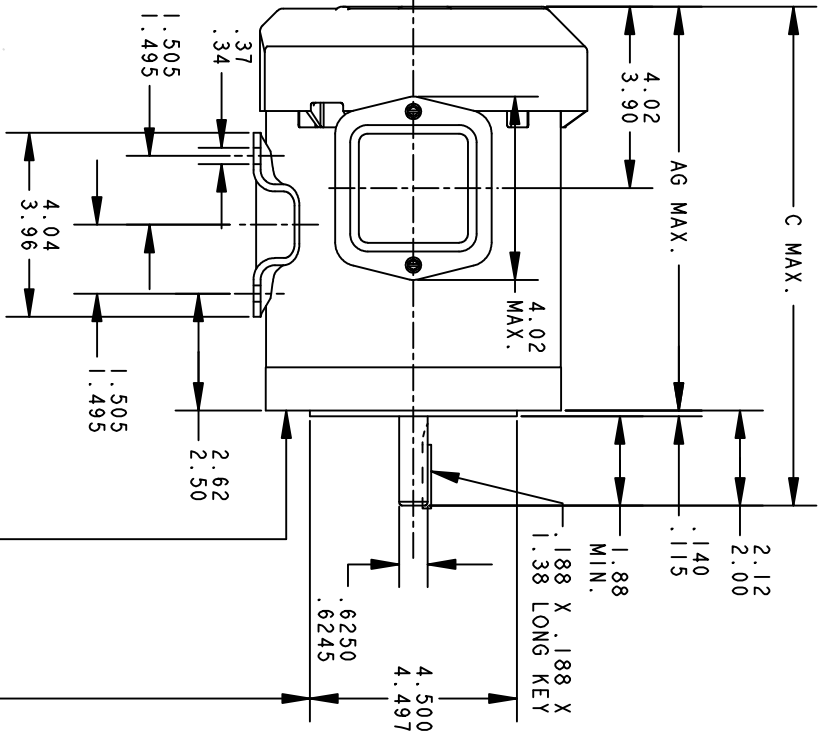
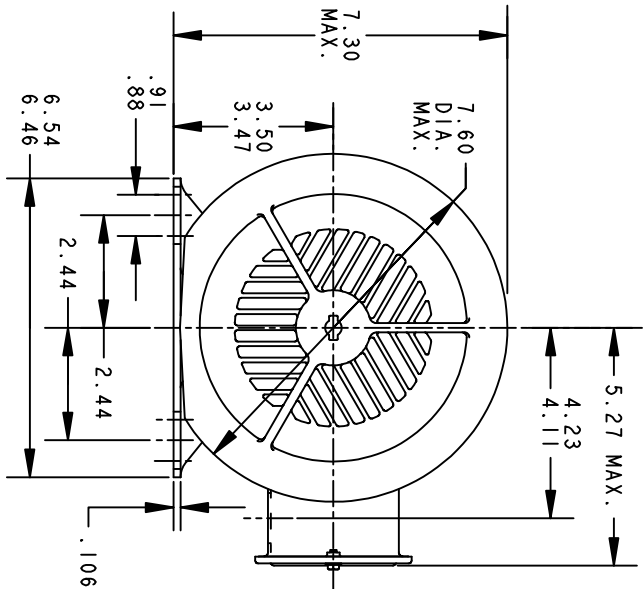
This is an uncontrolled document once printed or downloaded and is subject to change without notice. Date Created: 11/18/2019

THIRD ANGLE PROJECTION



REVISIONS

REV.	DESCRIPTION	DATE	APPROVED
1	CHG TO RBC FORMAT PER IS05-1177	03/22/06	SUDHA



FACE RUNOUT (WITH INDICATOR MOUNTED STATIONARY RELATIVE TO SHAFT) MUST NOT EXCEED .004 T.I.R.

ECCENTRICITY OF THIS SURFACE (WITH INDICATOR MOUNTED STATIONARY RELATIVE TO SHAFT) MUST NOT EXCEED .004 T.I.R.

VIEW OF P. E. END SHIELD

.375-16 UNC-2B (4 HOLES) .70 MIN. FULL THREAD. THESE HOLES FIT A GAGE HAVING A RABBIT 4.5005 DIA. AND 4 PINS .2917 DIA. LOCATED ON THE BASIC HOLE POSITIONS.

P	TYPE	GE SIZE	NEMA FR	AG	MIN. SHELL	
1	K	49	56C	12.97	10.85	7.68

SIGNATURES		DATE
MODEL	M. D. PAPE	08/03/94
DETAIL		
CHECKED		
ENGRG		
MFG		
QUALITY		
ISSUED	M. D. PAPE	08/03/94

**REGAL-BELOIT CORPORATION**

OUTLINE

40 FRAME REDESIGN - GENERAL PURPOSE MOTOR - TEFC BALL BEARING - WELDED BASE - R2 END MOUNTED

52A109656

FOR ADDITIONAL INFO REFER TO:		
APPLIED PRACTICES		
DIMENSIONS ARE IN INCHES		
MATERIAL		

SCALE: 0.250 REF. No. SHEET 1 of 1

REVISIONS

REV.	DESCRIPTION	DATE	APPROVED
1	CHG TO RBC FORMAT PER IS05-1777	06/15/06	MADHU
2	RENAMED 113A930_FIG-2 TO 113A930FIG2 PER IS07-0972	05/08/07	MADHU

This document is the property of REGAL-BELOIT CORPORATION ("RBC") including its subsidiaries and divisions and contains proprietary information of RBC. This document is loaned on the express condition that neither the recipient nor any other person shall be permitted to disclose or disseminate the information contained herein without the express written consent of RBC. This document shall be returned to RBC upon its request. This document may be subject to certain restrictions under U.S. export control laws and regulations.

THIRD ANGLE PROJECTION

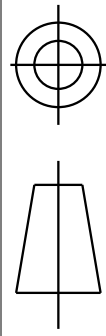
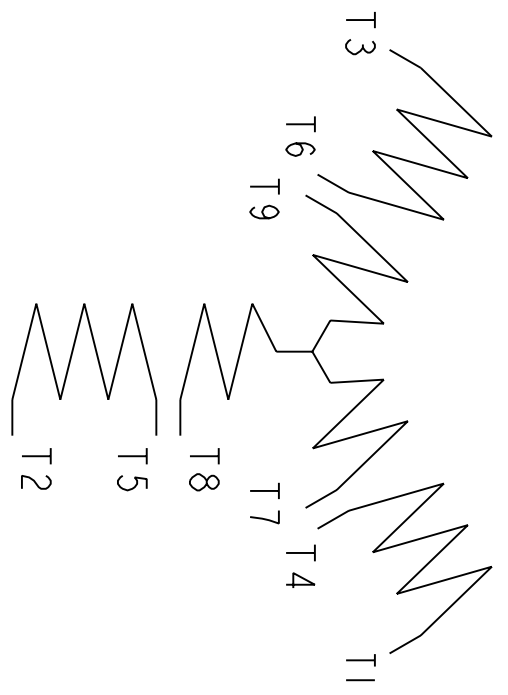


FIG. 2

3 PHASE



	VOLTS	L1	L2	L3	TOGETHER
2Y	LOW	1-7	2-8	3-9	4-5-6
1Y	HIGH	1	2	3	4-7, 5-8, 6-9

BRAKE MOTORS : CONNECT BRAKE LEADS B1 & B2 TO MOTOR LEADS T7 & T8.

FOR ADDITIONAL INFO REFER TO:

APPLIED PRACTICES	SIGNATURES	DATE
DIMENSIONS ARE IN INCHES	M.D. PAPE	02/23/03
DETAIL		
CHECKED		
ENGRG		
MFG		
QUALITY		
ISSUED	M.D. PAPE	02/23/03



REGAL-BELOIT CORPORATION

CONNECTION DIAGRAM

TOLERANCE ON:	FINISH
1 PL DECIMALS ± 0.1	✓
2 PL DECIMALS ± 0.02	
3 PL DECIMALS ± 0.005	
ANGLES ± 1.0	
FRACTIONS ±	
MATERIAL	SOLID MODEL: 113A930FIG2

TITLE	SIZE	DRAWING	SCALE	REF. No.	SHEET	REV
CONNECTION DIAGRAM	A	DRAWING	1:000		1 of 1	2