

# PRODUCT INFORMATION PACKET

Model No: 5K36JN2  
Catalog No: K115  
1/2,3600,DP,48,3/60/208-230/460  
Open Drip Proof (ODP)



Regal and Marathon are trademarks of Regal Beloit Corporation or one of its affiliated companies.  
©2019 Regal Beloit Corporation, All Rights Reserved. MC017097E



### Nameplate Specifications

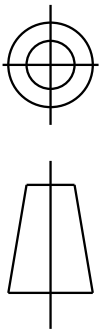
Output HP	<b>1/2 HP</b>	Output KW	<b>0.37 kW</b>
Frequency	<b>60 Hz</b>	Voltage	<b>208-230/460 V</b>
Current	<b>2.0-2.0 A</b>	Speed	<b>3450 RPM</b>
Service Factor	<b>1</b>	Phase	<b>3</b>
Efficiency	<b>0 %</b>	Duty	<b>Continuous</b>
Insulation Class	<b>B</b>	KVA Code	<b>M</b>
Frame	<b>48</b>	Enclosure	<b>Drip Proof</b>
Overload Protector	<b>N/R</b>	Ambient Temperature	<b>40 °C</b>
Drive End Bearing Size	<b>6203</b>	Opp Drive End Bearing Size	<b>6203</b>
UL	<b>Recognized</b>	CSA	<b>Yes</b>
CE	<b>N</b>		

### Technical Specifications

Electrical Type	<b>Three Phase</b>	Starting Method	<b>N/R</b>
Poles	<b>2</b>	Rotation	<b>Counterclockwise/Clockwise</b>
Mounting	<b>Rigid Base</b>	Motor Orientation	<b>ANY</b>
Drive End Bearing	<b>BALL</b>	Opp Drive End Bearing	<b>BALL</b>
Frame Material	<b>Rolled Steel</b>	Overall Length	<b>9.68 in</b>
Frame Length	<b>6.22 in</b>	Shaft Extension	<b>.500 X 1.50 FLAT in</b>
Outline Drawing	<b>52A109855P1</b>	Connection Diagram	<b>113A930FIG2</b>

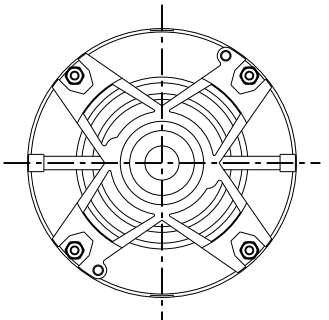
This is an uncontrolled document once printed or downloaded and is subject to change without notice. Date Created: 09/23/2019

THIRD ANGLE PROJECTION

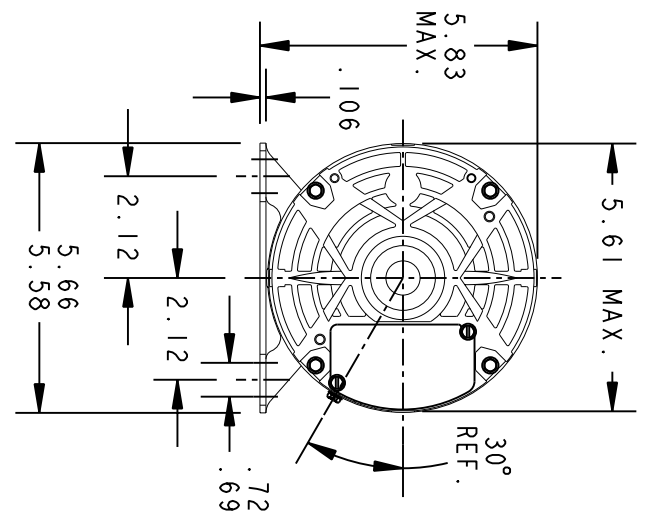


REVISIONS

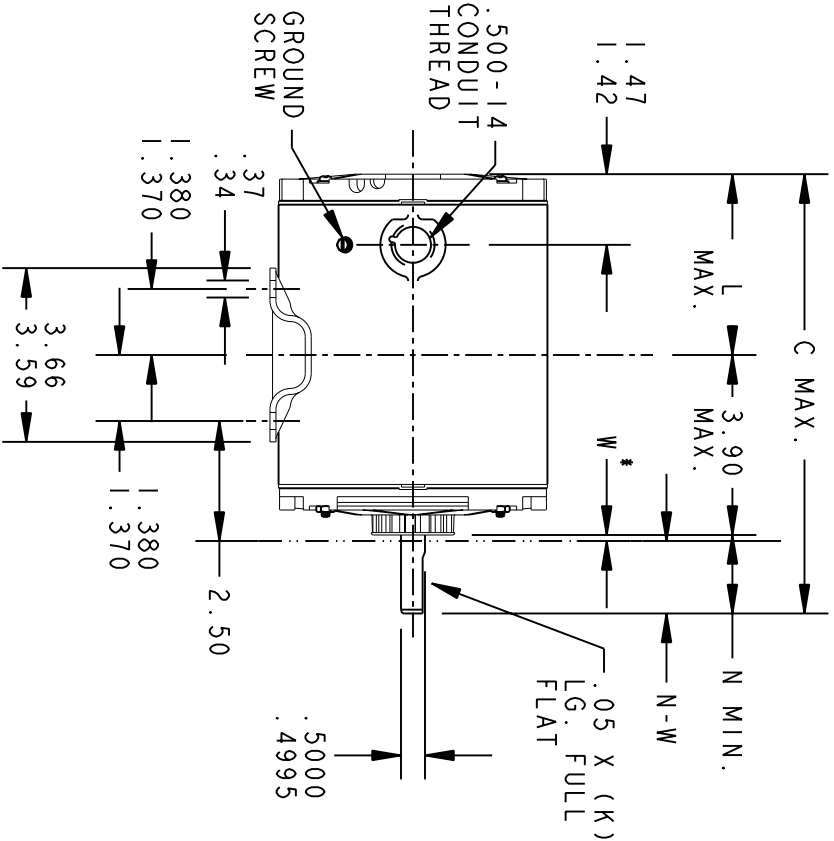
REV.	DESCRIPTION	DATE	APPROVED
1	CHG TO RBC FORMAT PER ISO5-1777	04/03/06	SUDHA



VIEW SHOWING P.E. VENTILATION OPENINGS



W\* IS A CLEARANCE DUE TO VARIATION IN PARTS AND ASSEMBLY.



I	K	36	48	9.68	1.16	4.22	1.50	1.63/1.41	6.22
P	TYPE	GE SIZE	NEMA FR	C	K	L	N	N-W	SHELL REF.

SIGNATURES	DATE
MODEL M.D. PAPE	07/24/96
DETAIL	
CHECKED	
ENGRG	
MFG	
QUALITY	
ISSUED	07/24/96
SOLID MODEL: 52A109855	



REGAL-BELOTT CORPORATION

TITLE OUTLINE

FORM N - GENERAL PURPOSE MOTOR - DRIP PROOF - WELDED BASE - BALL OR SLEEVE BEARING

FOR ADDITIONAL INFO REFER TO:
APPLIED PRACTICES
DIMENSIONS ARE IN INCHES
MATERIAL

SIZE DRAWING	A
SCALE: 0.250	REF. No.:
52A109855	REV 1
SHEET 1 of 1	

REVISIONS

REV.	DESCRIPTION	DATE	APPROVED
1	CHG TO RBC FORMAT PER IS05-1777	06/15/06	MADHU
2	RENAMED 113A930_FIG-2 TO 113A930FIG2 PER IS07-0972	05/08/07	MADHU

This document is the property of REGAL-BELOIT CORPORATION ("RBC") including its subsidiaries and divisions and contains proprietary information of RBC. This document is loaned on the express condition that neither the recipient nor any other person shall be permitted to disclose or disseminate the information contained herein and that the recipient shall return this document to RBC upon its request. This document shall be restricted to RBC upon its request. This document may be subject to certain restrictions under U.S. export control laws and regulations.

THIRD ANGLE PROJECTION

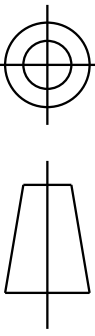
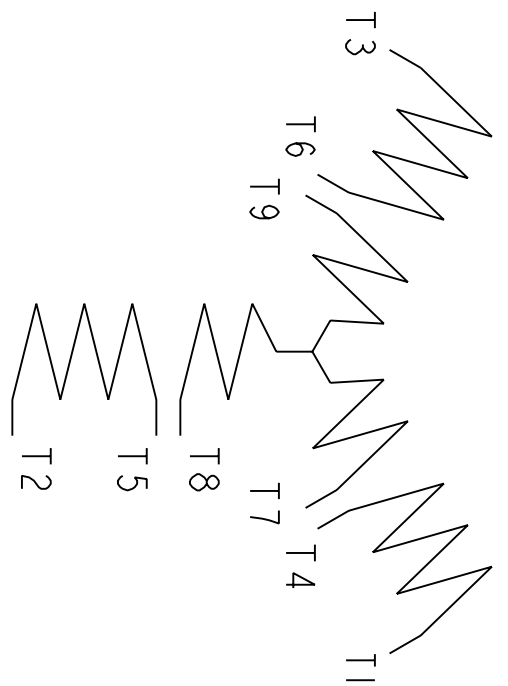


FIG. 2

3 PHASE



	VOLTS	L1	L2	L3	TOGETHER
2Y	LOW	1-7	2-8	3-9	4-5-6
1Y	HIGH	1	2	3	4-7, 5-8, 6-9

BRAKE MOTORS : CONNECT BRAKE LEADS B1 & B2 TO MOTOR LEADS T7 & T8.

FOR ADDITIONAL INFO REFER TO:	SIGNATURES	DATE
APPLIED PRACTICES	M.D. PAPE	02/23/03
DIMENSIONS ARE IN INCHES	DETAIL	.
TOLERANCE ON:	CHECKED	.
1 PL DECIMALS ± 0.1	ENGRG	.
2 PL DECIMALS ± 0.02	MFG	.
3 PL DECIMALS ± 0.005	QUALITY	.
ANGLES ± 1.0	ISSUED	M.D. PAPE
FRACTIONS ±	FINISH	02/23/03
MATERIAL	SOLID MODEL: 113A930FIG2	



REGAL-BELOIT CORPORATION

TITLE CONNECTION DIAGRAM

SIZE	DRAWING	SCALE: 1.000	REF. No:	SHEET 1 of 1
A				
113A930FIG2				REV 2