

PRODUCT INFORMATION PACKET

Model No: 444TTDS4036
Catalog No: E743
150,1800,DP,444T,3/60/460
Open Drip Proof (ODP)



Regal and Marathon are trademarks of Regal Beloit Corporation or one of its affiliated companies.
©2019 Regal Beloit Corporation, All Rights Reserved. MC017097E



Nameplate Specifications

Output HP	150 HP	Output KW	112 kW
Frequency	60 Hz	Voltage	460 V
Current	176 A	Speed	1785 RPM
Service Factor	1.15	Phase	3
Efficiency	95 %	Duty	CONTINUOUS
Insulation Class	B	Design Code	B
KVA Code	G	Frame	444T
Enclosure	DP	Overload Protector	NOT
Ambient Temperature	40 °C	Drive End Bearing Size	6318
Opp Drive End Bearing Size	6316	UL	Recognized
CSA	Y	CE	Y
IP Code	12		

Technical Specifications

Electrical Type	SQ CAGE IND RUN	Starting Method	PART WINDING START
Poles	4	Rotation	REV
Mounting	RIGID	Motor Orientation	HORIZONTAL
Drive End Bearing	BALL	Opp Drive End Bearing	BALL
Frame Material	CAST IRON	Shaft Type	T
Overall Length	37.83 in	Frame Length	18.5 in
Shaft Diameter	3.38 in	Shaft Extension	8.75 in
Assembly/Box Mounting	F1/F2 CAPABLE		
Outline Drawing	B-SS509449-1850	Connection Diagram	A-EE7341C

This is an uncontrolled document once printed or downloaded and is subject to change without notice. Date Created: 11/12/2019

4

3

Uncontrolled Copy

2

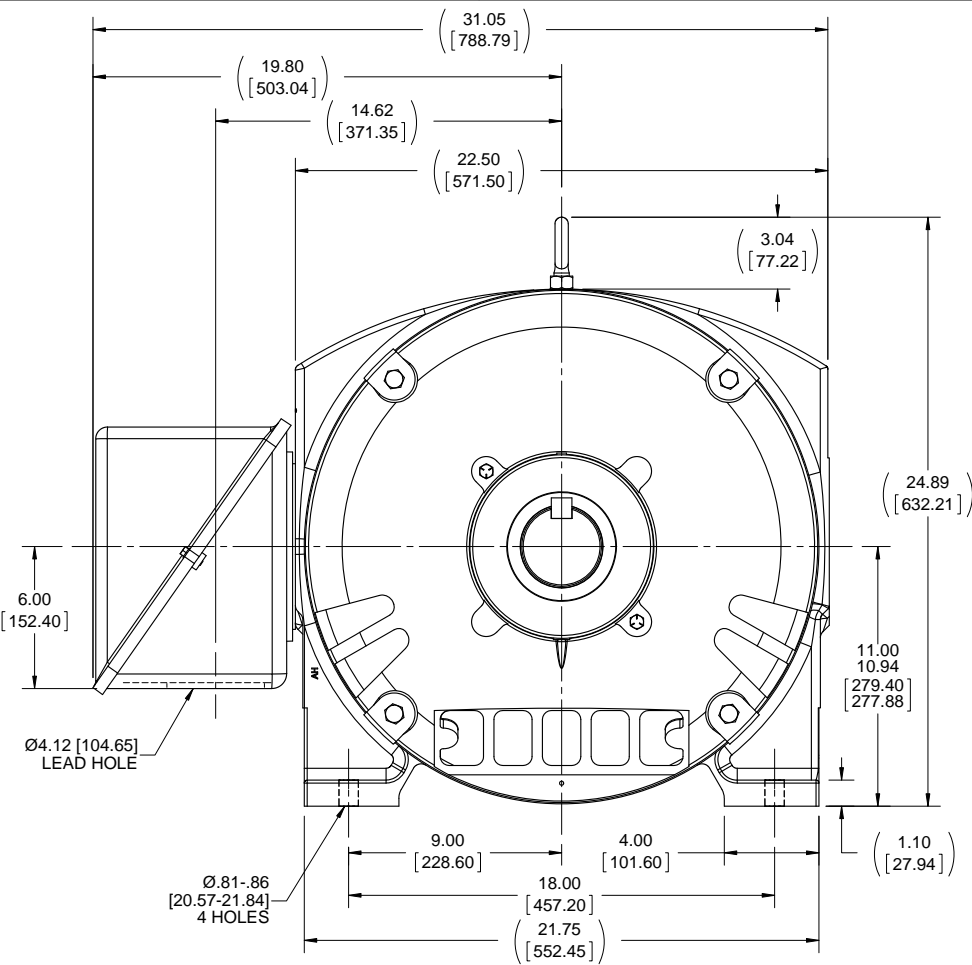
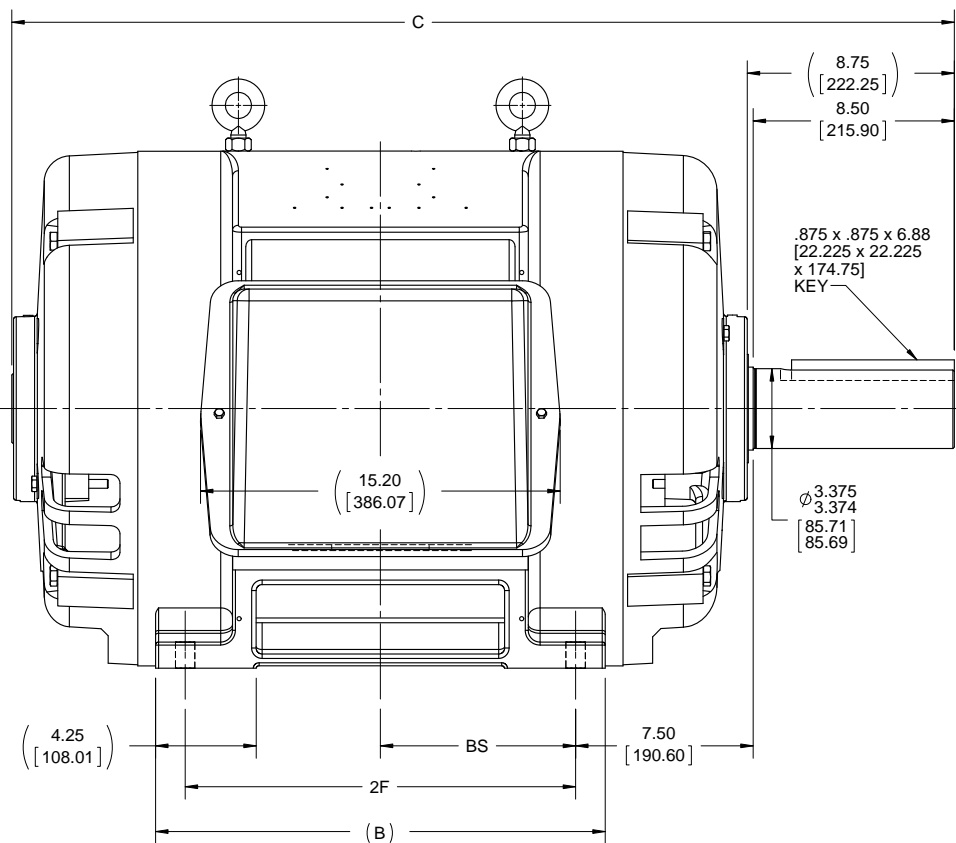
1

B

B

A

A



- NOTES:
 1. CONDUIT BOX CAN BE ROTATED IN 90° STEPS.
 2. CONDUIT BOX CAN BE MOUNTED ON OPPOSITE SIDE BY REMOVING BRACKETS AND TURNING FRAME 180°.
 3. NAMEPLATES TO BE READ FROM CONDUIT BOX SIDE OF MOTOR.

DASH	FRAME	B	C	2F	BS
1850	444T	17.00 [431.80]	37.83 [960.88]	14.50 [368.30]	7.25 [184.15]
2050	445T	19.00 [482.60]	39.83 [1011.68]	16.50 [419.10]	8.25 [209.55]

DRAWING REVISION C	REVISION BY JJB	DATE 11-10-2016
ECO ECO-0112780	APPROVED BY TDB	DATE 11-10-2016
ECO DESCRIPTION UPDATED TO CURRENT STD'S. & DWG. MARK UP		
<small> COPYRIGHT REGAL BELOIT AMERICA, INC. ALL RIGHTS RESERVED. PROPRIETARY AND CONFIDENTIAL INFORMATION - THIS DOCUMENT IS THE PROPERTY OF REGAL BELOIT AMERICA, INC. (OWNER) AND CONTAINS OWNER'S PROPRIETARY INFORMATION. ANY PERSON, CORPORATION OR OTHER FIRM RECEIVING IT IS DEEMED, BY RECEIVING IT, TO AGREE THAT IT, AND/OR ANY PART OF IT, SHALL NOT BE DISCLOSED TO ANY PERSON, CORPORATION OR OTHER ENTITY, DUPLICATED, AND/OR USED, EXCEPT AS EXPRESSLY APPROVED IN WRITING IN ADVANCE BY OWNER. THIS DOCUMENT SHALL BE RETURNED TO OWNER UPON REQUEST. IT MAY BE SUBJECT TO CERTAIN RESTRICTIONS UNDER APPLICABLE EXPORT CONTROL LAWS AND REGULATIONS. </small>		

TOLERANCES UNLESS OTHERWISE SPECIFIED:		
DEC.	INCH	mm
.X	+0.1	[±2.5]
.XX	+0.03	[±0.76]
.XXX	+0.005	[±0.127]
.XXXX	+0.0005	[±0.0127]
REMOVE BURRS & BREAK SHARP EDGES: .003/.015 [0.076/.381] X 45°		
CORNER FILLETS: R.02 [51]		
MACHINED SURFACES: 200		
mm SHOWN IN [BRACKETS]		

DRAWN BY TLB	DATE 03-11-1988
APPROVED BY ML	DATE 03-11-1988
REFERENCE	THIRD ANGLE PROJECTION

REGAL™ Regal Beloit America, Inc.

DESCRIPTION
OUTLINE
440T FR. - DR. PR. - NO SCREENS

MATERIAL
PROCESS/FINISH

SIZE
B

DRAWING NUMBER
SS509449

SHEET
1 OF 1

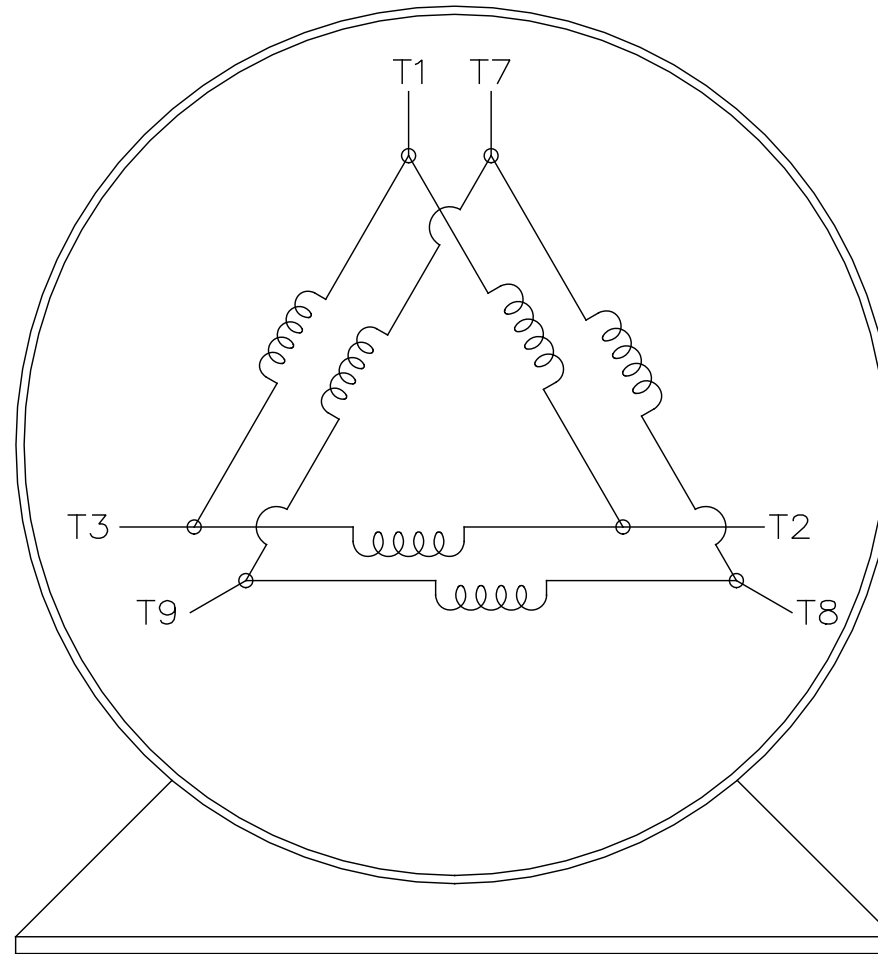
THREE PHASE – PART WINDING START
DELTA – 6 LEADS

START

CONNECT T1 TO LINE 1
CONNECT T2 TO LINE 2
CONNECT T3 TO LINE 3
T7–T8–T9 OPEN

RUN

CONNECT T1&T7 TO LINE 1
CONNECT T2&T8 TO LINE 2
CONNECT T3&T9 TO LINE 3



VIEW OF TERMINAL END

		TOLERANCES UNLESS SPECIFIED		REGAL - BELOIT CORPORATION		DRAWN BLR 03-09-1998		
		DEC.	INCHES	REGAL		CHK	ML 03-23-1998	
		.X	±			APPD	GK 03-23-1998	
		.XX	±	TITLE		SCALE	1=1	
		.XXX	±	CONNECTION DIAGRAM		REF		
				3Ø – 6 LEADS		FMF		
D	RE-DRAWN WITH REGAL LOGO ECO-0110493	WGJ	09-30-2016	EMH	.XXXX ±	MAT'L.		
NO.	REVISION	BY & DATE	CHK	ANG	±	FINISH	PREV	
THIS DRAWING IN DESIGN AND DETAIL IS OUR PROPERTY AND MUST NOT BE USED EXCEPT IN CONNECTION WITH OUR WORK ALL RIGHTS OF DESIGN AND INVENTION ARE RESERVED THIS IS AN ELECTRONICALLY GENERATED DOCUMENT – DO NOT SCALE THIS PRINT				RFP	CAD FILE EE7341C		SIZE	DRAWING NO. PAGE OF REV.
				DIST			A	EE7341C D