

PRODUCT INFORMATION PACKET

Model No: 405TTDS7301
Catalog No: M853
150,3600,DP,405HPV,3/60/460
Other Purpose



Regal and Marathon are trademarks of Regal Beloit Corporation or one of its affiliated companies.
©2019 Regal Beloit Corporation, All Rights Reserved. MC017097E



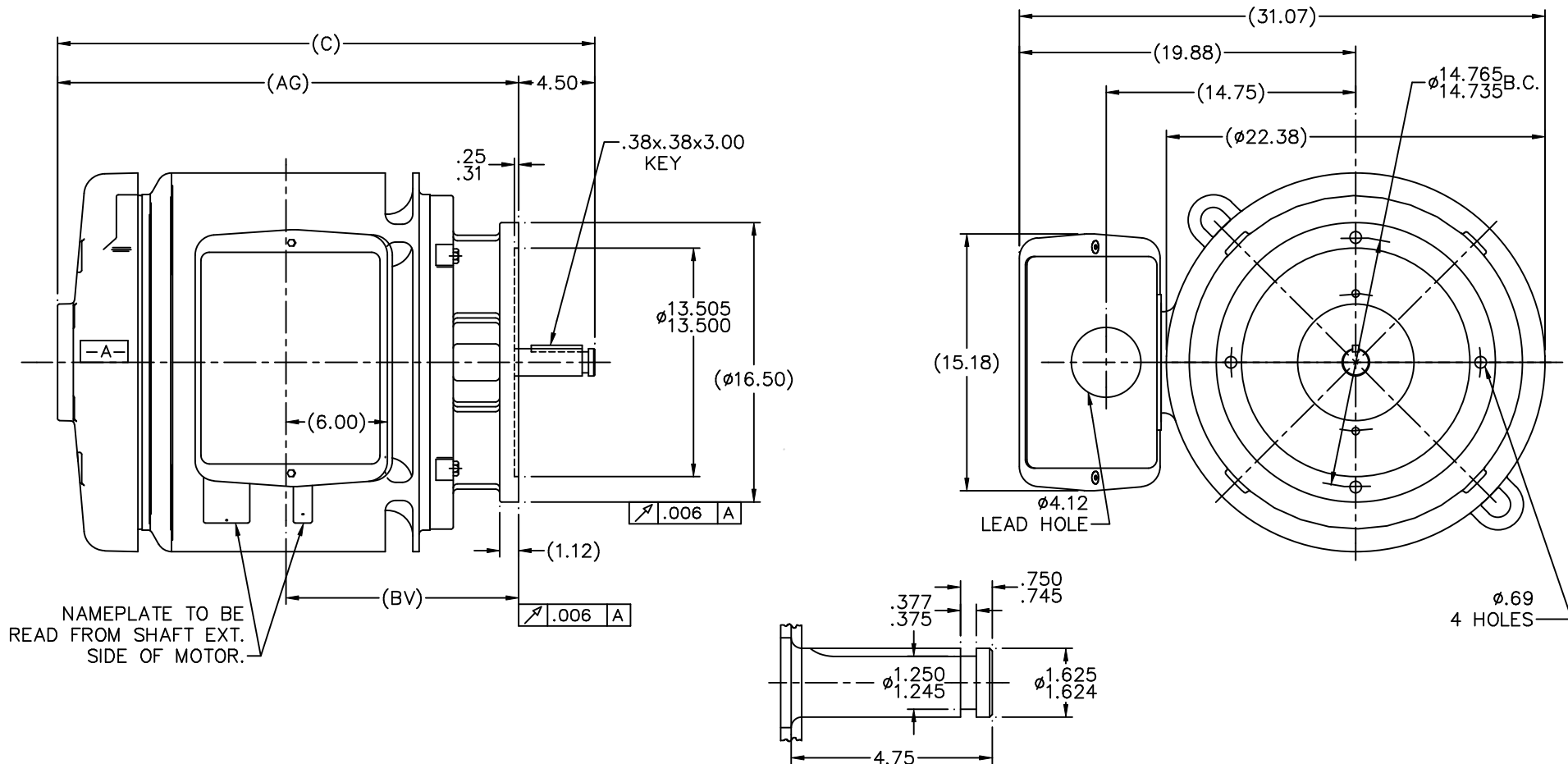
Nameplate Specifications

Output HP	150 HP	Output KW	112 kW
Frequency	60 Hz	Voltage	460 V
Current	167 A	Speed	3565 RPM
Service Factor	1.15	Phase	3
Efficiency	93 %	Duty	CONTINUOUS
Insulation Class	B	Design Code	B
KVA Code	G	Frame	405HPV
Enclosure	DP	Overload Protector	NOT
Ambient Temperature	40 °C	Drive End Bearing Size	6312
Opp Drive End Bearing Size	6312	UL	Recognized
CSA	Y	CE	Y
IP Code	12		

Technical Specifications

Electrical Type	SQ CAGE IND RUN	Starting Method	ACROSS THE LINE
Poles	2	Rotation	REV
Mounting	ROUND	Motor Orientation	SHAFT DOWN
Drive End Bearing	BALL	Opp Drive End Bearing	BALL
Frame Material	CAST IRON	Shaft Type	HP
Overall Length	31.75 in	Frame Length	17 in
Shaft Diameter	1.63 in	Shaft Extension	4.5 in
Assembly/Box Mounting	F1/F2 CAPABLE		
Outline Drawing	B-SS504367-1700	Connection Diagram	A-EE7300U

This is an uncontrolled document once printed or downloaded and is subject to change without notice. Date Created: 09/23/2019



NAMEPLATE TO BE READ FROM SHAFT EXT. SIDE OF MOTOR.

DETAIL OF SHAFT EXT.

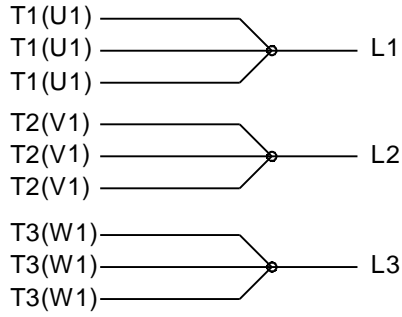
NOTE:
1. CONDUIT BOX CAN BE ROTATED IN 90° STEPS.

					TOLERANCES UNLESS SPECIFIED				DRAWN KL 10-21-1993		
					DEC.	INCHES			CHK ML 10-21-1993		
					12	UPDATED DRAWING 400 FR. WAS 400 HP	RJW 05-07-2007	ML .X ±.1	TITLE OUTLINE		
					11	REVISED FRONT BRKT. PER CASTING CHANGES CN29499	NJS 07-24-2001	.XX ±.03	400 FR. - DR. PR.		
					10	UPDATED C'BOX GEOMETRY CN28063	NJS 02-15-2000	.XXX ±.005	SCALE 1=6		
					9	REDRAWN ON CADD - NO CHANGE 4086472	KL 10-28-1993	.XXXX ±.0005	REF		
					NO. REVISION		CHK ANG ±7'30"	MATL		FMF	
					BY & DATE		FINISH	PREV			
					THIS DRAWING IN DESIGN AND DETAIL IS OUR PROPERTY AND MUST NOT BE USED EXCEPT IN CONNECTION WITH OUR WORK ALL RIGHTS OF DESIGN AND INVENTION ARE RESERVED THIS IS AN ELECTRONICALLY GENERATED DOCUMENT - DO NOT SCALE THIS PRINT						
					RFP	CAD FILE ss504367			SIZE B	DRAWING NO. SS504367	PAGE OF 12
					DIST WA						

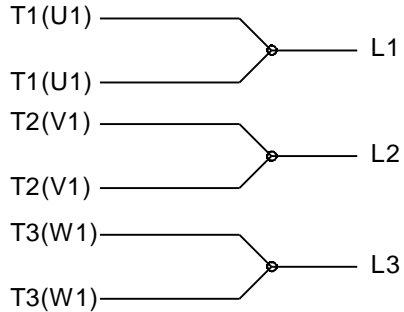
DASH	FRAME	C	AG	BV
1700	400FR	31.75	27.25	13.75

ERROR: undefined
OFFENDING COMMAND: Psc
STACK :

IF MOTOR HAS 9 LEADS

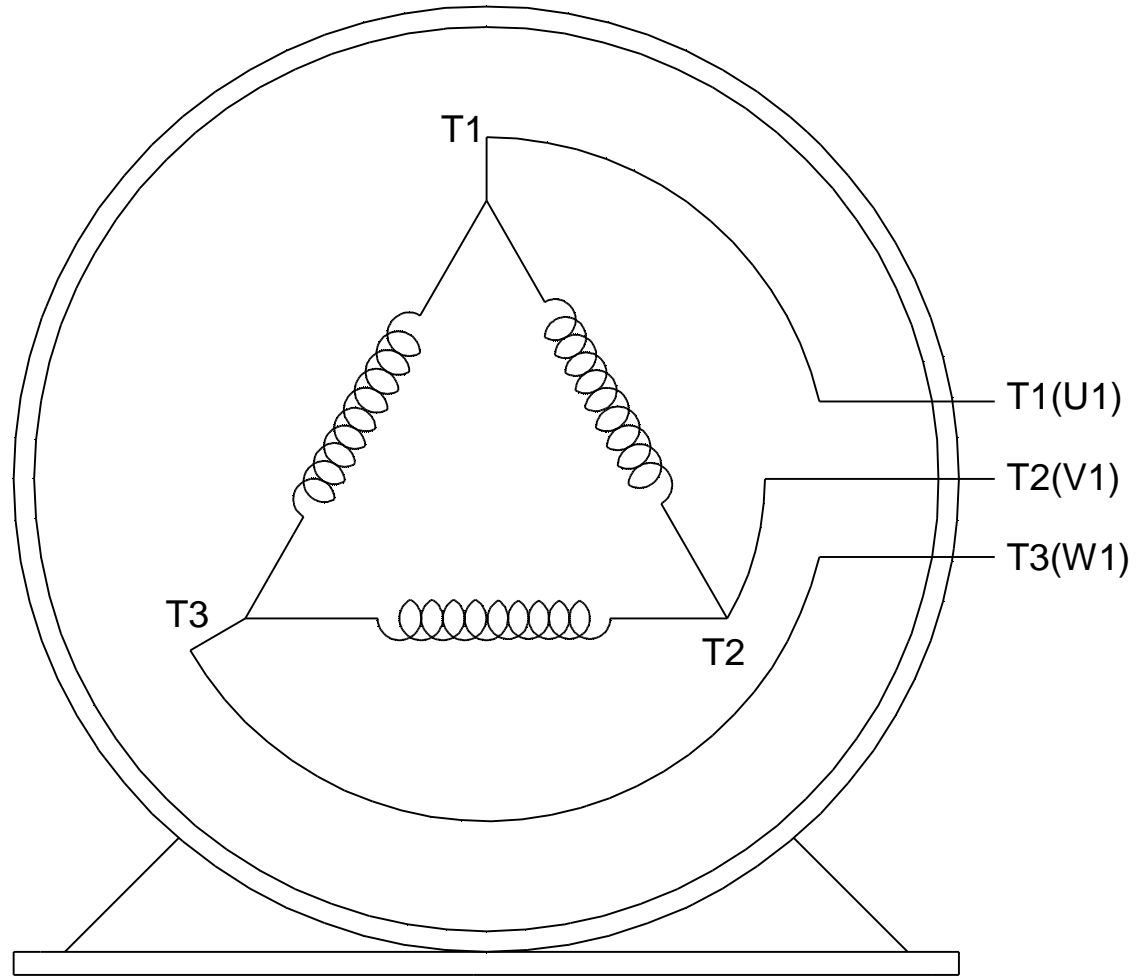
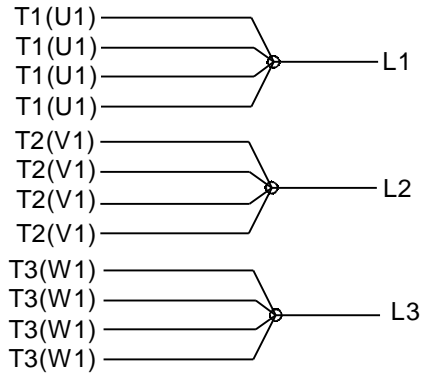


IF MOTOR HAS 6 LEADS



A-9806 DECAL IF CALLED FOR

IF MOTOR HAS 12 LEADS



VIEW OF TERMINAL END

DRAWING REVISION L	REVISION BY AJW	DATE 05-04-2015	TOLERANCES UNLESS OTHERWISE SPECIFIED:	DRAWN BY DRS	Regal Beloit America, Inc.																					
ECO ECO-0077067	APPROVED BY EWH	DATE 05-05-2015	<table style="font-size: small; border-collapse: collapse;"> <tr> <td><u>DEC.</u></td> <td><u>INCH</u></td> <td><u>mm</u></td> <td><u>ANGLE</u></td> </tr> <tr> <td>.X</td> <td>±0.1</td> <td>[±2.5]</td> <td>±7' 30"</td> </tr> <tr> <td>.XX</td> <td>±0.02</td> <td>[±0.51]</td> <td></td> </tr> <tr> <td>.XXX</td> <td>±0.005</td> <td>[±0.127]</td> <td></td> </tr> <tr> <td>.XXXX</td> <td>±0.0005</td> <td>[±0.0127]</td> <td></td> </tr> </table>	<u>DEC.</u>			<u>INCH</u>	<u>mm</u>	<u>ANGLE</u>	.X	±0.1	[±2.5]	±7' 30"	.XX	±0.02	[±0.51]		.XXX	±0.005	[±0.127]		.XXXX	±0.0005	[±0.0127]		DATE 09-27-1996
<u>DEC.</u>	<u>INCH</u>	<u>mm</u>	<u>ANGLE</u>																							
.X	±0.1	[±2.5]	±7' 30"																							
.XX	±0.02	[±0.51]																								
.XXX	±0.005	[±0.127]																								
.XXXX	±0.0005	[±0.0127]																								
ECO DESCRIPTION UPDATED TO SOLIDWORKS <small>COPYRIGHT REGAL BELOIT AMERICA, INC. ALL RIGHTS RESERVED. PROPRIETARY AND CONFIDENTIAL INFORMATION - THIS DOCUMENT IS THE PROPERTY OF REGAL BELOIT AMERICA, INC. ("OWNER") AND CONTAINS OWNER'S PROPRIETARY INFORMATION. ANY PERSON, CORPORATION OR OTHER FIRM RECEIVING IT IS DEEMED, BY RECEIVING IT, TO AGREE THAT IT, AND/OR ANY PART OF IT, SHALL NOT BE DISCLOSED TO ANY PERSON, CORPORATION OR OTHER ENTITY, DUPLICATED, AND/OR USED, EXCEPT AS EXPRESSLY APPROVED IN WRITING IN ADVANCE BY OWNER. THIS DOCUMENT SHALL BE RETURNED TO OWNER UPON REQUEST. IT MAY BE SUBJECT TO CERTAIN RESTRICTIONS UNDER APPLICABLE EXPORT CONTROL LAWS AND REGULATIONS.</small>			APPROVED BY GK	MATERIAL PROCESS/FINISH																						
			DATE 09-30-1996			SIZE A DRAWING NUMBER EE7300U																				
REMOVE BURRS & BREAK SHARP EDGES: .003/.015 [.076/.381] X 45° CORNER FILLETS: R.02 [.51] MACHINED SURFACES: 200 $\sqrt{\text{INCH}}$ 5.1 $\sqrt{\text{mm}}$ mm SHOWN IN [BRACKETS]			REFERENCE	SHEET 1 OF 1																						
			THIRD ANGLE PROJECTION			SHEET 1 OF 1																				