

PRODUCT INFORMATION PACKET

Model No: 405TTDS4376
Catalog No: M843A
75,1200,DP,405HPV,3/60/230/460
Vertical Solid Shaft P-Base



Regal and Marathon are trademarks of Regal Beloit Corporation or one of its affiliated companies.
©2019 Regal Beloit Corporation, All Rights Reserved. MC017097E



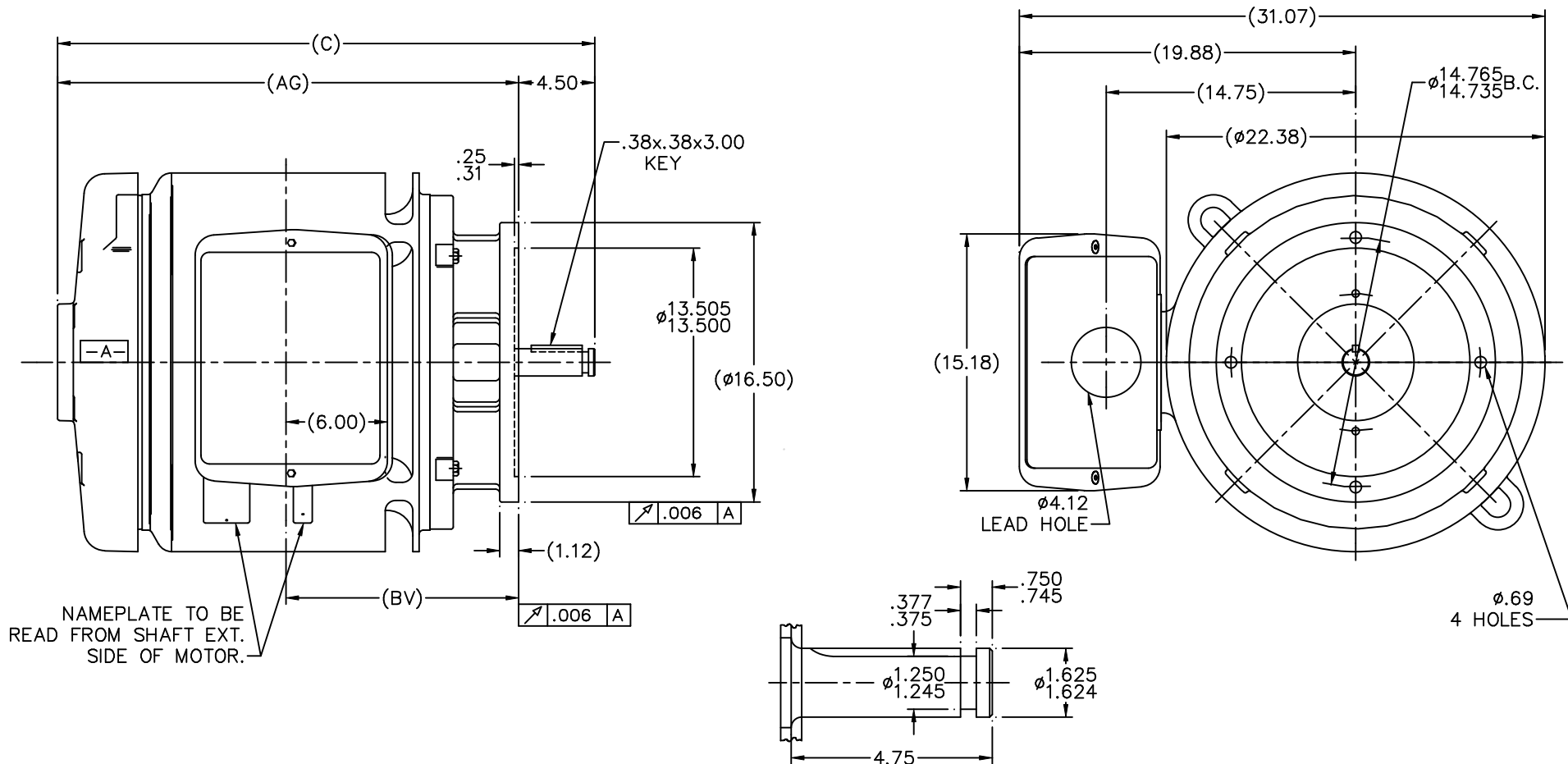
Nameplate Specifications

Output HP	75 HP	Output KW	56.0 kW
Frequency	60 Hz	Voltage	230/460 V
Current	176.0/88.0 A	Speed	1185 RPM
Service Factor	1.15	Phase	3
Efficiency	93.6 %	Duty	Continuous
Insulation Class	F	Design Code	B
KVA Code	G	Frame	405HPV
Enclosure	Drip Proof	Overload Protector	No
Ambient Temperature	40 °C	Drive End Bearing Size	6314
Opp Drive End Bearing Size	6314	UL	Recognized
CSA	Y	CE	Y
IP Code	12		

Technical Specifications

Electrical Type	Squirrel Cage Induction Run	Starting Method	Across The Line
Poles	6	Rotation	Reversible
Mounting	Round	Motor Orientation	Shaft Down
Drive End Bearing	Ball	Opp Drive End Bearing	Ball
Frame Material	Cast Iron	Shaft Type	HP
Overall Length	31.75 in	Frame Length	17.00 in
Shaft Diameter	1.625 in	Shaft Extension	4.5 in
Assembly/Box Mounting	F1/F2 CAPABLE		
Outline Drawing	B-SS504367-1700	Connection Diagram	A-EE7308

This is an uncontrolled document once printed or downloaded and is subject to change without notice. Date Created: 09/23/2019



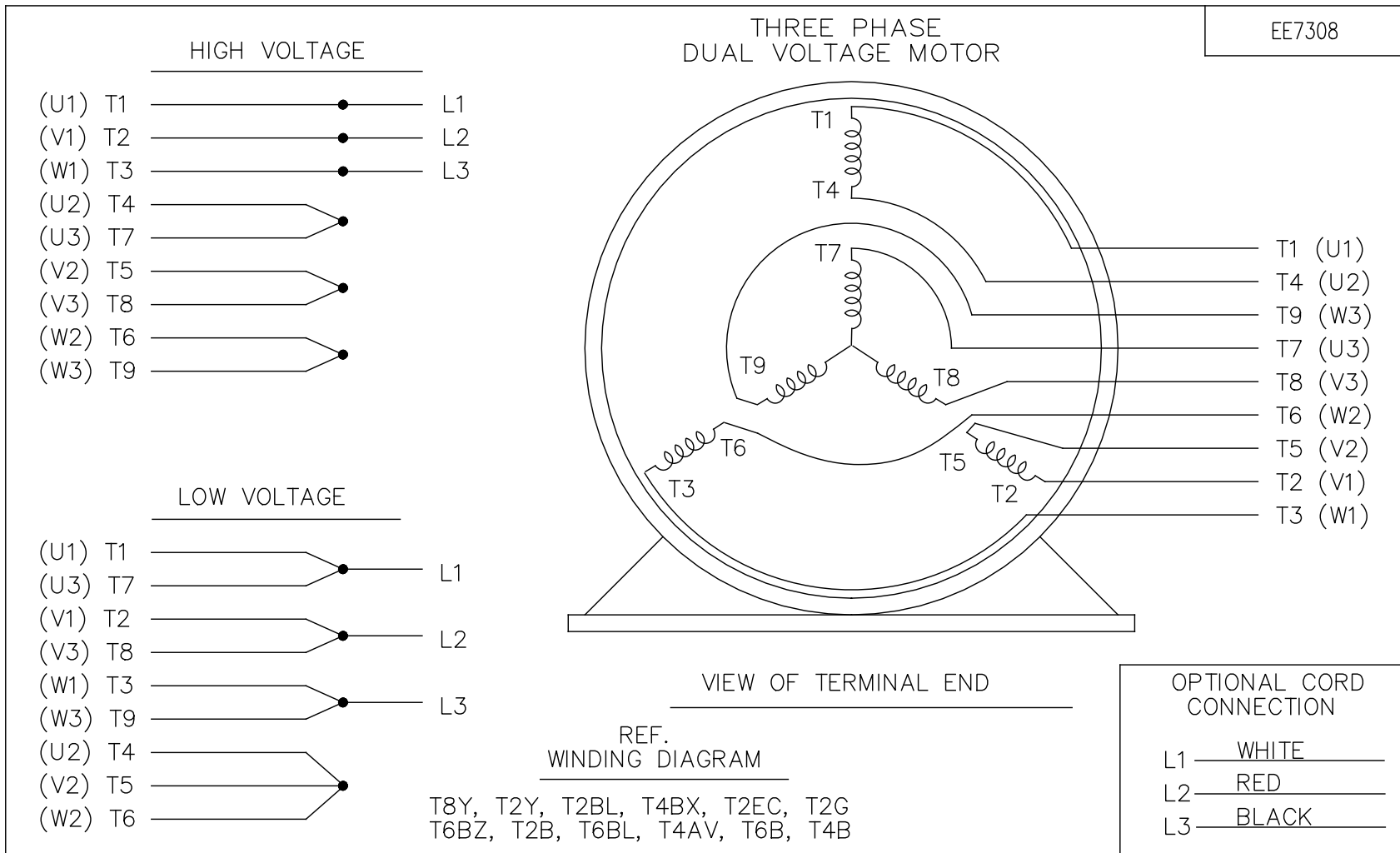
NAMEPLATE TO BE READ FROM SHAFT EXT. SIDE OF MOTOR.

DETAIL OF SHAFT EXT.

NOTE:
1. CONDUIT BOX CAN BE ROTATED IN 90° STEPS.

					TOLERANCES UNLESS SPECIFIED				DRAWN KL 10-21-1993		
					DEC.	INCHES			CHK ML 10-21-1993	APPD TB 10-28-1993	
					12	UPDATED DRAWING 400 FR. WAS 400 HP	RJW 05-07-2007	ML .X ±.1	TITLE OUTLINE		
					11	REVISED FRONT BRKT. PER CASTING CHANGES CN29499	NJS 07-24-2001	.XX ±.03	400 FR. - DR. PR.		
					10	UPDATED C'BOX GEOMETRY CN28063	NJS 02-15-2000	.XXX ±.005	SCALE 1=6		
					9	REDRAWN ON CADD - NO CHANGE 4086472	KL 10-28-1993	.XXXX ±.0005	REF		
					NO. REVISION		CHK ANG ±7'30"	FINISH		FMF	
					BY & DATE		RFP	CAD FILE ss504367		PREV	
					THIS DRAWING IN DESIGN AND DETAIL IS OUR PROPERTY AND MUST NOT BE USED EXCEPT IN CONNECTION WITH OUR WORK ALL RIGHTS OF DESIGN AND INVENTION ARE RESERVED THIS IS AN ELECTRONICALLY GENERATED DOCUMENT - DO NOT SCALE THIS PRINT						
DASH	FRAME	C	AG	BV			SIZE	DRAWING NO.	PAGE OF	REV.	
1700	400FR	31.75	27.25	13.75			B	SS504367	12	12	

```
ERROR: undefined
OFFENDING COMMAND: Psc
STACK :
```



NO.	REVISION	BY & DATE	CHK	ANG	TOLERANCES UNLESS SPECIFIED	FINISH	DRAWN RM	PAGE	OF	REV.	
5	CHG TO REGAL LOGO	SL 09/10/2015	AB	DEC.	INCHES		RM	11/20/1990			
4	REVISED IEC NOTATIONS	MSG 11/15/2011	CMN	.X	±.1		CHK	ML	11/21/1990		
3	ADDED IEC NOTATIONS... (U1), (V1) ETC. MU95194	MSG 5/10/2010	MJS	.XX	±.02		APPD	SAS	04/24/2003		
2	ADDED THE OPTIONAL CORD CONNECTION MU46318	RDH 04/24/2003	DRS	.XXX	±.005	TITLE CONNECTION DIAGRAM 3Ø - DUAL VOLTAGE MOTOR		SCALE	1=1		
1	REDRAWN	RM 11/20/1990		.XXXX	±.0005	MAT'L.		REF			
					±7'30"			FMF			
THIS DRAWING IN DESIGN AND DETAIL IS OUR PROPERTY AND MUST NOT BE USED EXCEPT IN CONNECTION WITH OUR WORK ALL RIGHTS OF DESIGN AND INVENTION ARE RESERVED THIS IS AN ELECTRONICALLY GENERATED DOCUMENT - DO NOT SCALE THIS PRINT						RFP	CAD FILE	ee7308	SIZE	A	
						DIST	WP	DRAWING NO.	EE7308	PAGE	5