

PRODUCT INFORMATION PACKET

marathon[®]
Motors

Model No: 405TTDS4049
Catalog No: U904
125,1800,DP,405T,3/60/575
Open Drip Proof (ODP)



Regal and Marathon are trademarks of Regal Beloit Corporation or one of its affiliated companies.
©2019 Regal Beloit Corporation, All Rights Reserved. MC017097E

REGAL[®]



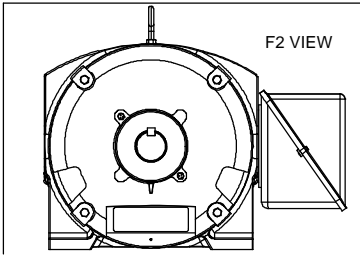
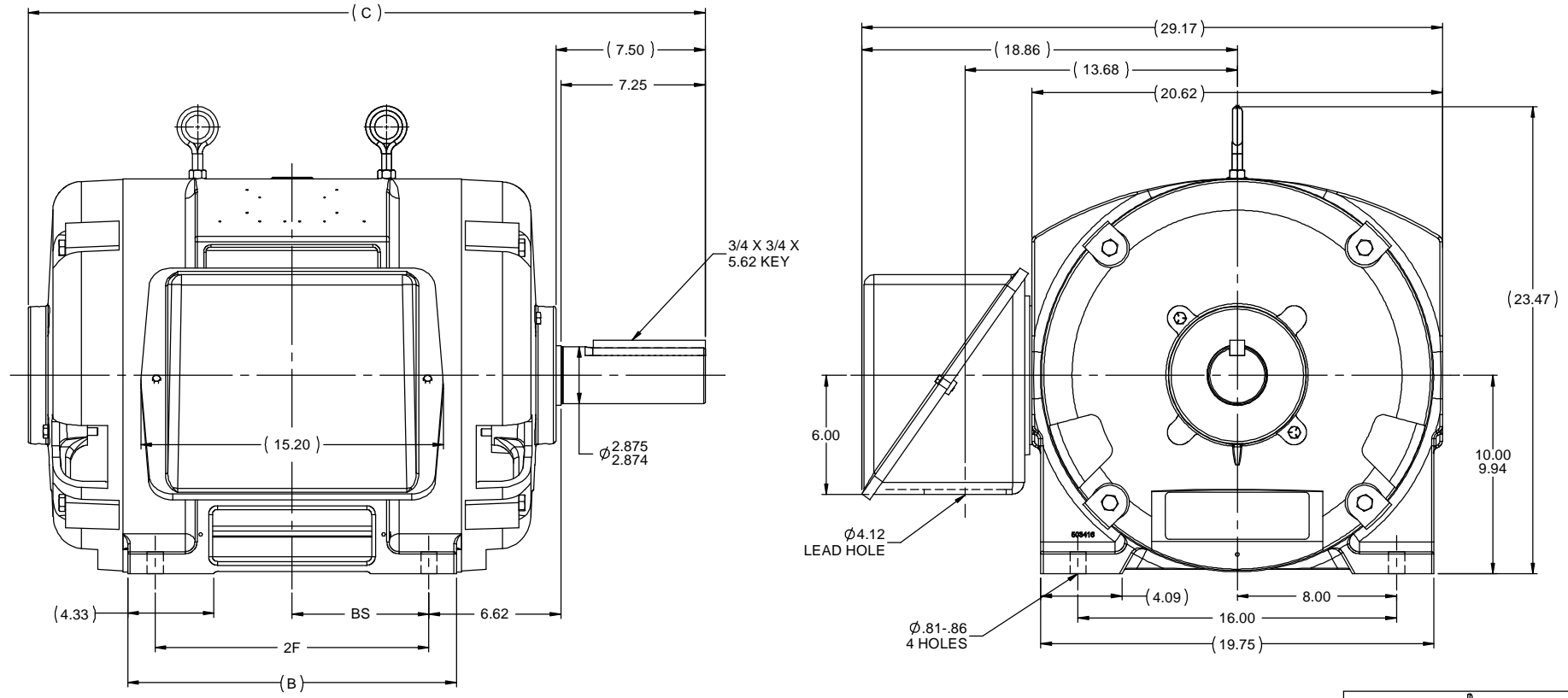
Nameplate Specifications

Output HP	125 HP	Output KW	93 kW
Frequency	60 Hz	Voltage	575 V
Current	118 A	Speed	1780 RPM
Service Factor	1.15	Phase	3
Efficiency	94.5 %	Duty	CONTINUOUS
Insulation Class	B	Design Code	B
KVA Code	G	Frame	405T
Enclosure	DP	Overload Protector	NOT
Ambient Temperature	40 °C	Drive End Bearing Size	6316
Opp Drive End Bearing Size	6313	UL	Recognized
CSA	Y	CE	Y
IP Code	12		

Technical Specifications

Electrical Type	SQ CAGE IND RUN	Starting Method	ACROSS THE LINE
Poles	4	Rotation	REV
Mounting	RIGID	Motor Orientation	HORIZONTAL
Drive End Bearing	BALL	Opp Drive End Bearing	BALL
Frame Material	CAST IRON	Shaft Type	T
Overall Length	34.01 in	Frame Length	17 in
Shaft Diameter	2.88 in	Shaft Extension	7.5 in
Assembly/Box Mounting	F1/F2 CAPABLE		
Outline Drawing	B-SS509599-1700	Connection Diagram	A-EE7300

This is an uncontrolled document once printed or downloaded and is subject to change without notice. Date Created: 11/12/2019



- NOTES:
 1. CONDUIT BOX CAN BE ROTATED IN 90 ° STEPS.
 2. CONDUIT BOX CAN BE MOUNTED ON OPPOSITE SIDE BY REMOVING BRACKETS AND TURNING FRAME 180 °
 3. NAMEPLATES TO BE READ FROM CONDUIT BOX SIDE OF MOTOR.

DASH	FRAME	B	C	BS	2F
1550	404T	15.00	32.51	6.12	12.25
1700	405T	16.50	34.01	6.88	13.75

REVISION		BY & DATE	CHK	LANG	±7°30'	FINISH	PREV	SIZE	DRAWING NO	REV
11	ADDED F2 VIEW	TJW 1/6/2010	CTO	DEC	INCHES					
10	REDRAWN IN AUTOCAD	TAT 6/29/2004	ML	X	±.1					
9	REPLACED ONE EYEBOLT WITH TWO CN28063	BJW 2/10/2000	XX		±.03	TITLE	OUTLINE			
8	UPDATED C'BOX GEOMETRY CN28063	TRB 2/10/2000	XXX		±.005		400T FR. - DR.PR. - (STD0			
7	REDRAWN ON CADD	TLB 2/24/1988	XXXX		±.0005	MATL				
NO										



DRAWN TJB 2/24/1988
 CHK JL 2/24/1988
 APPR ML 2/24/1988



SCALE 3:16
 REF
 FMF
 PAGE OF
 NETWORK FILE NAME SS509599
 SIZE B
 DRAWING NO SS509599
 REV 11

**THREE PHASE - SINGLE VOLTAGE
MOTOR - CONDUIT BOX @ 'A'**

**TO REVERSE ROTATION:
INTERCHANGE ANY TWO
LINE LEAD CONNECTIONS.**

TERMINAL BLOCK WHEN SPECIFIED



VIEW OF TERMINAL END

**IF MOTOR HAS
6 LEADS**



A-9806 DECAL

**OPTIONAL CORD
CONNECTION**

- L1 WHITE
- L2 RED
- L3 BLACK

DRAWING REVISION AB	REVISION BY JJB	DATE 06-27-2017
ECO ECO-0125361	APPROVED BY TB	DATE 06-27-2017
ECO DESCRIPTION UPDATED TO CURRENT STANDARDS		
<small>COPYRIGHT REGAL BELOIT AMERICA, INC. ALL RIGHTS RESERVED. PROPRIETARY AND CONFIDENTIAL INFORMATION - THIS DOCUMENT IS THE PROPERTY OF REGAL BELOIT AMERICA, INC. ("OWNER") AND CONTAINS OWNER'S PROPRIETARY INFORMATION. ANY PERSON, CORPORATION OR OTHER FIRM RECEIVING IT IS DEEMED, BY RECEIVING IT, TO AGREE THAT IT, AND/OR ANY PART OF IT, SHALL NOT BE DISCLOSED TO ANY PERSON, CORPORATION OR OTHER ENTITY, DUPLICATED, AND/OR USED, EXCEPT AS EXPRESSLY APPROVED IN WRITING IN ADVANCE BY OWNER. THIS DOCUMENT SHALL BE RETURNED TO OWNER UPON REQUEST. IT MAY BE SUBJECT TO CERTAIN RESTRICTIONS UNDER APPLICABLE EXPORT CONTROL LAWS AND REGULATIONS.</small>		



DRAWN BY DA
DATE 03-26-1993
APPROVED BY TB
DATE 03-26-1993
REFERENCE
THIRD ANGLE PROJECTION

Regal Beloit America, Inc.		
		DESCRIPTION CONNECTION DIAGRAM EXTERNAL - SINGLE VOLTAGE - 3Ø MOTOR
MATERIAL	PROCESS/FINISH	
SIZE A	DRAWING NUMBER EE7300	SHEET 1 OF 1