

PRODUCT INFORMATION PACKET

Model No: 405TSTDS4001
Catalog No: E755
150,3600,DP,405TS,3/60/460
Open Drip Proof (ODP)



Regal and Marathon are trademarks of Regal Beloit Corporation or one of its affiliated companies.
©2019 Regal Beloit Corporation, All Rights Reserved. MC017097E



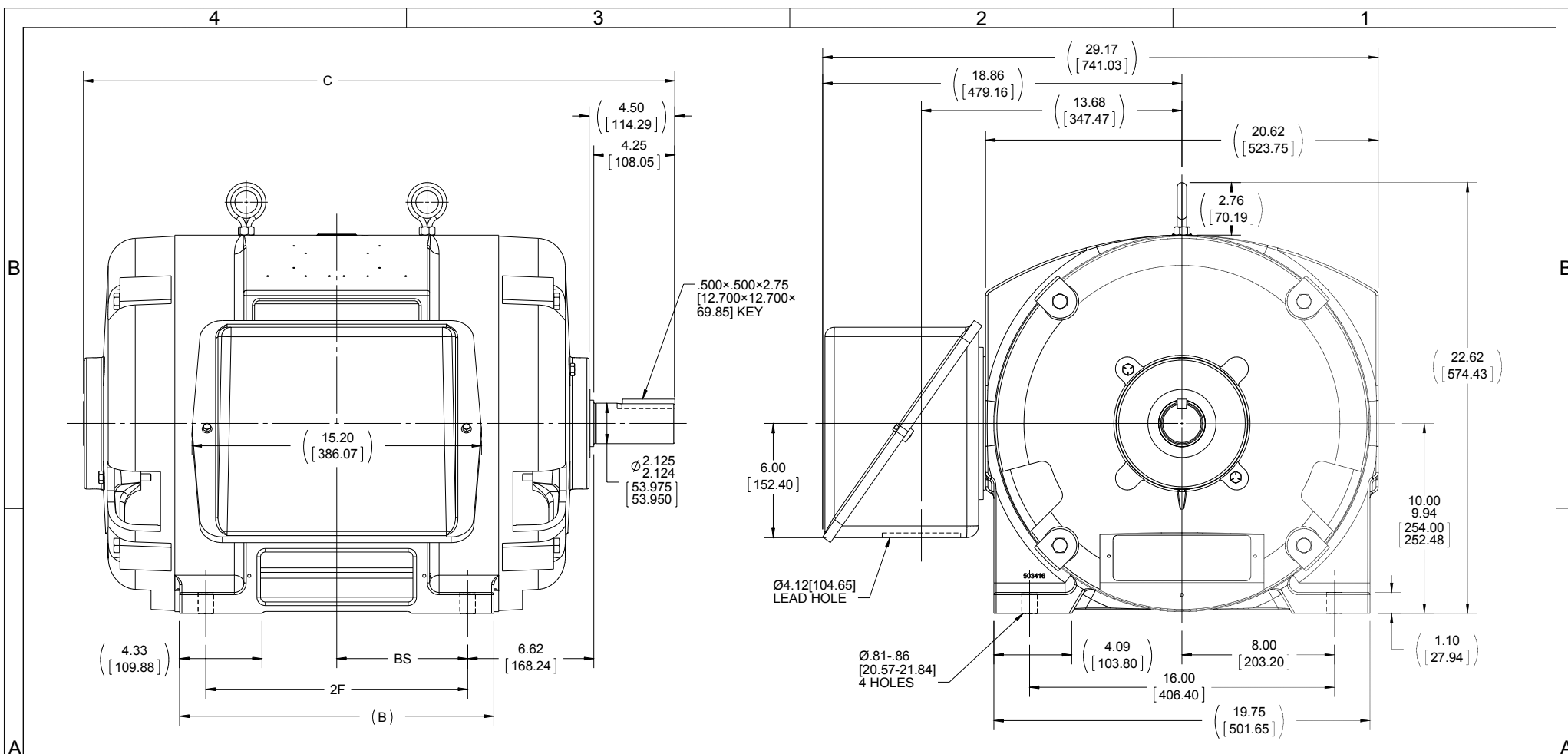
Nameplate Specifications

Output HP	150 HP	Output KW	112 kW
Frequency	60 Hz	Voltage	460 V
Current	169 A	Speed	3560 RPM
Service Factor	1.15	Phase	3
Efficiency	93.6 %	Duty	CONTINUOUS
Insulation Class	B	Design Code	B
KVA Code	F	Frame	405TS
Enclosure	DP	Overload Protector	NOT
Ambient Temperature	40 °C	Drive End Bearing Size	6313
Opp Drive End Bearing Size	6313	UL	Recognized
CSA	Y	CE	Y
IP Code	12		

Technical Specifications

Electrical Type	SQ CAGE IND RUN	Starting Method	PART WINDING START
Poles	2	Rotation	REV
Mounting	RIGID	Motor Orientation	HORIZONTAL
Drive End Bearing	BALL	Opp Drive End Bearing	BALL
Frame Material	CAST IRON	Shaft Type	TS
Overall Length	31.06 in	Frame Length	17 in
Shaft Diameter	2.13 in	Shaft Extension	4.5 in
Assembly/Box Mounting	F1/F2 CAPABLE		
Outline Drawing	B-SS509257-1700	Connection Diagram	A-EE7341C

This is an uncontrolled document once printed or downloaded and is subject to change without notice. Date Created: 11/18/2019



NOTE:
 1. CONDUIT BOX CAN BE ROTATED IN 90° STEPS.
 2. BOX CAN BE MOUNTED ON OPPOSITE SIDE BY REMOVING BRACKETS AND TURNING FRAME 180°
 3. NAMEPLATES TO BE READ FROM CONDUIT BOX SIDE OF THE MOTOR

DASH	FRAME	B	C	2F	BS
1550	404TS	15.00 [381.00]	29.56 [750.82]	12.25 [311.15]	6.12 [155.45]
1700	405TS	16.50 [419.10]	31.06 [788.92]	13.75 [349.25]	6.88 [174.75]

DRAWING REVISION K	REVISION BY AJW	DATE 09-28-2015
ECO ECO-0085893	APPROVED BY JHA	DATE 09-28-2015
ECO DESCRIPTION UPDATED TO CURRENT STANDARDS		
<small>COPYRIGHT REGAL BELOIT AMERICA, INC. ALL RIGHTS RESERVED. PROPRIETARY AND CONFIDENTIAL INFORMATION - THIS DOCUMENT IS THE PROPERTY OF REGAL BELOIT AMERICA, INC. (OWNER) AND CONTAINS OWNER'S PROPRIETARY INFORMATION. ANY PERSON, CORPORATION OR OTHER FIRM RECEIVING IT IS DEEMED, BY RECEIVING IT, TO AGREE THAT IT, AND/OR ANY PART OF IT, SHALL NOT BE DISCLOSED TO ANY PERSON, CORPORATION OR OTHER ENTITY, DUPLICATED, AND/OR USED, EXCEPT AS EXPRESSLY APPROVED IN WRITING IN ADVANCE BY OWNER. THIS DOCUMENT SHALL BE RETURNED TO OWNER UPON REQUEST. IT MAY BE SUBJECT TO CERTAIN RESTRICTIONS UNDER APPLICABLE EXPORT CONTROL LAWS AND REGULATIONS.</small>		

TOLERANCES UNLESS OTHERWISE SPECIFIED:		
DEC.	INCH	mm
.X	+0.1	[+2.5]
.XX	+0.02	[+0.51]
.XXX	+0.005	[+0.127]
.XXXX	+0.0005	[+0.0127]
REMOVE BURRS & BREAK SHARP EDGES: .003/.015 [076/381] X 45° CORNER FILLETS: R.02 [51] MACHINED SURFACES: 200 INCH 5.1 mm SHOWN IN [BRACKETS]		

DRAWN BY TLB
DATE 02-24-1988
APPROVED BY ML
DATE 02-24-1988
REFERENCE
THIRD ANGLE PROJECTION

REGAL™ Regal Beloit America, Inc.

OUTLINE
400TS FR.-DR.PR.-(STD)

MATERIAL: _____ PROCESS/FINISH: _____

SIZE: B DRAWING NUMBER: **SS509257** SHEET: 1 OF 1

EE7341C

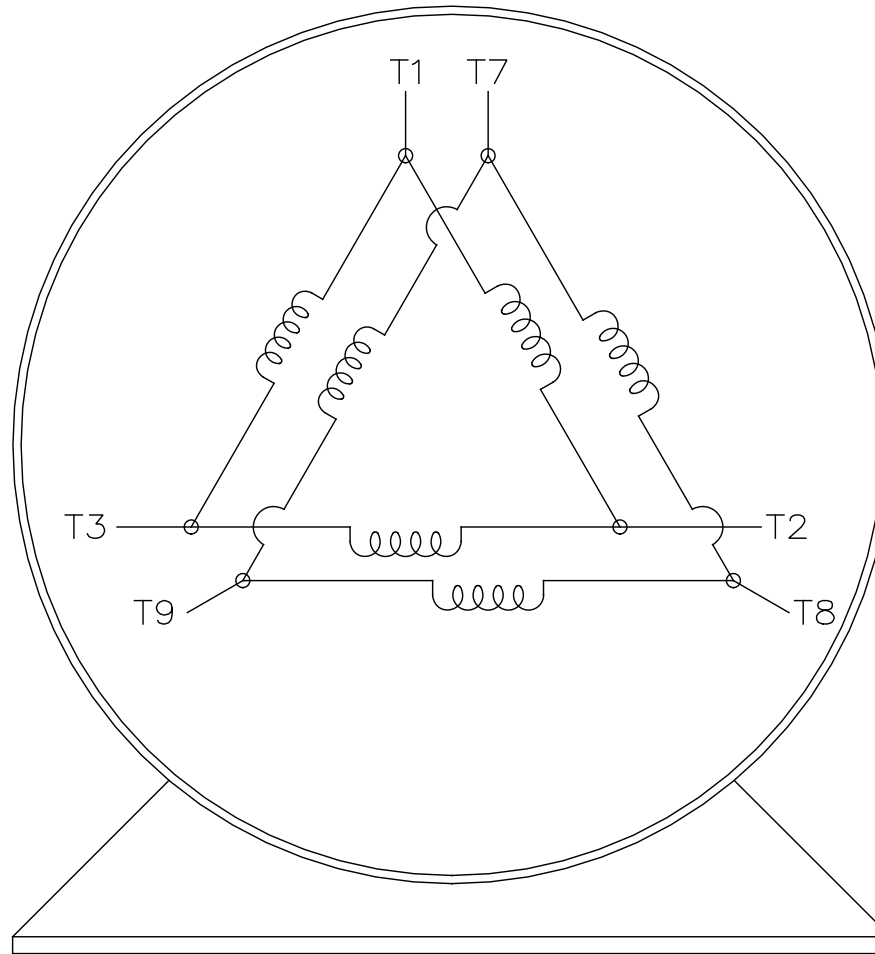
THREE PHASE – PART WINDING START
DELTA – 6 LEADS

START


- CONNECT T1 TO LINE 1
- CONNECT T2 TO LINE 2
- CONNECT T3 TO LINE 3
- T7–T8–T9 OPEN

RUN

- CONNECT T1&T7 TO LINE 1
- CONNECT T2&T8 TO LINE 2
- CONNECT T3&T9 TO LINE 3



VIEW OF TERMINAL END

				TOLERANCES UNLESS SPECIFIED		 REGAL - BELOIT CORPORATION	DRAWN BLR 03-09-1998				
				DEC.	INCHES		CHK ML 03-23-1998				
				.X	± -		APPD GK 03-23-1998				
				.XX	± -		SCALE 1=1				
				.XXX	± -	TITLE CONNECTION DIAGRAM 3Ø – 6 LEADS	REF				
D	RE-DRAWN WITH REGAL LOGO	ECO-0110493	WGJ 09-30-2016	EMH	.XXXX	MAT'L.	FMF				
NO.	REVISION	BY & DATE	CHK	ANG	± -	FINISH	PREV				
THIS DRAWING IN DESIGN AND DETAIL IS OUR PROPERTY AND MUST NOT BE USED EXCEPT IN CONNECTION WITH OUR WORK ALL RIGHTS OF DESIGN AND INVENTION ARE RESERVED THIS IS AN ELECTRONICALLY GENERATED DOCUMENT – DO NOT SCALE THIS PRINT						RFP	CAD FILE EE7341C	SIZE A	DRAWING NO. EE7341C	PAGE OF	REV. D
						DIST					