

PRODUCT INFORMATION PACKET

Model No: 404TTDS7387

Catalog No: Y210

OBSOLETE - NO REPLACEMENT FOR 50,1200,DP,404T,3/60/460/796

Other Purpose



Regal and Marathon are trademarks of Regal Beloit Corporation or one of its affiliated companies.

©2019 Regal Beloit Corporation, All Rights Reserved. MC017097E

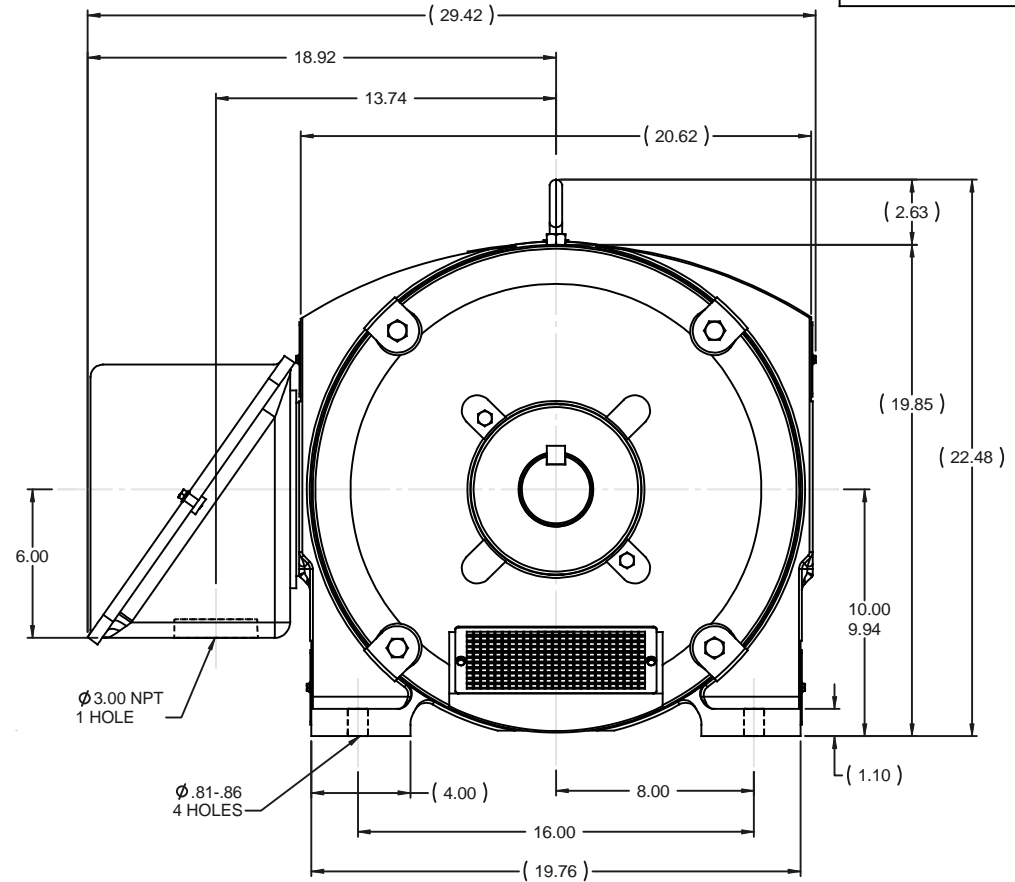
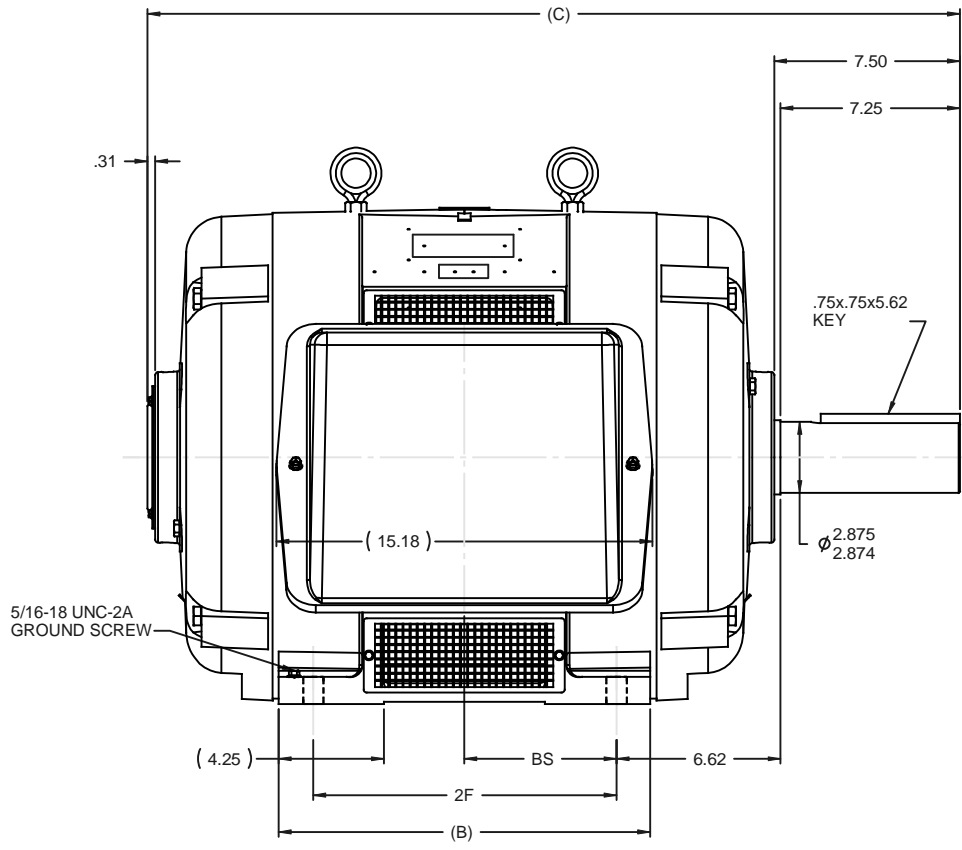


Nameplate Specifications

Output HP	50 HP	Output KW	37.0 kW
Frequency	60 Hz	Voltage	460/796 V
Current	60.0/34.5 A	Speed	1120 RPM
Service Factor	1.15	Phase	3
Efficiency	87.5 %	Duty	Oil Well
Insulation Class	F	Design Code	D
KVA Code	G	Frame	404T
Enclosure	Drip Proof	Overload Protector	No
Ambient Temperature	40 °C	Drive End Bearing Size	6316
Opp Drive End Bearing Size	6316	UL	No
CSA	N	CE	N
IP Code	22		

Technical Specifications

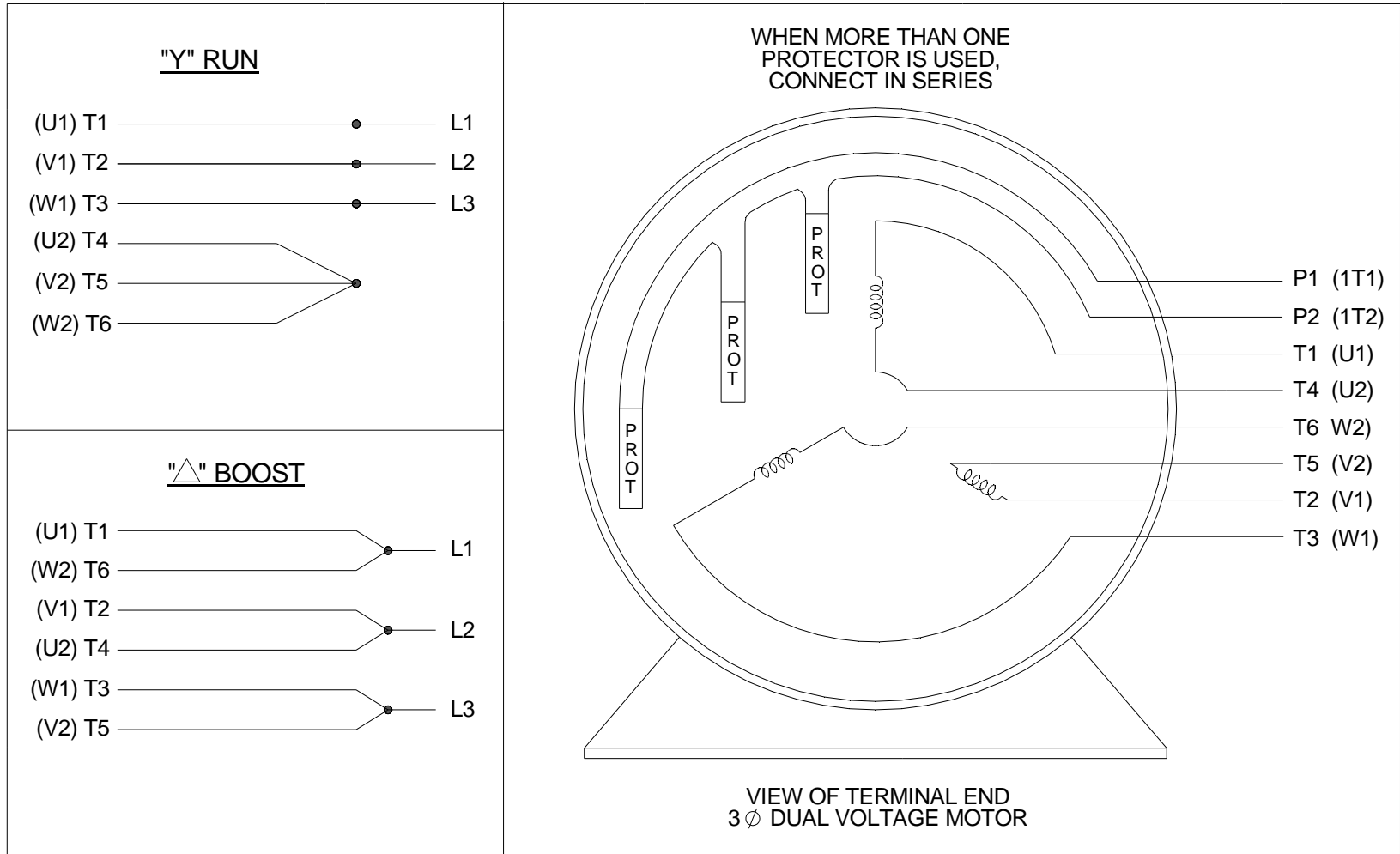
Electrical Type	Squirrel Cage Induction Run	Starting Method	Across The Line
Poles	6	Rotation	Reversible
Mounting	Rigid Base	Motor Orientation	Horizontal
Drive End Bearing	Ball	Opp Drive End Bearing	Ball
Frame Material	Cast Iron	Shaft Type	T
Overall Length	32.81 in	Frame Length	15.50 in
Shaft Diameter	2.875 in	Shaft Extension	7.5 in
Assembly/Box Mounting	F2/F1 Capable		
Outline Drawing	B-SS513937-1550	Connection Diagram	A-EE7304H



- NOTES:
 1- BOX CAN BE ROTATED IN 90° STEPS
 2- BOX CAN BE MOUNTED ON OPPOSITE SIDE BY REMOVING BRACKETS AND TURNING FRAME 180°
 3- NAMEPLATES TO BE READ FROM CONDUIT BOX SIDE OF MOTOR

DASH	FRAME	B	C	2F	BS
1550	404T	15.00	32.81	12.25	6.12
1700	405T	16.50	34.31	13.75	6.88

		TOLERANCES UNLESS SPECIFIED		MARATHON ELECTRIC		DRAWN DA 02-06-1991
		DEC	INCHES			CHK TB 02-11-1991
4	C'BOX LEAD HOLE WAS Ø2.50 NPT 2 HOLES CN 32922	DRS 12-07-2004	ML	x	±.1	APPR ML 02-11-1991
3	UPDATED C'BOX GEOMETRY CN 28063	DRS 12-07-2004	.XX		±.03	SCALE 1:5
2	ADDED SCREENS TO FRONT & REAR BRACKETS 4041416	DJK 06-18-1993	.XXX		±.005	REF
1	NEW DRAWING CN 13005	DA 02-06-1991	.XXX		±.0005	FMF
NO	REVISION	BY & DATE	CHK	ANG	±7'30"	FINISH
THIS DRAWING IN DESIGN AND DETAIL IS OUR PROPERTY AND MUST NOT BE USED EXCEPT IN CONNECTION WITH OUR WORK. ALL RIGHTS OF DESIGN AND INVENTION ARE RESERVED. THIS IS AN ELECTRONICALLY GENERATED DOCUMENT - DO NOT SCALE THIS PRINT		RFP	CAD FILE SS513937		SIZE	DRAWING NO
		DIST	WA	SIZE	B	SS513937
						REV
						4



DRAWING REVISION A	REVISION BY HV	DATE 12-17-2014	TOLERANCES UNLESS OTHERWISE SPECIFIED: DEC. INCH mm ANGLE .X ±0.1 [±2.5] ±0.5° .XX ±0.01 [±0.25] .XXX ±0.005 [±0.127] .XXXX ±0.0005 [±0.0127] REMOVE BURRS & BREAK SHARP EDGES: .003/.015 [.076/.381] CORNER FILLETS: .02 [.51] MACHINED SURFACES: 125/ INCH 3.2/ mm mm SHOWN IN [BRACKETS]	DRAWN BY BLR	Regal Beloit America, Inc.		
ECO ECO-0065198	APPROVED BY EMH	DATE 12-17-2014		DATE 03-07-1998	APPROVED BY ML	DESCRIPTION CONN DIAGRAM-EXTERNAL DUAL VOLTAGE - 3 PHASE - 6 LEAD DELTA - Y	
ECO DESCRIPTION REDRAWN IN SOLIDWORKS, REMOVED GRND. NOTE <small>COPYRIGHT REGAL BELOIT AMERICA, INC. ALL RIGHTS RESERVED. PROPRIETARY AND CONFIDENTIAL INFORMATION - THIS DOCUMENT IS THE PROPERTY OF REGAL BELOIT AMERICA, INC. ("OWNER") AND CONTAINS OWNER'S PROPRIETARY INFORMATION. ANY PERSON, CORPORATION OR OTHER FIRM RECEIVING IT IS DEEMED, BY RECEIVING IT, TO AGREE THAT IT, AND/OR ANY PART OF IT, SHALL NOT BE DISCLOSED TO ANY PERSON, CORPORATION OR OTHER ENTITY, DUPLICATED, AND/OR USED, EXCEPT AS EXPRESSLY APPROVED IN WRITING IN ADVANCE BY OWNER. THIS DOCUMENT SHALL BE RETURNED TO OWNER UPON REQUEST. IT MAY BE SUBJECT TO CERTAIN RESTRICTIONS UNDER APPLICABLE EXPORT CONTROL LAWS AND REGULATIONS.</small>			DATE 03-23-1998	REFERENCE	MATERIAL	PROCESS/FINISH	
				THIRD ANGLE PROJECTION	SIZE A	DRAWING NUMBER EE7304H	SHEET 1 OF 1