

PRODUCT INFORMATION PACKET

marathon[®]
Motors

Model No: 365THFS9086
Catalog No: W582
50,1200,TEFC,365T,3/60/460
Other Purpose



Regal and Marathon are trademarks of Regal Beloit Corporation or one of its affiliated companies.
©2019 Regal Beloit Corporation, All Rights Reserved. MC017097E

REGAL[®]



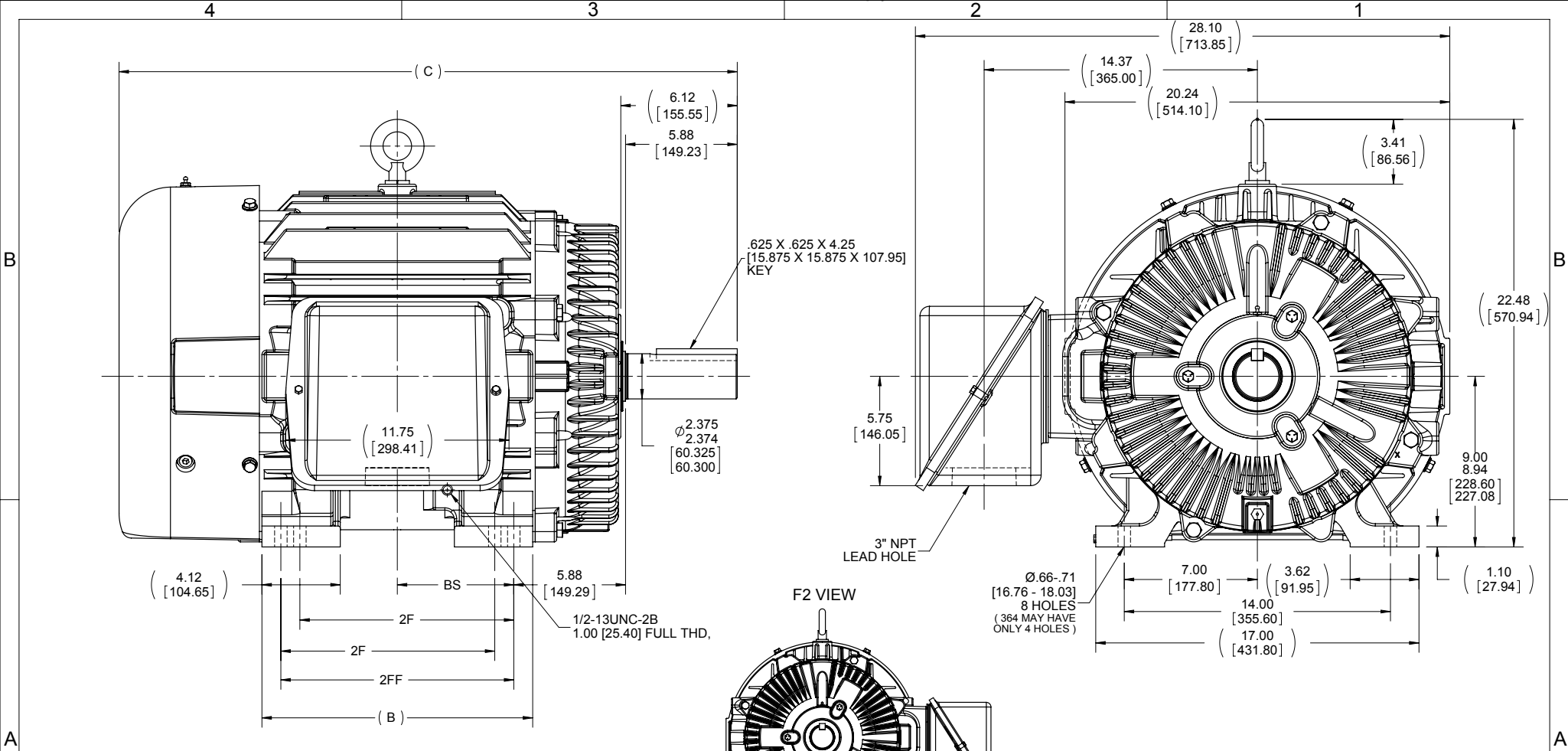
Nameplate Specifications

Output HP	50 HP	Output KW	37 kW
Frequency	60 Hz	Voltage	460 V
Current	61.5 A	Speed	1180 RPM
Service Factor	1.15	Phase	3
Efficiency	93.6 %	Duty	CONTINUOUS
Insulation Class	F	Design Code	B
KVA Code	G	Frame	365T
Enclosure	TEFC	Overload Protector	NOT
Ambient Temperature	40 °C	Drive End Bearing Size	6314
Opp Drive End Bearing Size	6312	UL	Recognized
CSA	Y	CE	Y
IP Code	56		

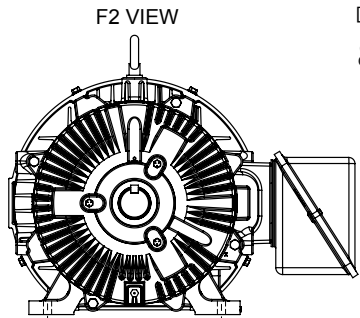
Technical Specifications

Electrical Type	SQ CAGE INV RATED	Starting Method	LINE OR INVERTER
Poles	6	Rotation	REV
Mounting	RIGID	Motor Orientation	HORIZONTAL
Drive End Bearing	BALL	Opp Drive End Bearing	BALL
Frame Material	CAST IRON	Shaft Type	T
Overall Length	32.51 in	Frame Length	14.5 in
Shaft Diameter	2.38 in	Shaft Extension	6.12 in
Assembly/Box Mounting	F1/F2 CAPABLE		
Outline Drawing	B-SS508590-1450	Connection Diagram	A-EE7300

This is an uncontrolled document once printed or downloaded and is subject to change without notice. Date Created: 10/14/2019



- NOTES:
 1. CONDUIT BOX CAN BE ROTATED IN 90° STEPS.
 2. CONDUIT BOX CAN BE MOUNTED ON OPPOSITE SIDE BY REMOVING BRACKETS AND TURNING FRAME 180°.
 3. NAMEPLATES TO BE READ FROM CONDUIT BOX SIDE OF MOTOR.
 4. DIMENSION IN [] DESIGNATE MILLIMETERS.

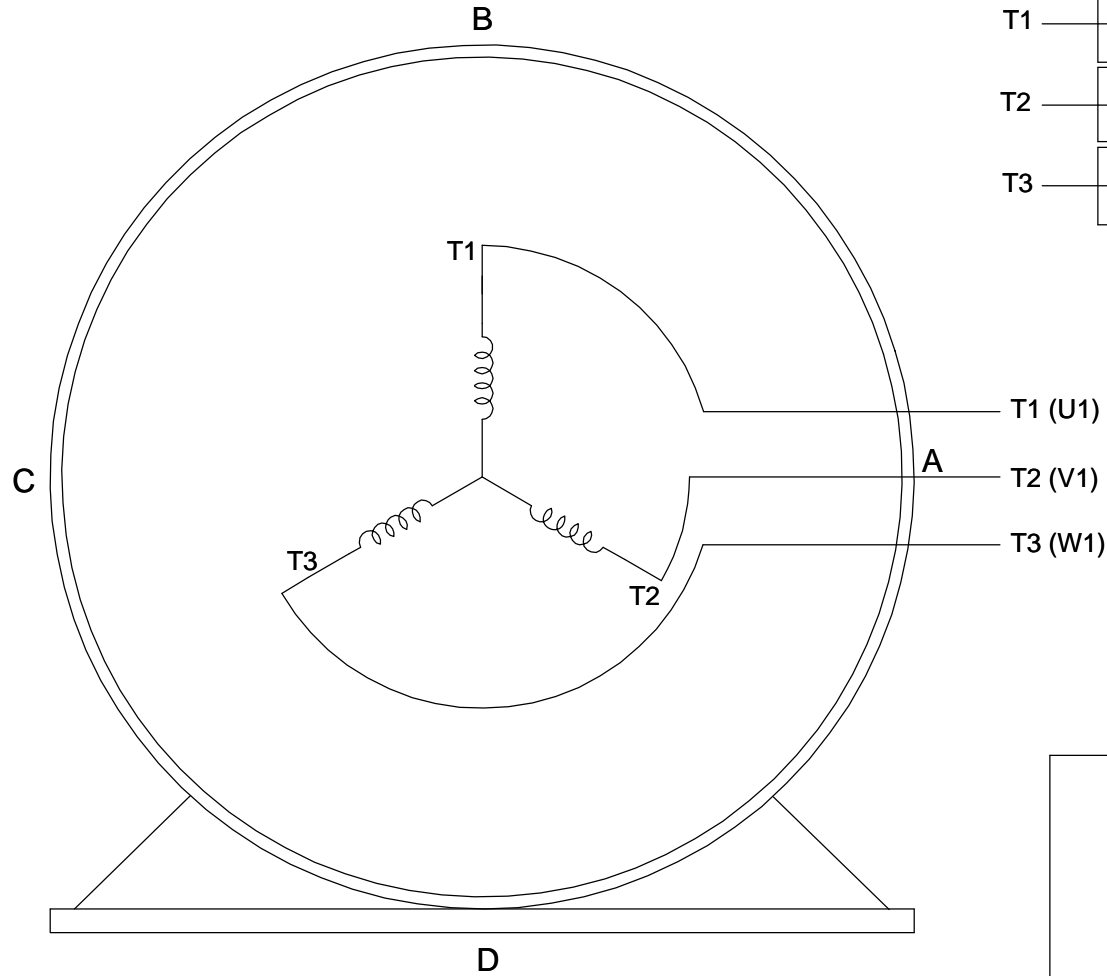
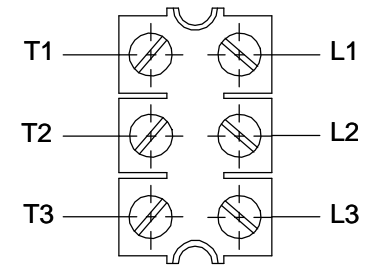


DRAWING REVISION G ECO-0061089 ECO DESCRIPTION CORRECTED F2 VIEW DISPLAY <small>COPYRIGHT REGAL BELOIT AMERICA, INC. ALL RIGHTS RESERVED. PROPRIETARY AND CONFIDENTIAL INFORMATION - THIS DOCUMENT IS THE PROPERTY OF REGAL BELOIT AMERICA, INC. (OWNER) AND CONTAINS OWNER'S PROPRIETARY INFORMATION. ANY PERSON, CORPORATION OR OTHER FIRM RECEIVING IT IS DEEMED, BY RECEIVING IT, TO AGREE THAT IT, AND/OR ANY PART OF IT, SHALL NOT BE DISCLOSED TO ANY PERSON, CORPORATION OR OTHER ENTITY, DUPLICATED, AND/OR USED, EXCEPT AS EXPRESSLY APPROVED IN WRITING IN ADVANCE BY OWNER. THIS DOCUMENT SHALL BE RETURNED TO OWNER UPON REQUEST. IT MAY BE SUBJECT TO CERTAIN RESTRICTIONS UNDER APPLICABLE EXPORT CONTROL LAWS AND REGULATIONS.</small>							REVISION BY JJB APPROVED BY DATE 09-25-2014 DATE		TOLERANCES UNLESS OTHERWISE SPECIFIED: DEC. INCH mm ANGLE .X ±0.1 [±2.5] ±7° 30' .XX ±0.03 [±0.76] .XXX ±0.005 [±0.127] .XXXX ±0.0005 [±0.0127] REMOVE BURRS & BREAK SHARP EDGES: .003/.015 [.076/.381] CORNER FILLETS: .02 [.51] MACHINED SURFACES: 200 INCH/mm 5.1 mm SHOWN IN [BRACKETS]		DRAWN BY TLB DATE 01-29-1988 APPROVED BY ML DATE 01-29-1988 REFERENCE		REGAL™ Regal Beloit America, Inc. DESCRIPTION OUTLINE 360T FR. - TEFC - GROUND LUG - TAPPED LEAD HOLE MATERIAL PROCESS/FINISH		THIRD ANGLE PROJECTION SIZE B DRAWING NUMBER SS508590 SHEET 1 OF 1							
DASH	FRAME	B	C	2F	2FF	BS	CORRECTED F2 VIEW DISPLAY		DRAWN BY TLB		REGAL™ Regal Beloit America, Inc.		DESCRIPTION		THIRD ANGLE PROJECTION		SIZE B		DRAWING NUMBER		SHEET 1 OF 1	
1350	364T	13.25 [336.55]	31.51 [800.35]	11.25 [285.75]	---	5.62 [142.74]	CORRECTED F2 VIEW DISPLAY		DATE 01-29-1988		REGAL™ Regal Beloit America, Inc.		OUTLINE		THIRD ANGLE PROJECTION		SIZE B		DRAWING NUMBER		SHEET 1 OF 1	
1450	364/365T	14.25 [361.95]	32.51 [825.75]	11.25 [285.75]	12.25 [311.15]	6.12 [155.44]	CORRECTED F2 VIEW DISPLAY		DATE 01-29-1988		REGAL™ Regal Beloit America, Inc.		OUTLINE		THIRD ANGLE PROJECTION		SIZE B		DRAWING NUMBER		SHEET 1 OF 1	

**THREE PHASE - SINGLE VOLTAGE
MOTOR - CONDUIT BOX @ 'A'**

**TO REVERSE ROTATION:
INTERCHANGE ANY TWO
LINE LEAD CONNECTIONS.**

TERMINAL BLOCK WHEN SPECIFIED



VIEW OF TERMINAL END

**IF MOTOR HAS
6 LEADS**



A-9806 DECAL

**OPTIONAL CORD
CONNECTION**

- L1 WHITE
- L2 RED
- L3 BLACK

DRAWING REVISION AB	REVISION BY JJB	DATE 06-27-2017
ECO ECO-0125361	APPROVED BY TB	DATE 06-27-2017
ECO DESCRIPTION UPDATED TO CURRENT STANDARDS		
<small>COPYRIGHT REGAL BELOIT AMERICA, INC. ALL RIGHTS RESERVED. PROPRIETARY AND CONFIDENTIAL INFORMATION - THIS DOCUMENT IS THE PROPERTY OF REGAL BELOIT AMERICA, INC. ("OWNER") AND CONTAINS OWNER'S PROPRIETARY INFORMATION. ANY PERSON, CORPORATION OR OTHER FIRM RECEIVING IT IS DEEMED, BY RECEIVING IT, TO AGREE THAT IT, AND/OR ANY PART OF IT, SHALL NOT BE DISCLOSED TO ANY PERSON, CORPORATION OR OTHER ENTITY, DUPLICATED, AND/OR USED, EXCEPT AS EXPRESSLY APPROVED IN WRITING IN ADVANCE BY OWNER. THIS DOCUMENT SHALL BE RETURNED TO OWNER UPON REQUEST. IT MAY BE SUBJECT TO CERTAIN RESTRICTIONS UNDER APPLICABLE EXPORT CONTROL LAWS AND REGULATIONS.</small>		



DRAWN BY DA
DATE 03-26-1993
APPROVED BY TB
DATE 03-26-1993
REFERENCE
THIRD ANGLE PROJECTION

Regal Beloit America, Inc.		
		DESCRIPTION CONNECTION DIAGRAM EXTERNAL - SINGLE VOLTAGE - 3Ø MOTOR
MATERIAL	PROCESS/FINISH	
SIZE A	DRAWING NUMBER EE7300	SHEET 1 OF 1