

# PRODUCT INFORMATION PACKET



Model No:  
Catalog No: 305  
MODEL-SFHP-4.3  
Ventilation



Regal and Century are trademarks of Regal Beloit Corporation or one of its affiliated companies.  
©2019 Regal Beloit Corporation, All Rights Reserved. MC017097E





**Nameplate Specifications**

Output HP	<b>1/40-1/65 HP</b>	Output KW	<b>0.02 kW</b>
Frequency	<b>60 Hz</b>	Voltage	<b>115 V</b>
Current	<b>1.1/.70 A</b>	Speed	<b>1050 RPM</b>
Service Factor	<b>1</b>	Phase	<b>1</b>
Duty	<b>Continuous Air Over</b>	Insulation Class	<b>A</b>
Frame	<b>4.4</b>	Enclosure	<b>Open Air Over</b>
Overload Protector	<b>Automatic</b>	Ambient Temperature	<b>40 °C</b>
UL	<b>Recognized</b>	CSA	<b>N</b>
CE	<b>Y</b>		

**Technical Specifications**

Electrical Type	<b>Shaded Pole</b>	Starting Method	<b>Induction Run</b>
Poles	<b>6</b>	Rotation	<b>Clockwise Shaft End</b>
Mounting	<b>Extended Studs</b>	Motor Orientation	<b>Horizontal</b>
Drive End Bearing	<b>Sleeve</b>	Opp Drive End Bearing	<b>Sleeve</b>
Frame Material	<b>Rolled Steel</b>	Shaft Type	<b>Flat</b>
Overall Length	<b>6.04 in</b>	Shaft Diameter	<b>0.312 in</b>
Shaft Extension	<b>5/16 X 2 1/2 in</b>		
Outline Drawing	<b>CA3G080-S01</b>		

**This is an uncontrolled document once printed or downloaded and is subject to change without notice. Date Created: 12/12/2019**



Uncontrolled Copy

PROPRIETARY INFORMATION NOTICE:  
THIS DOCUMENT IS AND CONTAINS CONFIDENTIAL, TRADE SECRET INFORMATION OF THE COMPANY AND REMAINS THE PROPERTY OF THE COMPANY AND IS TO BE RETURNED UPON REQUEST. NEITHER IT NOR THE INFORMATION IT CONTAINS MAY BE REPRODUCED OR DISCLOSED TO PERSONS NOT HAVING A NEED-TO-KNOW CONSISTENT WITH THE PURPOSE OF THE LOAN OF THE DOCUMENT.



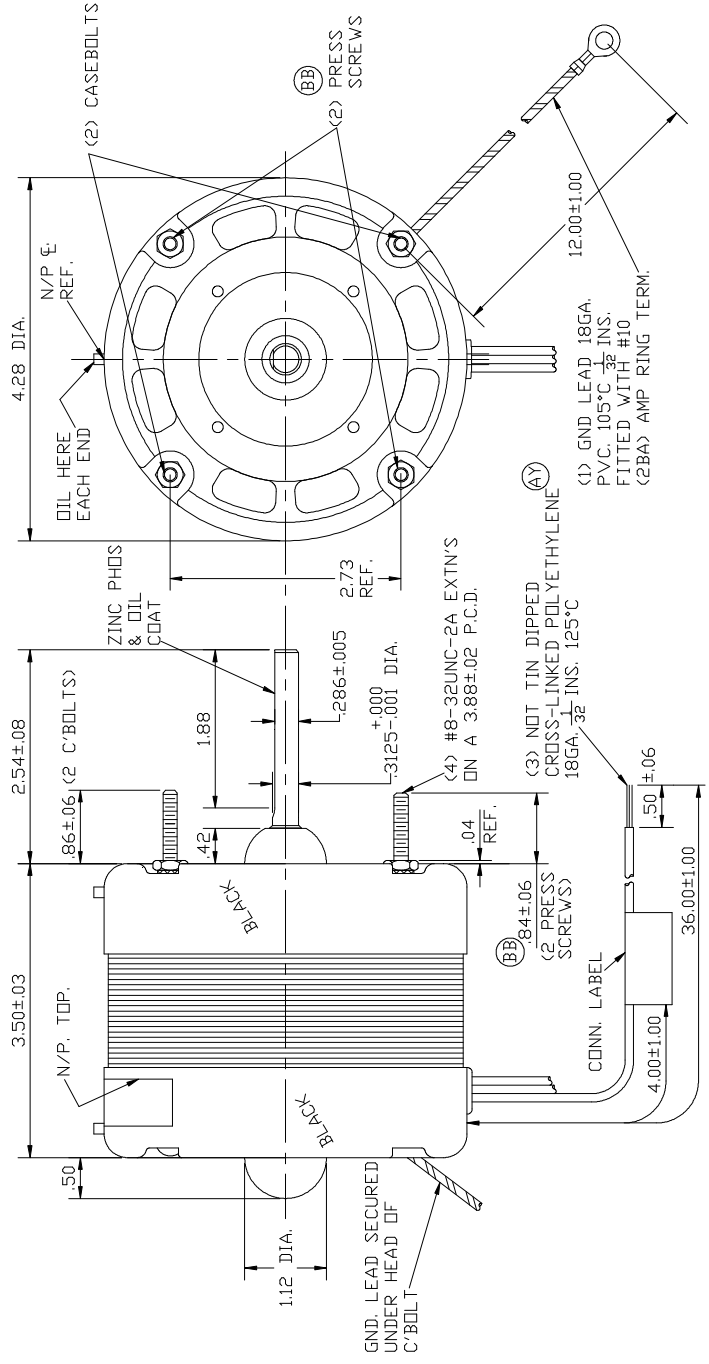
CA3G080N#

STOCK NO.: 305

CUSTOMER IS SOLELY RESPONSIBLE FOR MOTOR PERFORMANCE AND SUITABILITY IN APPLICATIONS FOR CUSTOMER'S USES.

ENDPLAY .04 MAX.

TOL ±.015



ALL DIMENSIONS IN INCHES UNLESS STATED.

ELEC. AS SAMPLE P03173/6291

ROTATION CCWLE-CWSE

ISSUE 'BD' 12 JUL 12

REGAL - LAVERGNE

NAMEPLATE DATA:

Century E46412  
SER DDDYYGB-sonum-G080 MOD CA3G080N# STOCK No 305  
115V 60HZ 1.1A 1050RPM 1PH CONT A.O.  
BK-HIGH 1.1A 1/40HP, RD-LOW 0.7A 1/65HP, WH-COM  
THERMALLY PROTECTED. MADE IN UK. WARRANTY VOID IF REMOVED

SCHEMATIC

