

PRODUCT INFORMATION PACKET

Model No: 256UTFPA8026
Catalog No: P336
10,1800,TEFC,256U,3/60/460
Automotive Duty



Regal and Marathon are trademarks of Regal Beloit Corporation or one of its affiliated companies.

©2019 Regal Beloit Corporation, All Rights Reserved. MC017097E



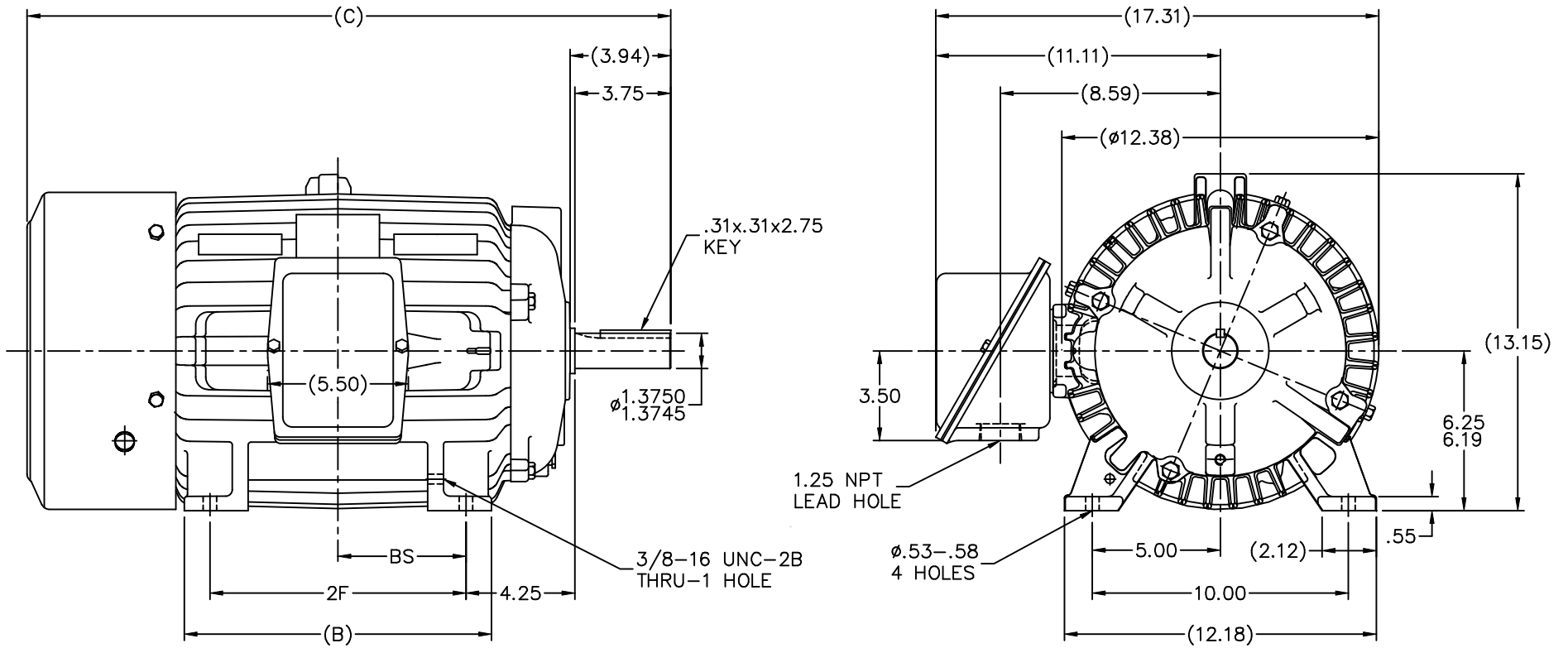
Nameplate Specifications

Output HP	10 HP	Output KW	7.46 kW
Frequency	60 Hz	Voltage	460 V
Current	12.5 A	Speed	1765 RPM
Service Factor	1	Phase	3
Efficiency	90.2 %	Duty	CONTINUOUS
Insulation Class	F	Design Code	B
KVA Code	G	Frame	256U
Enclosure	TEFC	Overload Protector	NOT
Ambient Temperature	65 °C	Drive End Bearing Size	6309
Opp Drive End Bearing Size	6207	UL	Recognized
CSA	Y	CE	Y
IP Code	43		

Technical Specifications

Electrical Type	SQ CAGE IND RUN	Starting Method	ACROSS THE LINE
Poles	4	Rotation	REV
Mounting	RIGID	Motor Orientation	HORIZONTAL
Drive End Bearing	BALL	Opp Drive End Bearing	BALL
Frame Material	CAST IRON	Shaft Type	U
Overall Length	25.19 in	Frame Length	13.5 in
Shaft Diameter	1.38 in	Shaft Extension	3.75 in
Assembly/Box Mounting	F1/F2 CAPABLE		
Outline Drawing	B-SS203580-1350	Connection Diagram	A-EE7300

This is an uncontrolled document once printed or downloaded and is subject to change without notice. Date Created: 11/18/2019



- NOTES:
1. C.BOX CAN BE ROTATED IN 90° STEPS
 2. C.BOX CAN BE MOUNTED ON OPPOSITE SIDE BY REMOVING BRACKETS AND TURNING FRAME 180°
 3. NAMEPLATES TO BE READ FROM CONDUIT BOX SIDE OF MOTOR

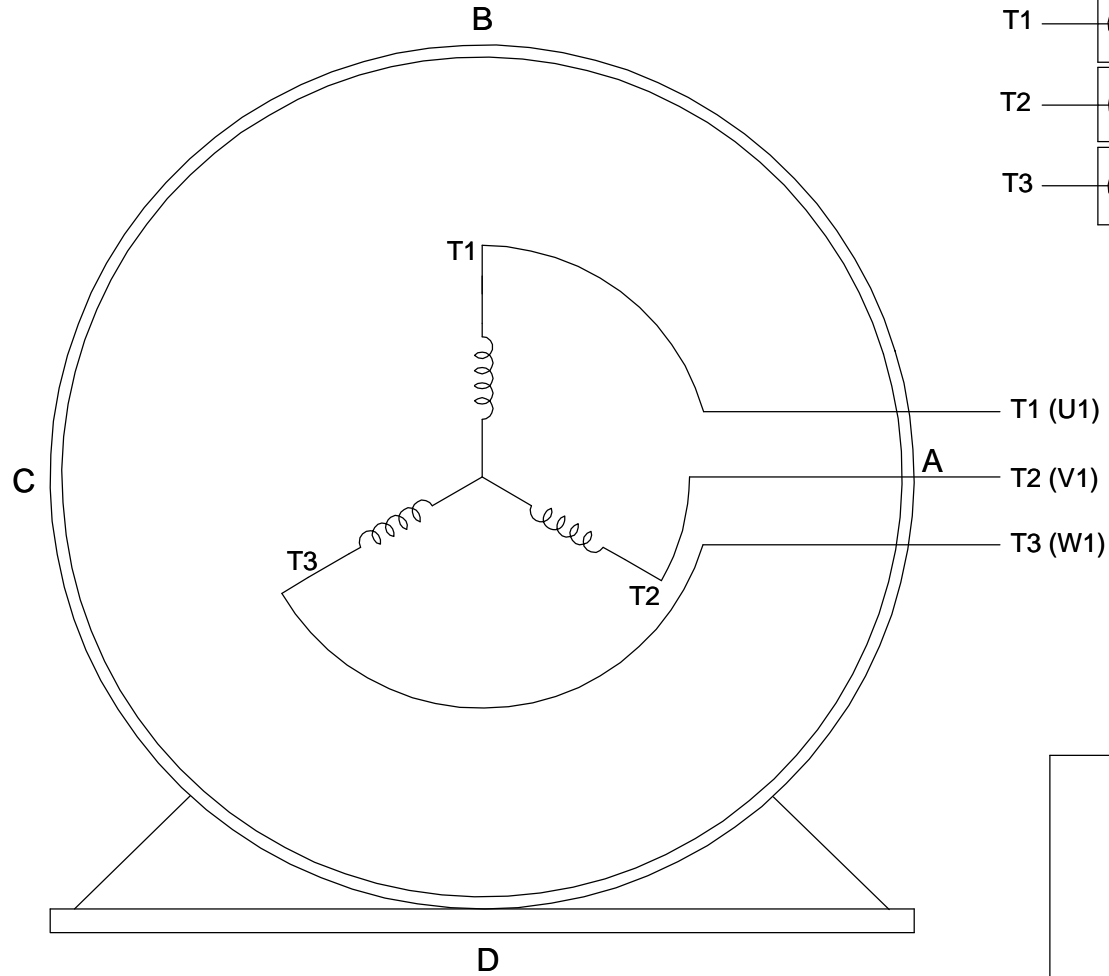
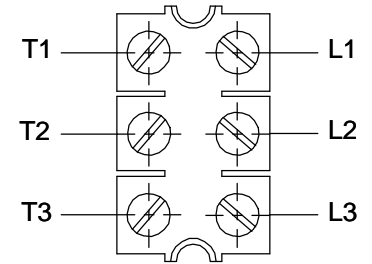
DASH	FRAME	B	C	2F	BS
1175	254U	10.25	23.44	8.25	4.12
1350	256U	12.00	25.19	10.00	5.00

		TOLERANCES UNLESS SPECIFIED		MARATHON ELECTRIC		DRAWN MSG 03-21-2001	
		DEC.	INCHES			CHK	ML 03-21-2001
		.X	±.1			APPD	GK 03-21-2001
		.XX	±.03	TITLE OUTLINE - TEFC		SCALE 1=4	
2	REDRAWN IN AUTOCAD	TAT	05-19-2005	ML	.XXX ±.005	250U FR. - BB - TS - STD. CAST C'BOX	
1	NEW DRAWING	MSG	03-21-2001		.XXXX ±.0005	REF	
NO. REVISION		BY & DATE		CHK	ANG ±7'30"	FINISH	
THIS DRAWING IN DESIGN AND DETAIL IS OUR PROPERTY AND MUST NOT BE USED EXCEPT IN CONNECTION WITH OUR WORK ALL RIGHTS OF DESIGN AND INVENTION ARE RESERVED THIS IS AN ELECTRONICALLY GENERATED DOCUMENT - DO NOT SCALE THIS PRINT				RFP	CAD FILE ss203580	SIZE	DRAWING NO. PAGE OF REV.
				DIST	LB	B	SS203580 2

**THREE PHASE - SINGLE VOLTAGE
MOTOR - CONDUIT BOX @ 'A'**

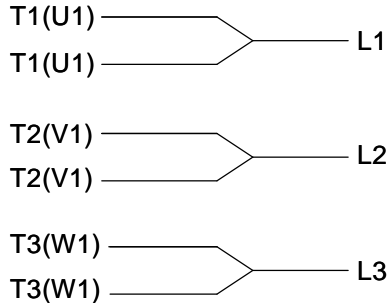
**TO REVERSE ROTATION:
INTERCHANGE ANY TWO
LINE LEAD CONNECTIONS.**

TERMINAL BLOCK WHEN SPECIFIED



VIEW OF TERMINAL END

**IF MOTOR HAS
6 LEADS**



A-9806 DECAL

**OPTIONAL CORD
CONNECTION**

- L1 WHITE
- L2 RED
- L3 BLACK

DRAWING REVISION AB	REVISION BY JJB	DATE 06-27-2017
ECO ECO-0125361	APPROVED BY TB	DATE 06-27-2017
ECO DESCRIPTION UPDATED TO CURRENT STANDARDS		
<small>COPYRIGHT REGAL BELOIT AMERICA, INC. ALL RIGHTS RESERVED. PROPRIETARY AND CONFIDENTIAL INFORMATION - THIS DOCUMENT IS THE PROPERTY OF REGAL BELOIT AMERICA, INC. ("OWNER") AND CONTAINS OWNER'S PROPRIETARY INFORMATION. ANY PERSON, CORPORATION OR OTHER FIRM RECEIVING IT IS DEEMED, BY RECEIVING IT, TO AGREE THAT IT, AND/OR ANY PART OF IT, SHALL NOT BE DISCLOSED TO ANY PERSON, CORPORATION OR OTHER ENTITY, DUPLICATED, AND/OR USED, EXCEPT AS EXPRESSLY APPROVED IN WRITING IN ADVANCE BY OWNER. THIS DOCUMENT SHALL BE RETURNED TO OWNER UPON REQUEST. IT MAY BE SUBJECT TO CERTAIN RESTRICTIONS UNDER APPLICABLE EXPORT CONTROL LAWS AND REGULATIONS.</small>		



DRAWN BY DA
DATE 03-26-1993
APPROVED BY TB
DATE 03-26-1993
REFERENCE
THIRD ANGLE PROJECTION

Regal Beloit America, Inc.		
		DESCRIPTION CONNECTION DIAGRAM EXTERNAL - SINGLE VOLTAGE - 3Ø MOTOR
MATERIAL	PROCESS/FINISH	
SIZE A	DRAWING NUMBER EE7300	SHEET 1 OF 1