

# PRODUCT INFORMATION PACKET

Model No: 256TTDX4041  
Catalog No: U100  
20,1800,DP,256JMV,3/60/230/460  
JM



Regal and Marathon are trademarks of Regal Beloit Corporation or one of its affiliated companies.  
©2019 Regal Beloit Corporation, All Rights Reserved. MC017097E



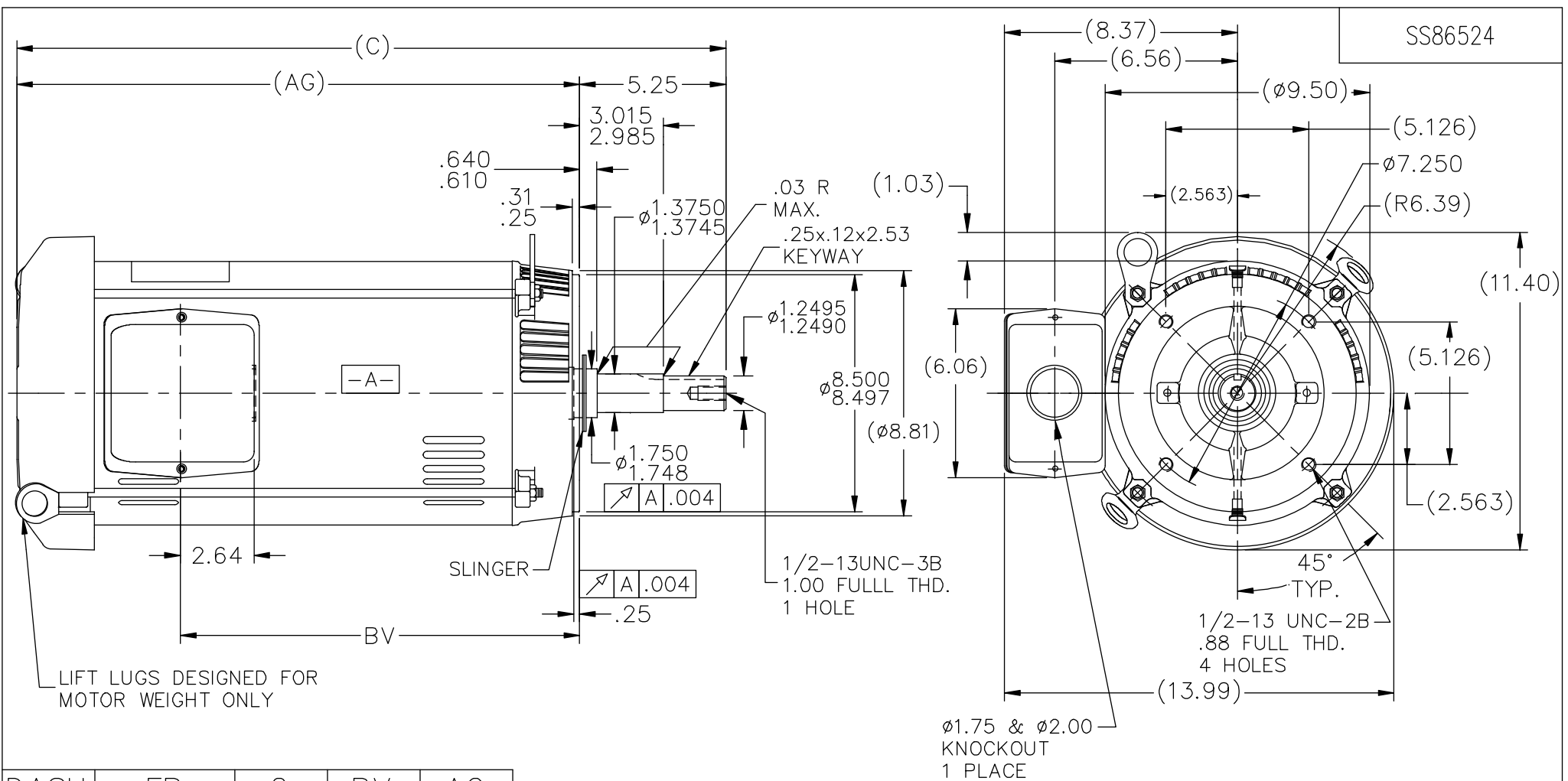
### Nameplate Specifications

|                            |                |                        |                   |
|----------------------------|----------------|------------------------|-------------------|
| Output HP                  | <b>20 HP</b>   | Output KW              | <b>14.9 kW</b>    |
| Frequency                  | <b>60 Hz</b>   | Voltage                | <b>230/460 V</b>  |
| Current                    | <b>50/25 A</b> | Speed                  | <b>1750 RPM</b>   |
| Service Factor             | <b>1.15</b>    | Phase                  | <b>3</b>          |
| Efficiency                 | <b>91 %</b>    | Duty                   | <b>CONTINUOUS</b> |
| Insulation Class           | <b>B</b>       | Design Code            | <b>B</b>          |
| KVA Code                   | <b>F</b>       | Frame                  | <b>256JMV</b>     |
| Enclosure                  | <b>DP</b>      | Overload Protector     | <b>NOT</b>        |
| Ambient Temperature        | <b>40 °C</b>   | Drive End Bearing Size | <b>6309</b>       |
| Opp Drive End Bearing Size | <b>6208</b>    | UL                     | <b>Recognized</b> |
| CSA                        | <b>Y</b>       | CE                     | <b>Y</b>          |
| IP Code                    | <b>12</b>      |                        |                   |

### Technical Specifications

|                       |                        |                       |                        |
|-----------------------|------------------------|-----------------------|------------------------|
| Electrical Type       | <b>SQ CAGE IND RUN</b> | Starting Method       | <b>ACROSS THE LINE</b> |
| Poles                 | <b>4</b>               | Rotation              | <b>REV</b>             |
| Mounting              | <b>ROUND</b>           | Motor Orientation     | <b>SHAFT DOWN</b>      |
| Drive End Bearing     | <b>BALL</b>            | Opp Drive End Bearing | <b>BALL</b>            |
| Frame Material        | <b>ROLLED STEEL</b>    | Shaft Type            | <b>JM</b>              |
| Overall Length        | <b>25.45 in</b>        | Frame Length          | <b>15.15 in</b>        |
| Shaft Diameter        | <b>1.25 in</b>         | Shaft Extension       | <b>5.28 in</b>         |
| Assembly/Box Mounting | <b>F1/F2 CAPABLE</b>   |                       |                        |
| Outline Drawing       | <b>A-SS86524-1515</b>  | Connection Diagram    | <b>A-EE7308</b>        |

This is an uncontrolled document once printed or downloaded and is subject to change without notice. Date Created: 11/12/2019



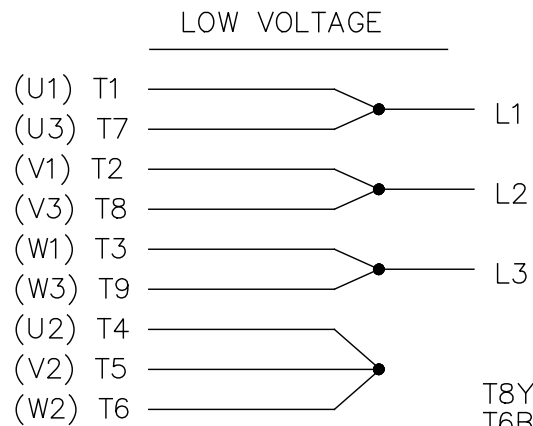
| DASH | FR.       | C     | BV    | AG    |
|------|-----------|-------|-------|-------|
| 1340 | 254JM     | 23.70 | 12.68 | 18.45 |
| 1515 | 254/256JM | 25.45 | 14.43 | 20.20 |
| 1545 | 254/256JM | 25.75 | 14.73 | 20.50 |

- NOTES:  
 1. NAMEPLATE TO BE READ FROM SHAFT EXT. END OF MOTOR.  
 2. BOX CAN BE MOUNTED IN 90° STEPS.

| NO.  | REVISION  | BY & DATE      | CHK | ANG   | ±7'30" | TOLERANCES UNLESS SPECIFIED |                  | MARATHON ELECTRIC | DRAWN DJK 10-29-1993 |         |         |
|--|---|----------------|-----|-------|--------|-----------------------------|------------------|-------------------|----------------------|---------|---------|
|  |   |                |     |       |        | DEC.                        | INCHES           |                   |                      |         |         |
| 11   | ADDED ITEM #1545(256TTDX4041)                                       | PVR 07/11/2013 | JD  |       |        |                             |                  |                   |                      |         |         |
| 10   | REVISED INTERNAL THREAD LENGTH ON SHAFT FROM 1.25 TO 1.00 ECN 16312 | MSG 5/24/2010  | ML  | DEC.  | INCHES | .X                          | ±.1              |                   | CHK ML 11-01-1993    |         |         |
| 9  | UPDATED DRAWING   | TJW 04/27/2007 |     | .XX   | ±.03   |                             |                  |                   | APPD DRN 11-01-1993  |         |         |
| 8  | REDRAWN IN AUTOCAD  | TAT 07-06-2004 |     | .XXX  | ±.005  |                             |                  |                   | SCALE 3=16           |         |         |
| 7  | REVISED DIM. 2.70 TO 2.64 CN 29200-185                              | CAV 02-24-2000 |     | .XXXX | ±.0005 |                             |                  |                   | REF                  |         |         |
|  |   |                |     |       |        |                             |                  |                   | FMF                  |         |         |
|  |   |                |     |       |        |                             |                  |                   | PREV                 |         |         |
| THIS DRAWING IN DESIGN AND DETAIL IS OUR PROPERTY AND MUST NOT BE USED EXCEPT IN CONNECTION WITH OUR WORK ALL RIGHTS OF DESIGN AND INVENTION ARE RESERVED THIS IS AN ELECTRONICALLY GENERATED DOCUMENT - DO NOT SCALE THIS PRINT |   |                |     |       |        | RFP                         | CAD FILE ss86524 | SIZE A            | DRAWING NO. SS86524  | PAGE OF | REV. 11 |
|  |   |                |     |       |        | DIST LB                     |                  |                   |                      |         |         |

EE7308

THREE PHASE  
DUAL VOLTAGE MOTOR



VIEW OF TERMINAL END

REF.  
WINDING DIAGRAM

T8Y, T2Y, T2BL, T4BX, T2EC, T2G  
T6BZ, T2B, T6BL, T4AV, T6B, T4B

OPTIONAL CORD  
CONNECTION

L1 — WHITE  
L2 — RED  
L3 — BLACK

| NO.  | REVISION                                       | BY & DATE      | CHK | ANG   | TOLERANCES<br>UNLESS SPECIFIED |        | FINISH  | DRAWN RM 11/20/1990 |        |                    |           |        |
|--|--|----------------|-----|-------|--------------------------------|--------|---|---------------------|--------|--------------------|-----------|--------|
|  |  |                |     |       | DEC.                           | INCHES |   |                     |        |                    |           |        |
| 5  | CHG TO REGAL LOGO                              | SL 09/10/2015  | AB  |       |                                |        |   | CHK ML 11/21/1990   |        |                    |           |        |
| 4  | REVISED IEC NOTATIONS                          | MSG 11/15/2011 | CMN | .X    | ±.1                            |        |   | APPD SAS 04/24/2003 |        |                    |           |        |
| 3  | ADDED IEC NOTATIONS... (U1), (V1) ETC. MU95194 | MSG 5/10/2010  | MJS | .XX   | ±.02                           |        |   | SCALE 1=1           |        |                    |           |        |
| 2  | ADDED THE OPTIONAL CORD CONNECTION MU46318     | RDH 04/24/2003 | DRS | .XXX  | ±.005                          |        | TITLE CONNECTION DIAGRAM<br>3Ø - DUAL VOLTAGE MOTOR | REF                 |        |                    |           |        |
| 1  | REDRAWN  | RM 11/20/1990  |     | .XXXX | ±.0005                         |        | MAT'L.  | FMF                 |        |                    |           |        |
|  |  |                |     |       | ±7'30"                         |        |   | PREV                |        |                    |           |        |
| THIS DRAWING IN DESIGN AND DETAIL IS OUR PROPERTY AND MUST NOT BE USED EXCEPT IN CONNECTION WITH OUR WORK ALL RIGHTS OF DESIGN AND INVENTION ARE RESERVED THIS IS AN ELECTRONICALLY GENERATED DOCUMENT - DO NOT SCALE THIS PRINT |  |                |     |       |                                |        | RFP   | CAD FILE ee7308     | SIZE A | DRAWING NO. EE7308 | PAGE OF 5 | REV. 5 |
|  |  |                |     |       |                                |        | DIST WP   |                     |        |                    |           |        |

