

PRODUCT INFORMATION PACKET

Model No: 256TTDX14087
Catalog No: C156A
10,1200,DP,256TC,3/60/230/460
Open Drip Proof (ODP)



Regal and Marathon are trademarks of Regal Beloit Corporation or one of its affiliated companies.

©2019 Regal Beloit Corporation, All Rights Reserved. MC017097E

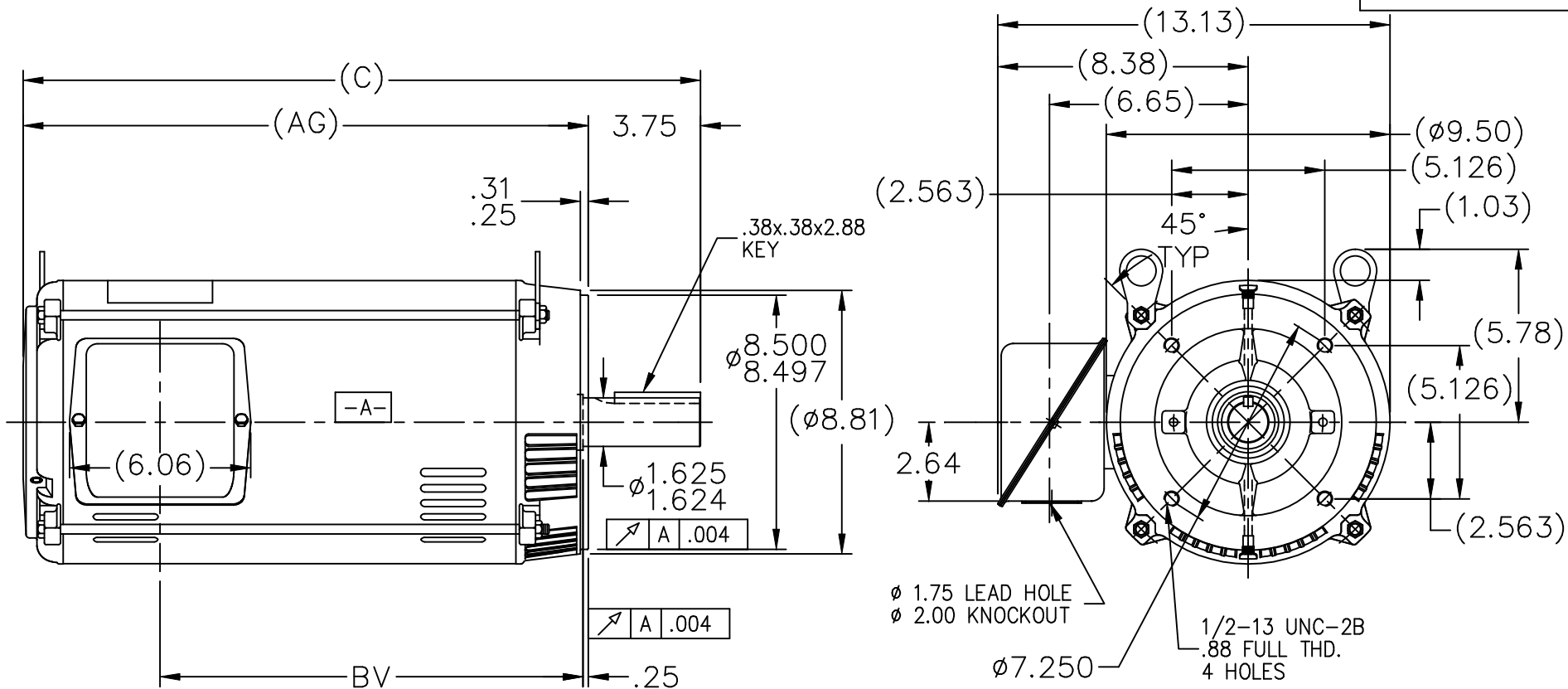


Nameplate Specifications

Output HP	10 HP	Output KW	7.50 kW
Frequency	60 Hz	Voltage	230/460 V
Current	28/14 A	Speed	1165 RPM
Service Factor	1.15	Phase	3
Efficiency	90.2 %	Duty	CONTINUOUS
Insulation Class	F	Design Code	B
KVA Code	H	Frame	256TC
Enclosure	DP	Overload Protector	NOT
Ambient Temperature	40 °C	Drive End Bearing Size	6309
Opp Drive End Bearing Size	6208	UL	Recognized
CSA	Y	CE	Y
IP Code	12		

Technical Specifications

Electrical Type	SQ CAGE IND RUN	Starting Method	ACROSS THE LINE
Poles	6	Rotation	REV
Mounting	ROUND	Motor Orientation	HORIZONTAL
Drive End Bearing	BALL	Opp Drive End Bearing	BALL
Frame Material	ROLLED STEEL	Shaft Type	T
Overall Length	22.67 in	Frame Length	15.15 in
Shaft Diameter	1.63 in	Shaft Extension	4 in
Assembly/Box Mounting	F1/F2 CAPABLE		
Outline Drawing	A-SS86523-1515	Connection Diagram	A-EE7308



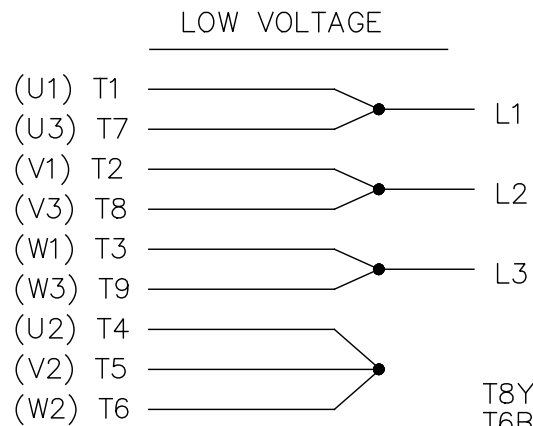
DASH	FR.	C	BV	AG	MOUNTING
1340	254T	20.92	12.68	17.17	F1 OR F2
1515	254/256T	22.67	14.43	18.92	F1 OR F2

- NOTES:
1. NAMEPLATE TO BE READ FROM C'BOX SIDE OF MOTOR.
 2. BOX CAN BE MOUNTED IN 90° STEPS.
 3. BOX CAN BE MOUNTED ON OPPOSITE SIDE BY REMOVING BRACKETS AND TURNING FRAME 180°. (EXCEPT AS NOTED.)

			TOLERANCES UNLESS SPECIFIED			DRAWN DJK 10/26/1993		
			DEC.	INCHES		CHK ML 10/27/1993		
4	UPDATED DRAWING	TJW 05/14/2007	.X	±.1	TITLE OUTLINE 250TC FR.-BB-TS-DR.PR.-'C'FACE MAT'L. FINISH	APPD DRN 10/27/1993		
3	UPDATED C'BOX MU31829	CAV 6/16/2000	.XX	±.03		SCALE 3=16		
2	-1515 WAS FOR 256T FR. ONLY CN18683	KL 10/11/1994	.XXX	±.005		REF		
1	NEW DRAWING	DJK 10/27/1993	.XXXX	±.0005		FMF		
NO.	REVISION	BY & DATE	CHK	ANG ±7'30"		PREV		
THIS DRAWING IN DESIGN AND DETAIL IS OUR PROPERTY AND MUST NOT BE USED EXCEPT IN CONNECTION WITH OUR WORK ALL RIGHTS OF DESIGN AND INVENTION ARE RESERVED THIS IS AN ELECTRONICALLY GENERATED DOCUMENT - DO NOT SCALE THIS PRINT			RFP	CAD FILE SS86523	SIZE A	DRAWING NO. SS86523	PAGE 1 OF 1	REV. 4
			DIST LB					

EE7308

THREE PHASE
DUAL VOLTAGE MOTOR



VIEW OF TERMINAL END

REF.
WINDING DIAGRAM

T8Y, T2Y, T2BL, T4BX, T2EC, T2G
T6BZ, T2B, T6BL, T4AV, T6B, T4B

OPTIONAL CORD
CONNECTION

L1 — WHITE
L2 — RED
L3 — BLACK

NO.	REVISION	BY & DATE	CHK	ANG	TOLERANCES UNLESS SPECIFIED		FINISH	DRAWN RM 11/20/1990				
					DEC.	INCHES						
5	CHG TO REGAL LOGO	SL 09/10/2015	AB					CHK ML 11/21/1990				
4	REVISED IEC NOTATIONS	MSG 11/15/2011	CMN	.X	±.1			APPD SAS 04/24/2003				
3	ADDED IEC NOTATIONS... (U1), (V1) ETC. MU95194	MSG 5/10/2010	MJS	.XX	±.02		TITLE CONNECTION DIAGRAM	SCALE 1=1				
2	ADDED THE OPTIONAL CORD CONNECTION MU46318	RDH 04/24/2003	DRS	.XXX	±.005		3Ø - DUAL VOLTAGE MOTOR	REF				
1	REDRAWN	RM 11/20/1990		.XXXX	±.0005		MAT'L.	FMF				
					±7'30"			PREV				
THIS DRAWING IN DESIGN AND DETAIL IS OUR PROPERTY AND MUST NOT BE USED EXCEPT IN CONNECTION WITH OUR WORK ALL RIGHTS OF DESIGN AND INVENTION ARE RESERVED THIS IS AN ELECTRONICALLY GENERATED DOCUMENT - DO NOT SCALE THIS PRINT							RFP	CAD FILE ee7308	SIZE A	DRAWING NO. EE7308	PAGE OF 5	REV. 5
							DIST WP					

