

PRODUCT INFORMATION PACKET

Model No: 254TTFL17039
Catalog No: H623
15,1800,TEFC,254T,3/60/200
Other Purpose



Regal and Marathon are trademarks of Regal Beloit Corporation or one of its affiliated companies.
©2019 Regal Beloit Corporation, All Rights Reserved. MC017097E

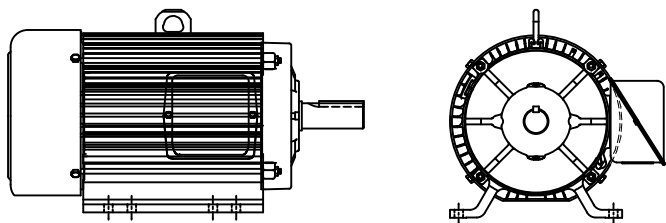
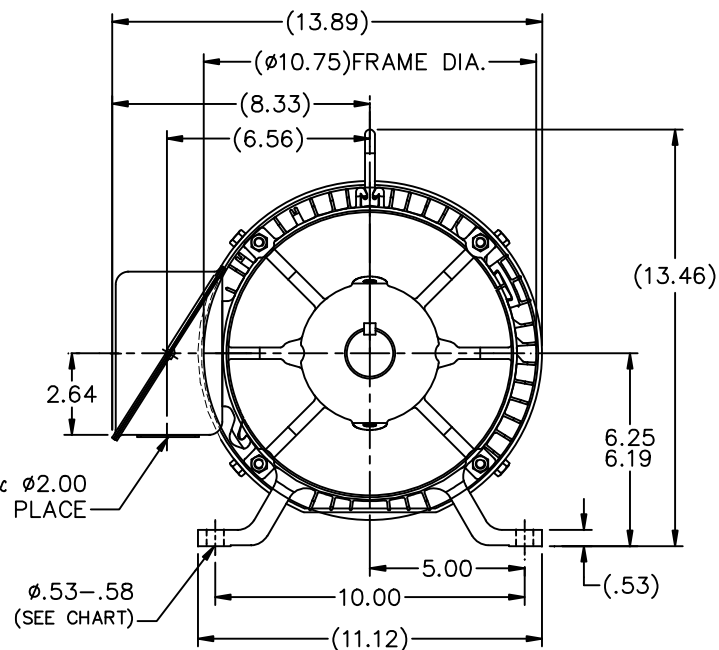
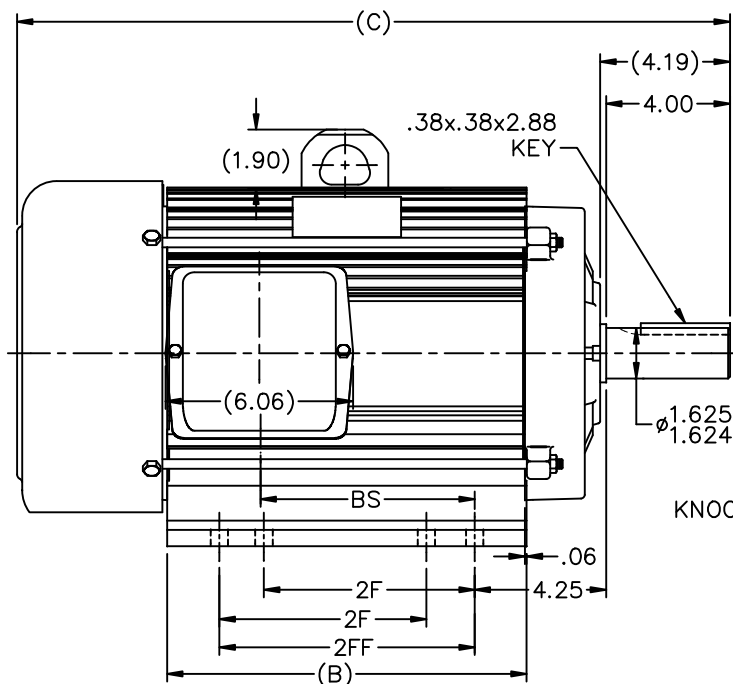


Nameplate Specifications

Output HP	15 HP	Output KW	11.2 kW
Frequency	60 Hz	Voltage	200 V
Current	44.5 A	Speed	1740 RPM
Service Factor	1.15	Phase	3
Efficiency	88.5 %	Duty	CONTINUOUS
Insulation Class	F	Design Code	B
KVA Code	G	Frame	254T
Enclosure	TEFC	Overload Protector	NOT
Ambient Temperature	40 °C	Drive End Bearing Size	6309
Opp Drive End Bearing Size	6309	UL	Recognized
CSA	Y	CE	Y
IP Code	43		

Technical Specifications

Electrical Type	SQ CAGE IND RUN	Starting Method	ACROSS THE LINE
Poles	4	Rotation	REV
Mounting	RIGID	Motor Orientation	HORIZONTAL
Drive End Bearing	BALL	Opp Drive End Bearing	BALL
Frame Material	ALUMINUM	Shaft Type	T
Overall Length	22.49 in	Frame Length	11 in
Shaft Diameter	1.63 in	Shaft Extension	4 in
Assembly/Box Mounting	F1/F2 CAPABLE		
Outline Drawing	B-SS330109-1100	Connection Diagram	A-EE7300



F2 CONDUIT BOX LOCATION

NOTES:

1. CONDUIT BOX CAN BE ROTATED IN 180° STEPS.
2. NAMEPLATE TO BE READ FROM CONDUIT BOX SIDE OF MOTOR
3. SEE CHART FOR F2 CAPABILITY. IF YES, BOX CAN BE MOUNTED ON OPPOSITE SIDE BY REMOVING BRACKETS AND TURNING FRAME 180°

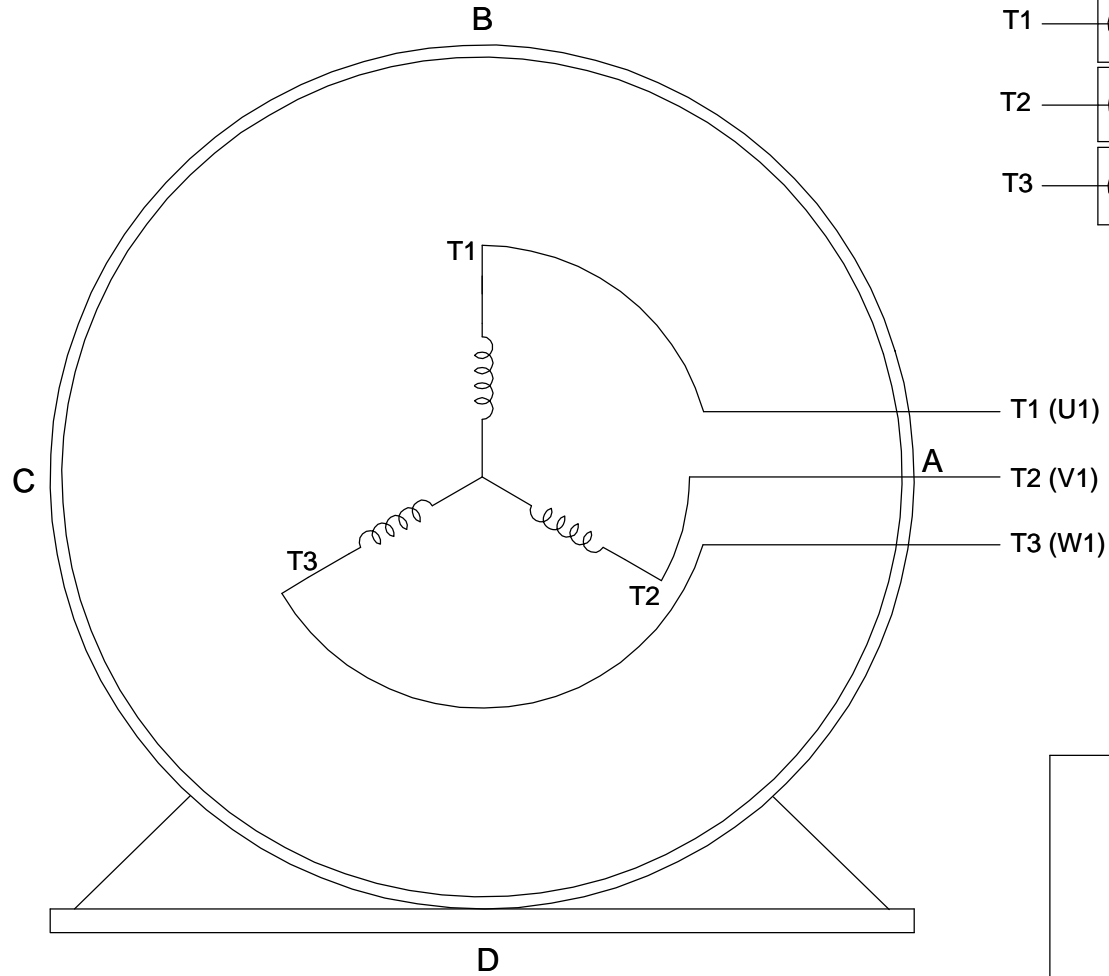
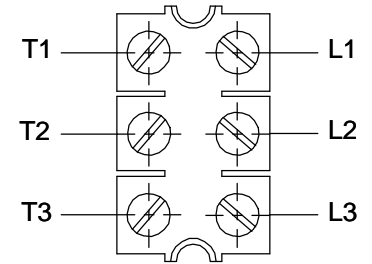
DASH	FRAME	B	C	2F	2FF	BS	F2 CAPABLE	NO. OF MTG. HOLES
1100	254T	11.12	22.49	8.25	-	6.46	NO	4
1150	254T	11.62	22.99	8.25	-	6.96	YES	4
1275	254T	12.87	24.24	8.25	-	8.21	NO	4
1275	254T	12.87	24.24	8.25	-	8.21	YES	8
1275	256T	12.87	24.24	10.00	-	8.21	NO	4
1325	254T	13.37	24.74	8.25	10.00	8.25	YES	8
1325	256T	13.37	24.74	10.00	-	8.71	YES	4
1375	256T	13.87	25.24	10.00	-	9.21	YES	4
1475	256T	14.87	26.24	10.00	-	10.21	YES	8

NO.	REVISION	BY & DATE	CHK	ANG	±7°30'	FINISH	PREV
8	REMOVED DIMENSION 9.50 FROM -1275 / 2FF	RJW 6/17/2008	ML	UNLESS SPECIFIED			
7	UPDATED DRAWING	RJW 04-12-2007	DEC.	INCHES			
6	REVISED DASH 1275 (2F) WAS 10.00 ECN8752 CN40215	RJW 06-21-2006	ML	.XX	±.1		
5	ADDED "2FF" COLUMN CN 40215	JJB 06/01/2006	ML	.XX	±.03		
4	-1475; '2F' DIMENSION WAS 12.00 CN 46434	DRS 05-08-2006	ML	.XXX	±.005		
3	REVISED DASH 1475 / 2F WAS 11.50 CN46368	RJW 02-14-2006	ML	.XXXX	±.0005		
TITLE OUTLINE		MARATHON ELECTRIC		DRAWN MJK 04-13-2005		CHK ML 08-18-2005	
210 FR.-254/56 MTG. ALUMINUM FR.-TEFC				SCALE 1=4		APPD CGD 08-18-2005	
MAT'L				REF		FMF	
RFP		CAD FILE ss330109		SIZE B		DRAWING NO. SS330109	
DIST LB				PAGE OF		REV. 8	

**THREE PHASE - SINGLE VOLTAGE
MOTOR - CONDUIT BOX @ 'A'**

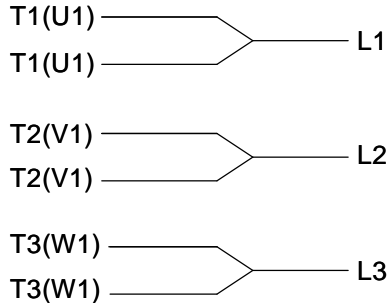
**TO REVERSE ROTATION:
INTERCHANGE ANY TWO
LINE LEAD CONNECTIONS.**

TERMINAL BLOCK WHEN SPECIFIED



VIEW OF TERMINAL END

**IF MOTOR HAS
6 LEADS**



A-9806 DECAL

**OPTIONAL CORD
CONNECTION**

- L1 WHITE
- L2 RED
- L3 BLACK

DRAWING REVISION AB	REVISION BY JJB	DATE 06-27-2017
ECO ECO-0125361	APPROVED BY TB	DATE 06-27-2017
ECO DESCRIPTION UPDATED TO CURRENT STANDARDS		
<small>COPYRIGHT REGAL BELOIT AMERICA, INC. ALL RIGHTS RESERVED. PROPRIETARY AND CONFIDENTIAL INFORMATION - THIS DOCUMENT IS THE PROPERTY OF REGAL BELOIT AMERICA, INC. ("OWNER") AND CONTAINS OWNER'S PROPRIETARY INFORMATION. ANY PERSON, CORPORATION OR OTHER FIRM RECEIVING IT IS DEEMED, BY RECEIVING IT, TO AGREE THAT IT, AND/OR ANY PART OF IT, SHALL NOT BE DISCLOSED TO ANY PERSON, CORPORATION OR OTHER ENTITY, DUPLICATED, AND/OR USED, EXCEPT AS EXPRESSLY APPROVED IN WRITING IN ADVANCE BY OWNER. THIS DOCUMENT SHALL BE RETURNED TO OWNER UPON REQUEST. IT MAY BE SUBJECT TO CERTAIN RESTRICTIONS UNDER APPLICABLE EXPORT CONTROL LAWS AND REGULATIONS.</small>		



DRAWN BY DA
DATE 03-26-1993
APPROVED BY TB
DATE 03-26-1993
REFERENCE
THIRD ANGLE PROJECTION

Regal Beloit America, Inc.		
		DESCRIPTION CONNECTION DIAGRAM EXTERNAL - SINGLE VOLTAGE - 3Ø MOTOR
MATERIAL	PROCESS/FINISH	
SIZE A	DRAWING NUMBER EE7300	SHEET 1 OF 1