

PRODUCT INFORMATION PACKET

Model No: 254TTDB4026
Catalog No: E722
15,1800,DP,254T,3/60/208-230/460
Other Purpose



Regal and Marathon are trademarks of Regal Beloit Corporation or one of its affiliated companies.
©2019 Regal Beloit Corporation, All Rights Reserved. MC017097E



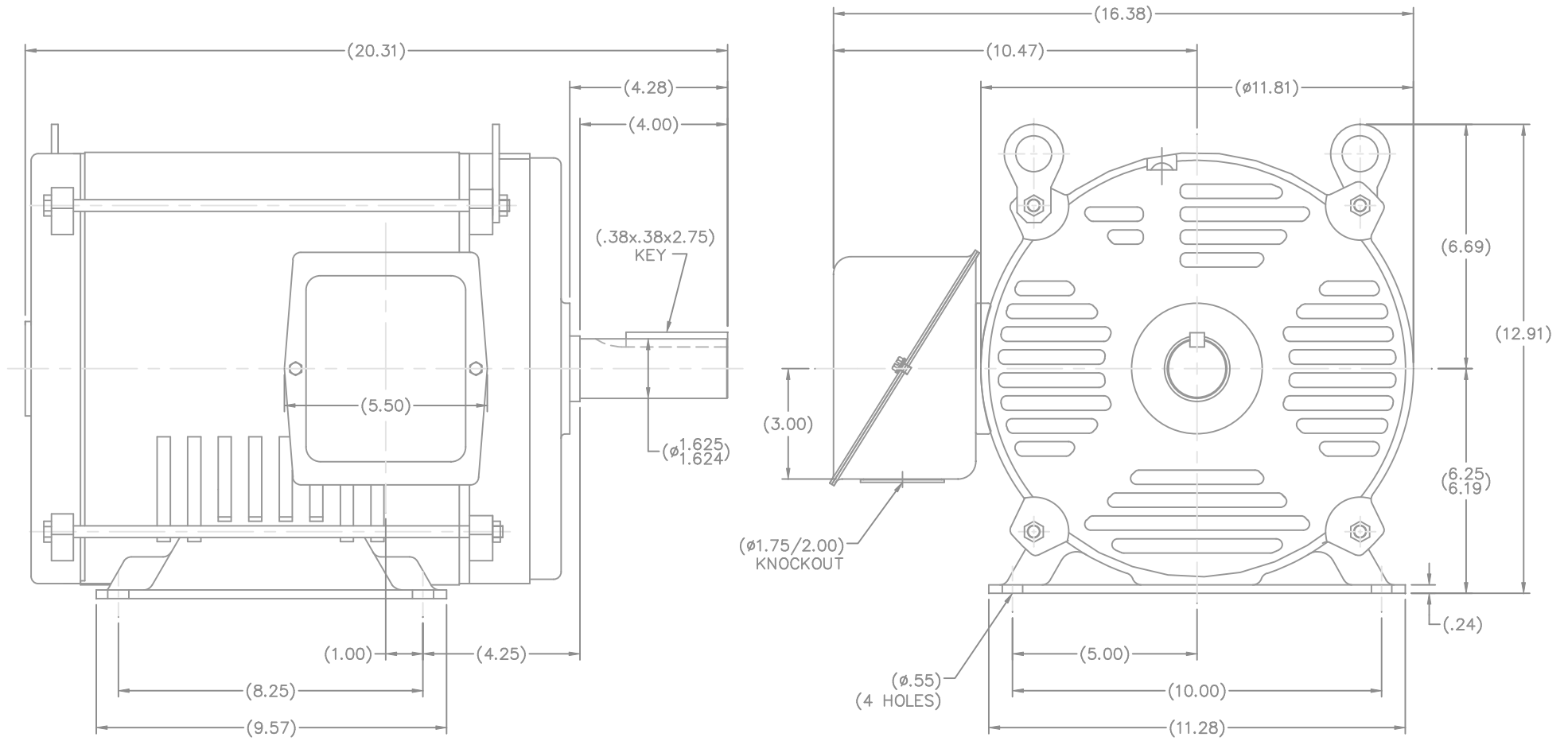
Nameplate Specifications

| | | | |
|----------------------------|-------------------|------------------------|----------------------|
| Output HP | 15 HP | Output KW | 11.2 kW |
| Frequency | 60 Hz | Voltage | 208-230/460 V |
| Current | 40-36/18 A | Speed | 1765 RPM |
| Service Factor | 1.15 | Phase | 3 |
| Efficiency | 91 % | Duty | CONTINUOUS |
| Insulation Class | B | Design Code | B |
| KVA Code | G | Frame | 254T |
| Enclosure | DP | Overload Protector | NOT |
| Ambient Temperature | 40 °C | Drive End Bearing Size | NONE |
| Opp Drive End Bearing Size | NONE | UL | Recognized |
| CSA | Y | CE | Y |
| IP Code | 12 | | |

Technical Specifications

| | | | |
|-------------------|------------------------|-----------------------|------------------------|
| Electrical Type | SQ CAGE IND RUN | Starting Method | ACROSS THE LINE |
| Poles | 4 | Rotation | REV |
| Mounting | RIGID | Motor Orientation | HORIZONTAL |
| Drive End Bearing | BALL | Opp Drive End Bearing | BALL |
| Frame Material | ROLLED STEEL | Shaft Type | T |
| Overall Length | 20.31 in | Shaft Diameter | 1.63 in |
| Shaft Extension | 4 in | Assembly/Box Mounting | F1/F2 CAPABLE |
| Outline Drawing | B-SS620016 | Connection Diagram | A-EE7308 |

This is an uncontrolled document once printed or downloaded and is subject to change without notice. Date Created: 12/12/2019



| | | TOLERANCES UNLESS SPECIFIED | | MARATHON ELECTRIC | | DRAWN MSG 01-17-2007 | |
|--|----------|-----------------------------|--------|-------------------|-------------------|----------------------|--------------------------|
| | | DEC. | INCHES | | | CHK | ML 01-18-2007 |
| | | .X | ±.1 | | | APPD | GK 01-18-2007 |
| | | .XX | ±.03 | TITLE OUTLINE | | SCALE | 3=8 |
| | | .XXX | ±.005 | 254T FR. - (TTDB) | | REF | 254TTDBA4026 |
| | | .XXXX | ±.0005 | MAT'L | | FMF | HUADA |
| NO. | REVISION | BY & DATE | CHK | ANG | ±7'30" | FINISH | PREV |
| THIS DRAWING IN DESIGN AND DETAIL IS OUR PROPERTY AND MUST NOT BE USED EXCEPT IN CONNECTION WITH OUR WORK ALL RIGHTS OF DESIGN AND INVENTION ARE RESERVED THIS IS AN ELECTRONICALLY GENERATED DOCUMENT - DO NOT SCALE THIS PRINT | | | | RFP | CAD FILE SS620016 | SIZE | DRAWING NO. PAGE OF REV. |
| | | | | DIST | | B | SS620016 |

EE7308

THREE PHASE
DUAL VOLTAGE MOTOR



VIEW OF TERMINAL END

REF.
WINDING DIAGRAM

T8Y, T2Y, T2BL, T4BX, T2EC, T2G
T6BZ, T2B, T6BL, T4AV, T6B, T4B

OPTIONAL CORD
CONNECTION

L1 — WHITE
L2 — RED
L3 — BLACK

| NO. | REVISION | BY & DATE | CHK | ANG | TOLERANCES UNLESS SPECIFIED | | FINISH | DRAWN RM 11/20/1990 | | | | |
|--|--|----------------|-----|-------|--------------------------------|--------|--------------------------|---------------------|--------|--------------------|-----------|--------|
| | | | | | DEC. | INCHES | | | | | | |
| 5 | CHG TO REGAL LOGO | SL 09/10/2015 | AB | | | | | CHK ML 11/21/1990 | | | | |
| 4 | REVISED IEC NOTATIONS | MSG 11/15/2011 | CMN | .X | ±.1 | | | APPD SAS 04/24/2003 | | | | |
| 3 | ADDED IEC NOTATIONS... (U1), (V1) ETC. MU95194 | MSG 5/10/2010 | MJS | .XX | ±.02 | | TITLE CONNECTION DIAGRAM | SCALE 1=1 | | | | |
| 2 | ADDED THE OPTIONAL CORD CONNECTION MU46318 | RDH 04/24/2003 | DRS | .XXX | ±.005 | | 3Ø - DUAL VOLTAGE MOTOR | REF | | | | |
| 1 | REDRAWN | RM 11/20/1990 | | .XXXX | ±.0005 | | MAT'L. | FMF | | | | |
| | | | | | ±7'30" | | | PREV | | | | |
| THIS DRAWING IN DESIGN AND DETAIL IS OUR PROPERTY AND MUST NOT BE USED EXCEPT IN CONNECTION WITH OUR WORK ALL RIGHTS OF DESIGN AND INVENTION ARE RESERVED THIS IS AN ELECTRONICALLY GENERATED DOCUMENT - DO NOT SCALE THIS PRINT | | | | | | | RFP | CAD FILE ee7308 | SIZE A | DRAWING NO. EE7308 | PAGE OF 5 | REV. 5 |
| | | | | | | | DIST WP | | | | | |

