

PRODUCT INFORMATION PACKET

Model No: 215TTFS4001
Catalog No: U636
10,3600,TEFC,215T,3/60/230/460
Other Purpose



Regal and Marathon are trademarks of Regal Beloit Corporation or one of its affiliated companies.
©2019 Regal Beloit Corporation, All Rights Reserved. MC017097E



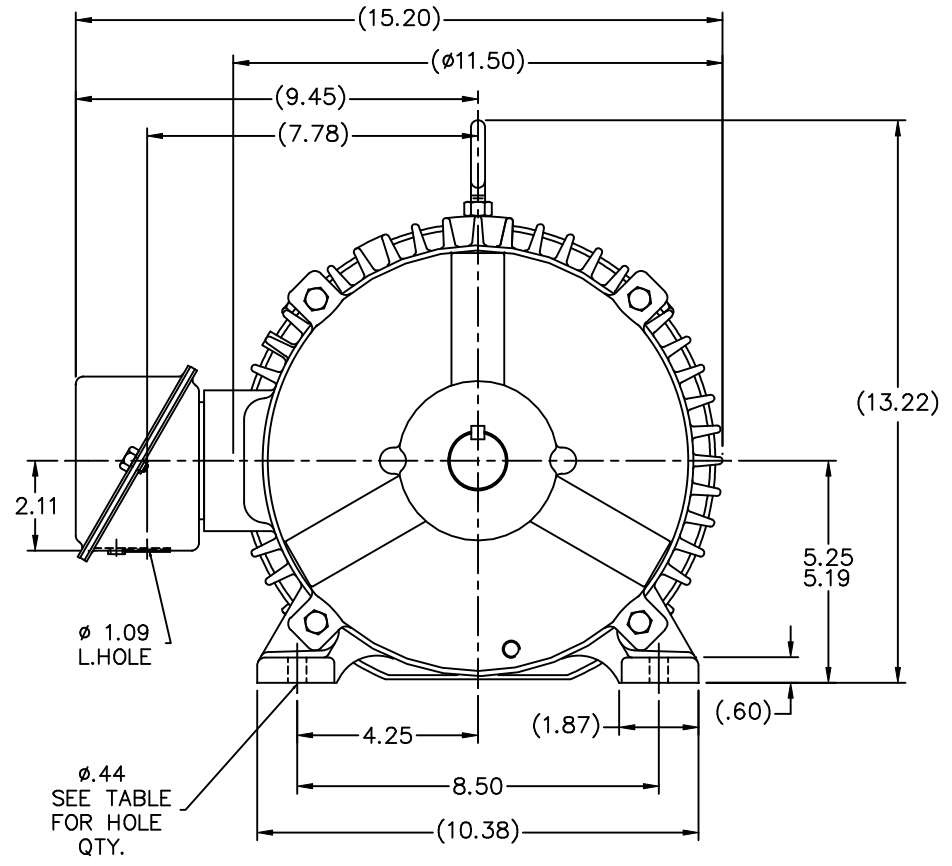
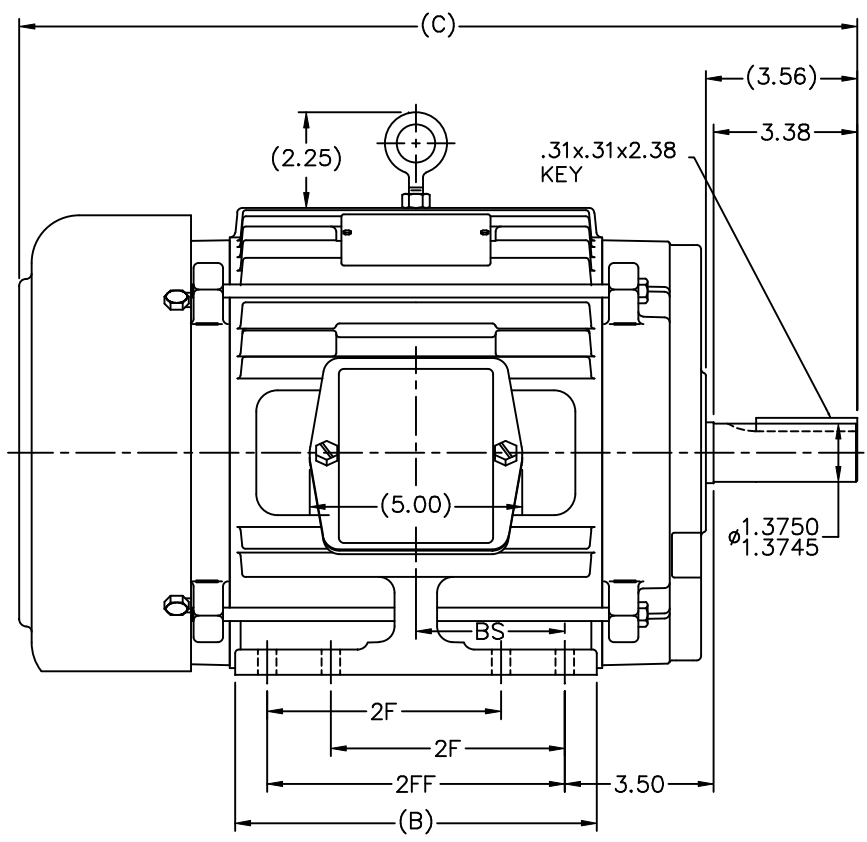
Nameplate Specifications

Output HP	10 HP	Output KW	7.5 kW
Frequency	60 Hz	Voltage	230/460 V
Current	24/12 A	Speed	3525 RPM
Service Factor	1.15	Phase	3
Efficiency	90.2 %	Duty	CONTINUOUS
Insulation Class	F	Design Code	B
KVA Code	G	Frame	215T
Enclosure	TEFC	Overload Protector	NOT
Ambient Temperature	40 °C	Drive End Bearing Size	6307
Opp Drive End Bearing Size	6206	UL	Recognized
CSA	Y	CE	Y
IP Code	43		

Technical Specifications

Electrical Type	SQ CAGE IND RUN	Starting Method	ACROSS THE LINE
Poles	2	Rotation	REV
Mounting	RIGID	Motor Orientation	HORIZONTAL
Drive End Bearing	BALL	Opp Drive End Bearing	BALL
Frame Material	CAST IRON	Shaft Type	T
Overall Length	19.7 in	Frame Length	8.75 in
Shaft Diameter	1.38 in	Shaft Extension	3.56 in
Assembly/Box Mounting	F1/F2 CAPABLE		
Outline Drawing	B-SS84278-875	Connection Diagram	A-EE7308

This is an uncontrolled document once printed or downloaded and is subject to change without notice. Date Created: 11/12/2019



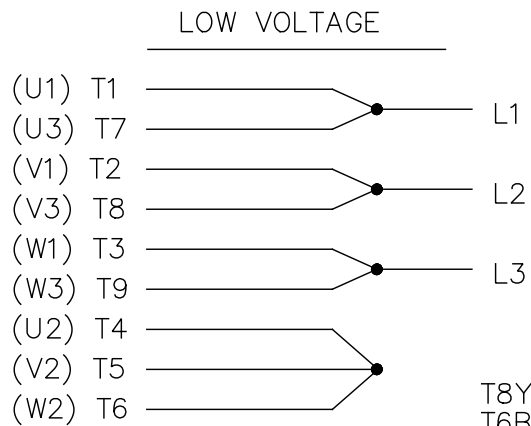
- NOTES:
 1. CONDUIT BOX CAN BE ROTATED IN 90° STEPS.
 2. CONDUIT BOX CAN BE MOUNTED ON OPPOSITE SIDE BY REMOVING BRACKETS AND TURNING FRAME 180°.
 3. NAMEPLATE TO BE READ FROM CONDUIT BOX SIDE OF MOTOR

DASH	FRAME	B	C	2F	2FF	BS	FOOT HOLE QTY.	MOUNTING
725	213T	7.00	18.20	-	5.50	2.75	4	F1 OR F2
875	215T	8.50	19.70	-	7.00	3.50	4	F1 OR F2
875	213/5T	8.50	19.70	5.50	7.00	3.50	8	F1 OR F2
1000	213T	9.75	20.95	5.50	8.25	4.12	8	F1 OR F2
1000	215T	9.75	20.95	7.00	8.25	4.12	8	F1 OR F2

				TOLERANCES UNLESS SPECIFIED		MARATHON ELECTRIC		DRAWN SMC 04-07-1993		
				DEC.	INCHES			CHK	ML 04-12-1993	
7	ADDED FOOT HOLE QTY. & MTG. TO TABLE	CN 37322	TAT 01-14-2004	ML	.X	±.03	TITLE OUTLINE		APPD GK 04-19-1993	
6	UPDATED C' BOX GEOMETRY	CN 28425	DRS 01-27-2000	.XX	±.005	210T FR. - TEFC - STEEL C' BOX		SCALE	11-32	
5	ADDED DASHES 725 & 1000 WAS 'A' SIZE	CN 27451	MRB 04-13-1999	.XXX	±.0005	MAT'L		REF		
4	5.25/5.19 DIM. WAS 5.22/5.22	CN 16763	MRB 05-03-1995	.XXXX	±7'30"	FINISH		FMF		
NO.	REVISION	BY & DATE	CHK	ANG	FINISH		PREV			
THIS DRAWING IN DESIGN AND DETAIL IS OUR PROPERTY AND MUST NOT BE USED EXCEPT IN CONNECTION WITH OUR WORK ALL RIGHTS OF DESIGN AND INVENTION ARE RESERVED THIS IS AN ELECTRONICALLY GENERATED DOCUMENT - DO NOT SCALE THIS PRINT				RFP	CAD FILE ss84278		SIZE	DRAWING NO.	PAGE OF	REV.
				DIST	LB	B	SS84278	7	7	

EE7308

THREE PHASE
DUAL VOLTAGE MOTOR



VIEW OF TERMINAL END

REF.
WINDING DIAGRAM

T8Y, T2Y, T2BL, T4BX, T2EC, T2G
T6BZ, T2B, T6BL, T4AV, T6B, T4B

OPTIONAL CORD
CONNECTION

L1 — WHITE
L2 — RED
L3 — BLACK

NO.	REVISION	BY & DATE	CHK	ANG	TOLERANCES UNLESS SPECIFIED		FINISH	DRAWN RM 11/20/1990				
					DEC.	INCHES						
5	CHG TO REGAL LOGO	SL 09/10/2015	AB					CHK ML 11/21/1990				
4	REVISED IEC NOTATIONS	MSG 11/15/2011	CMN	.X	±.1			APPD SAS 04/24/2003				
3	ADDED IEC NOTATIONS... (U1), (V1) ETC. MU95194	MSG 5/10/2010	MJS	.XX	±.02		TITLE CONNECTION DIAGRAM	SCALE 1=1				
2	ADDED THE OPTIONAL CORD CONNECTION MU46318	RDH 04/24/2003	DRS	.XXX	±.005		3Ø - DUAL VOLTAGE MOTOR	REF				
1	REDRAWN	RM 11/20/1990		.XXXX	±.0005		MAT'L.	FMF				
					±7'30"			PREV				
THIS DRAWING IN DESIGN AND DETAIL IS OUR PROPERTY AND MUST NOT BE USED EXCEPT IN CONNECTION WITH OUR WORK ALL RIGHTS OF DESIGN AND INVENTION ARE RESERVED THIS IS AN ELECTRONICALLY GENERATED DOCUMENT - DO NOT SCALE THIS PRINT							RFP	CAD FILE ee7308	SIZE A	DRAWING NO. EE7308	PAGE OF 5	REV. 5
							DIST WP					

