

PRODUCT INFORMATION PACKET

Model No: 215TTFC4026
Catalog No: U639
10,1800,TEFC,215T,3/60/230/460
Other Purpose



Regal and Marathon are trademarks of Regal Beloit Corporation or one of its affiliated companies.
©2019 Regal Beloit Corporation, All Rights Reserved. MC017097E

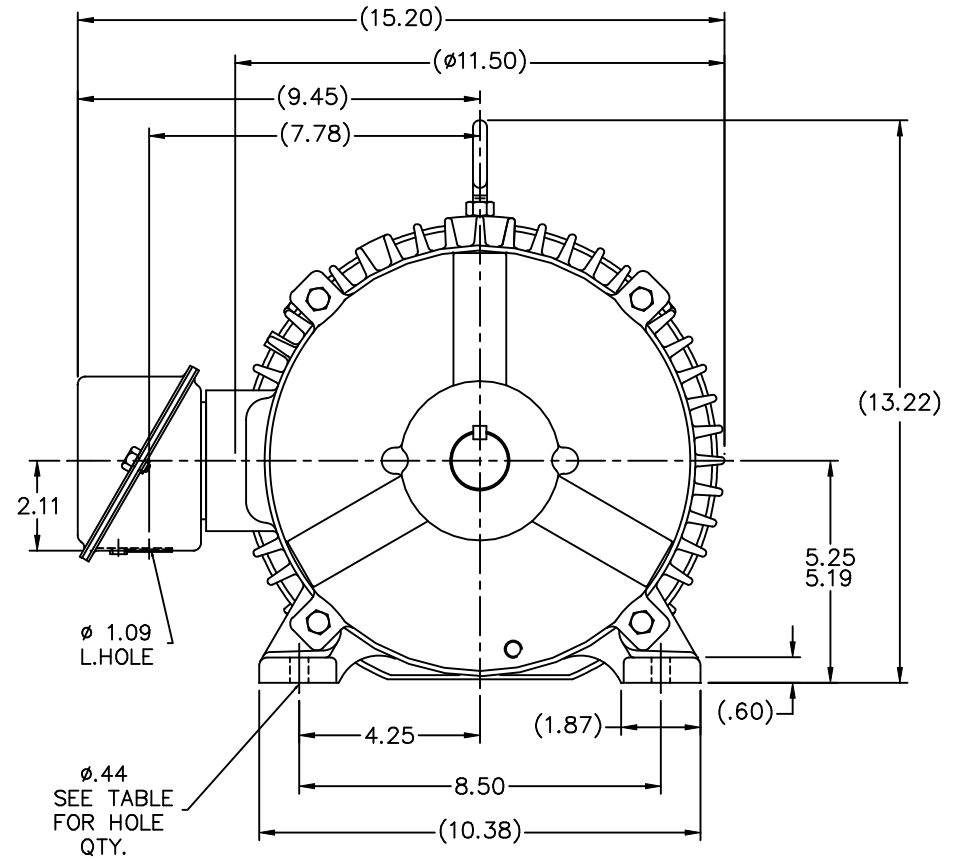
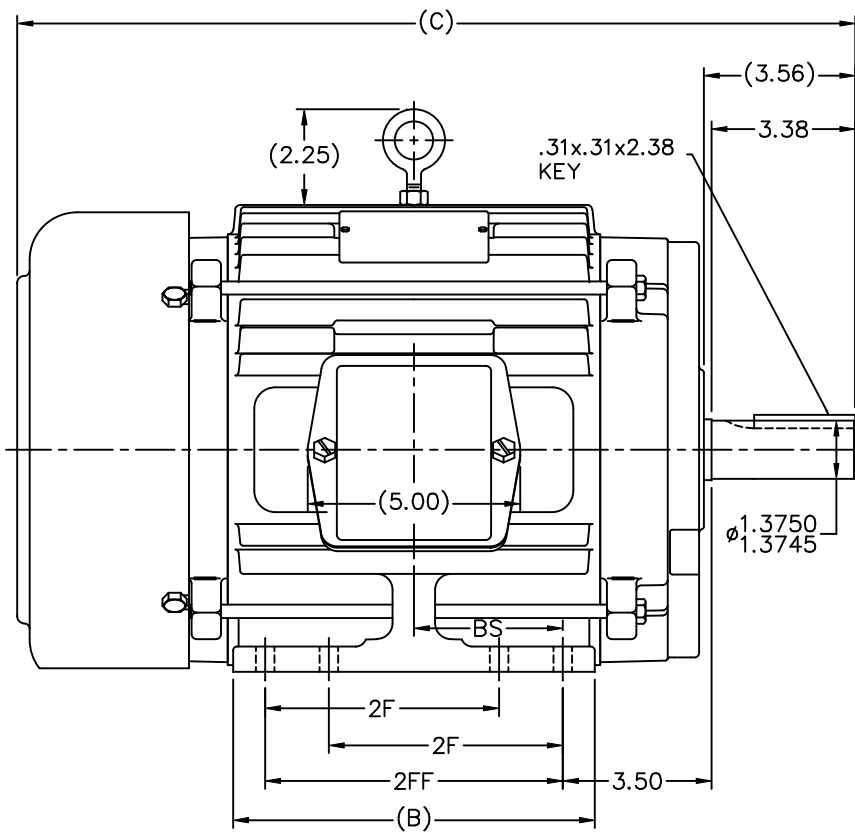


Nameplate Specifications

Output HP	10 HP	Output KW	7.5 kW
Frequency	60 Hz	Voltage	208-230/460 V
Current	27.6-25/12.5 A	Speed	1750 RPM
Service Factor	1.15	Phase	3
Efficiency	89.5 %	Duty	CONTINUOUS
Insulation Class	F	Design Code	B
KVA Code	H	Frame	215T
Enclosure	TEFC	Overload Protector	NOT
Ambient Temperature	40 °C	Drive End Bearing Size	6307
Opp Drive End Bearing Size	6206	UL	Recognized
CSA	Y	CE	Y
IP Code	43		

Technical Specifications

Electrical Type	SQ CAGE IND RUN	Starting Method	ACROSS THE LINE
Poles	4	Rotation	REV
Mounting	RIGID	Motor Orientation	HORIZONTAL
Drive End Bearing	BALL	Opp Drive End Bearing	BALL
Frame Material	CAST IRON	Shaft Type	T
Overall Length	19.7 in	Frame Length	8.75 in
Shaft Diameter	1.38 in	Shaft Extension	3.56 in
Assembly/Box Mounting	F1/F2 CAPABLE		
Outline Drawing	B-SS84278-875	Connection Diagram	A-EE7308



NOTES:

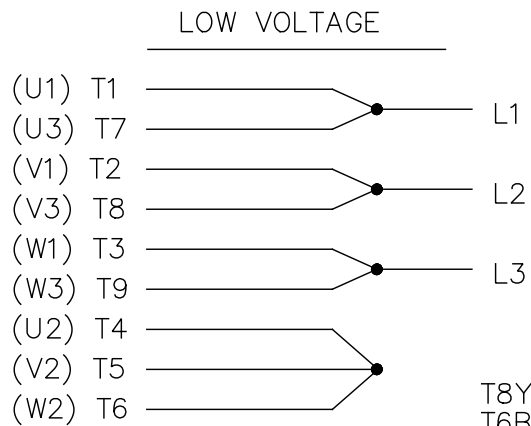
1. CONDUIT BOX CAN BE ROTATED IN 90° STEPS.
2. CONDUIT BOX CAN BE MOUNTED ON OPPOSITE SIDE BY REMOVING BRACKETS AND TURNING FRAME 180°.
3. NAMEPLATE TO BE READ FROM CONDUIT BOX SIDE OF MOTOR

DASH	FRAME	B	C	2F	2FF	BS	FOOT HOLE QTY.	MOUNTING
725	213T	7.00	18.20	-	5.50	2.75	4	F1 OR F2
875	215T	8.50	19.70	-	7.00	3.50	4	F1 OR F2
875	213/5T	8.50	19.70	5.50	7.00	3.50	8	F1 OR F2
1000	213T	9.75	20.95	5.50	8.25	4.12	8	F1 OR F2
1000	215T	9.75	20.95	7.00	8.25	4.12	8	F1 OR F2

				TOLERANCES UNLESS SPECIFIED		MARATHON ELECTRIC		DRAWN SMC 04-07-1993					
NO.	REVISION	BY & DATE	CHK	ANG	DEC.	INCHES	TITLE	CHK	ML				
7	ADDED FOOT HOLE QTY. & MTG. TO TABLE	CN 37322	TAT	01-14-2004	ML	.X ±.1	210T FR. - TEFC - STEEL C' BOX	CHK	ML				
6	UPDATED C' BOX GEOMETRY	CN 28425	DRS	01-27-2000	.XX	±.03		APPD	GK				
5	ADDED DASHES 725 & 1000 WAS 'A' SIZE	CN 27451	MRB	04-13-1999	.XXX	±.005		SCALE	11-32				
4	5.25/5.19 DIM. WAS 5.22/5.22	CN 16763	MRB	05-03-1995	.XXXX	±.0005		REF					
								FMF					
THIS DRAWING IN DESIGN AND DETAIL IS OUR PROPERTY AND MUST NOT BE USED EXCEPT IN CONNECTION WITH OUR WORK ALL RIGHTS OF DESIGN AND INVENTION ARE RESERVED THIS IS AN ELECTRONICALLY GENERATED DOCUMENT - DO NOT SCALE THIS PRINT				ANG	±7'30"	FINISH		PREV					
							CAD FILE	SS84278	SIZE	DRAWING NO.	PAGE	OF	REV.
							DIST	LB	B	SS84278	7		7

EE7308

THREE PHASE
DUAL VOLTAGE MOTOR



VIEW OF TERMINAL END

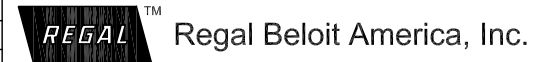
REF.
WINDING DIAGRAM

T8Y, T2Y, T2BL, T4BX, T2EC, T2G
T6BZ, T2B, T6BL, T4AV, T6B, T4B

OPTIONAL CORD
CONNECTION

L1 — WHITE
L2 — RED
L3 — BLACK

NO.	REVISION	BY & DATE	CHK	ANG	TOLERANCES UNLESS SPECIFIED	FINISH	PREV
5	CHG TO REGAL LOGO	SL 09/10/2015	AB	DEC.	INCHES		
4	REVISED IEC NOTATIONS	MSG 11/15/2011	CMN	.X	±.1		
3	ADDED IEC NOTATIONS... (U1), (V1) ETC. MU95194	MSG 5/10/2010	MJS	.XX	±.02		
2	ADDED THE OPTIONAL CORD CONNECTION MU46318	RDH 04/24/2003	DRS	.XXX	±.005		
1	REDRAWN	RM 11/20/1990		.XXXX	±.0005		
					±7'30"		
THIS DRAWING IN DESIGN AND DETAIL IS OUR PROPERTY AND MUST NOT BE USED EXCEPT IN CONNECTION WITH OUR WORK ALL RIGHTS OF DESIGN AND INVENTION ARE RESERVED THIS IS AN ELECTRONICALLY GENERATED DOCUMENT - DO NOT SCALE THIS PRINT						RFP	
						DIST WP	
						CAD FILE ee7308	
						SIZE A	
						DRAWING NO. EE7308	
						PAGE OF 5	
						REV. 5	



TITLE CONNECTION DIAGRAM
3Ø - DUAL VOLTAGE MOTOR

DRAWN RM 11/20/1990
CHK ML 11/21/1990
APPD SAS 04/24/2003
SCALE 1=1
REF
FMF
PREV