

# PRODUCT INFORMATION PACKET

Model No: 215TTDW4043  
Catalog No: E177  
10,1800,DP,215JMV,3/60/200  
JM



Regal and Marathon are trademarks of Regal Beloit Corporation or one of its affiliated companies.  
©2019 Regal Beloit Corporation, All Rights Reserved. MC017097E



### Nameplate Specifications

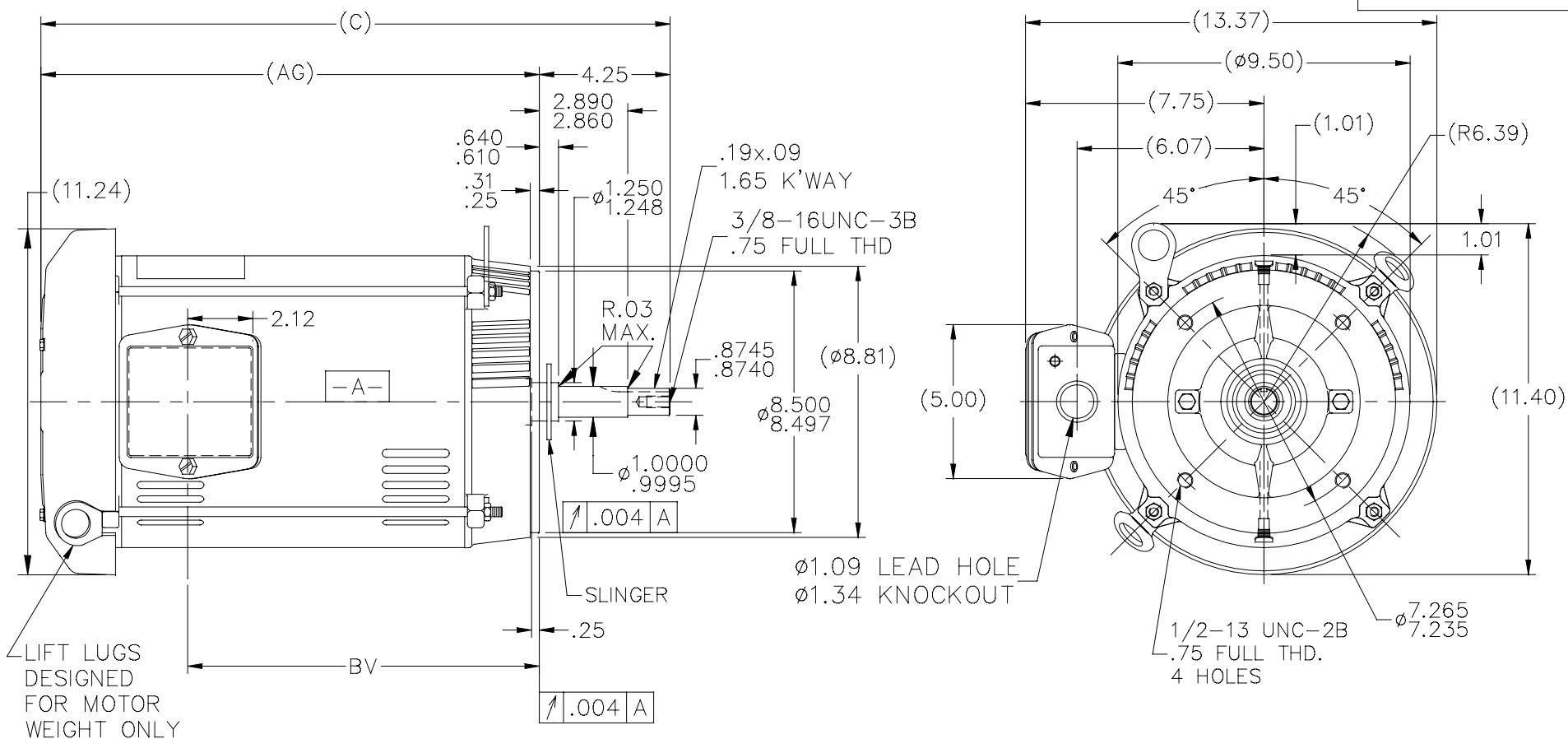
Output HP	<b>10 HP</b>	Output KW	<b>7.5 kW</b>
Frequency	<b>60 Hz</b>	Voltage	<b>200 V</b>
Current	<b>28.8 A</b>	Speed	<b>1750 RPM</b>
Service Factor	<b>1.15</b>	Phase	<b>3</b>
Efficiency	<b>89.5 %</b>	Duty	<b>CONTINUOUS</b>
Insulation Class	<b>B</b>	Design Code	<b>B</b>
KVA Code	<b>G</b>	Frame	<b>215JMV</b>
Enclosure	<b>DP</b>	Overload Protector	<b>NOT</b>
Ambient Temperature	<b>40 °C</b>	Drive End Bearing Size	<b>6309</b>
Opp Drive End Bearing Size	<b>6206</b>	UL	<b>Recognized</b>
CSA	<b>Y</b>	CE	<b>Y</b>
IP Code	<b>22</b>		

### Technical Specifications

Electrical Type	<b>SQ CAGE IND RUN</b>	Starting Method	<b>ACROSS THE LINE</b>
Poles	<b>4</b>	Rotation	<b>REV</b>
Mounting	<b>ROUND</b>	Motor Orientation	<b>SHAFT DOWN</b>
Drive End Bearing	<b>BALL</b>	Opp Drive End Bearing	<b>BALL</b>
Frame Material	<b>ROLLED STEEL</b>	Shaft Type	<b>JM</b>
Overall Length	<b>20.44 in</b>	Frame Length	<b>11.15 in</b>
Shaft Diameter	<b>.88 in</b>	Shaft Extension	<b>4.28 in</b>
Assembly/Box Mounting	<b>F1/F2 CAPABLE</b>		
Outline Drawing	<b>A-SS86596-1115</b>	Connection Diagram	<b>A-EE7300</b>

This is an uncontrolled document once printed or downloaded and is subject to change without notice. Date Created: 09/23/2019

SS86596



DASH	FR.	C	AG	BV
965	213JM	18.94	14.69	9.93
1115	213/15JM	20.44	16.19	11.43
1240	213/15JM	21.69	17.44	12.68

NOTES:

1. NAMEPLATE TO BE READ FROM SHAFT EXT. END OF MOTOR.
2. BOX CAN BE MOUNTED IN 90° STEPS.

NO.	REVISION	BY & DATE	CHK	ANG	±7'30"	TOLERANCES UNLESS SPECIFIED		FINISH	DRAWN DA 03 26 1996
						DEC.	INCHES		
6	TITLE BLOCK LOGO CHANGE PER ECO-0078542	MDV 06/09/2015							CHK ML 04-01-1996
5	UPDATED DRAWING	TJW 04/30/2007							APPD DN 04-01-1996
4	REDRAWN IN AUTOCAD	TAT 07-06-2004	ML	.X	±.1				SCALE 1=5
3	UPDATED DRIP COVER GEOMETRY CN 29200-433	DRS 01-25-2002		.XX	±.03			TITLE OUTLINE - C' FACE	REF
2	UPDATED C' BOX GEOMETRY CN 28425	DRS 01-31-2001		.XXX	±.005			210JM FR. - DR. PR.	FMF
1	NEW DRAWING - DES/DEV	DA 04-02-1996		.XXXX	±.0005			MAT'L.	PREV
			RFP					CAD FILE ss86596	SIZE A
			DIST LB						DRAWING NO. SS86596
									PAGE OF 6
									REV. 6



THIS DRAWING IN DESIGN AND DETAIL IS OUR PROPERTY AND MUST NOT BE USED EXCEPT IN CONNECTION WITH OUR WORK ALL RIGHTS OF DESIGN AND INVENTION ARE RESERVED THIS IS AN ELECTRONICALLY GENERATED DOCUMENT - DO NOT SCALE THIS PRINT

**THREE PHASE - SINGLE VOLTAGE  
MOTOR - CONDUIT BOX @ 'A'**

**TO REVERSE ROTATION:  
INTERCHANGE ANY TWO  
LINE LEAD CONNECTIONS.**

**TERMINAL BLOCK WHEN SPECIFIED**



**VIEW OF TERMINAL END**

**IF MOTOR HAS  
6 LEADS**



**A-9806 DECAL**

**OPTIONAL CORD  
CONNECTION**

- L1 WHITE
- L2 RED
- L3 BLACK

DRAWING REVISION <b>AB</b>	REVISION BY <b>JJB</b>	DATE <b>06-27-2017</b>
ECO <b>ECO-0125361</b>	APPROVED BY <b>TB</b>	DATE <b>06-27-2017</b>
ECO DESCRIPTION <b>UPDATED TO CURRENT STANDARDS</b>		
<small>COPYRIGHT REGAL BELOIT AMERICA, INC. ALL RIGHTS RESERVED.                  PROPRIETARY AND CONFIDENTIAL INFORMATION - THIS DOCUMENT IS THE PROPERTY OF                  REGAL BELOIT AMERICA, INC. ("OWNER") AND CONTAINS OWNER'S PROPRIETARY                  INFORMATION. ANY PERSON, CORPORATION OR OTHER FIRM RECEIVING IT IS DEEMED,                  BY RECEIVING IT, TO AGREE THAT IT, AND/OR ANY PART OF IT, SHALL NOT BE DISCLOSED                  TO ANY PERSON, CORPORATION OR OTHER ENTITY, DUPLICATED, AND/OR USED, EXCEPT                  AS EXPRESSLY APPROVED IN WRITING IN ADVANCE BY OWNER. THIS DOCUMENT SHALL                  BE RETURNED TO OWNER UPON REQUEST. IT MAY BE SUBJECT TO CERTAIN                  RESTRICTIONS UNDER APPLICABLE EXPORT CONTROL LAWS AND REGULATIONS.</small>		



DRAWN BY <b>DA</b>
DATE <b>03-26-1993</b>
APPROVED BY <b>TB</b>
DATE <b>03-26-1993</b>
REFERENCE
THIRD ANGLE PROJECTION

<b>Regal Beloit America, Inc.</b>		
DESCRIPTION <b>CONNECTION DIAGRAM EXTERNAL - SINGLE VOLTAGE - 3Ø MOTOR</b>		
MATERIAL	PROCESS/FINISH	
SIZE <b>A</b>	DRAWING NUMBER <b>EE7300</b>	SHEET <b>1 OF 1</b>