

PRODUCT INFORMATION PACKET

Model No: 213UTFS8026
Catalog No: P324
3,1800,TEFC,213U,3/60/460
Automotive Duty



Regal and Marathon are trademarks of Regal Beloit Corporation or one of its affiliated companies.
©2019 Regal Beloit Corporation, All Rights Reserved. MC017097E

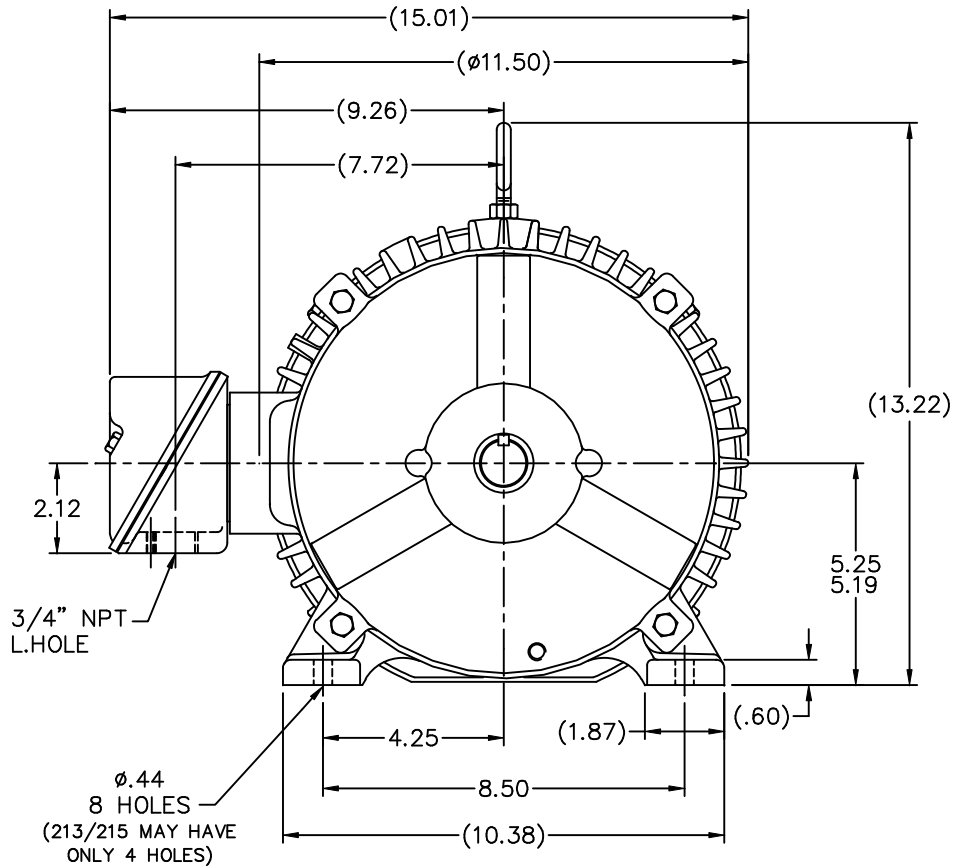
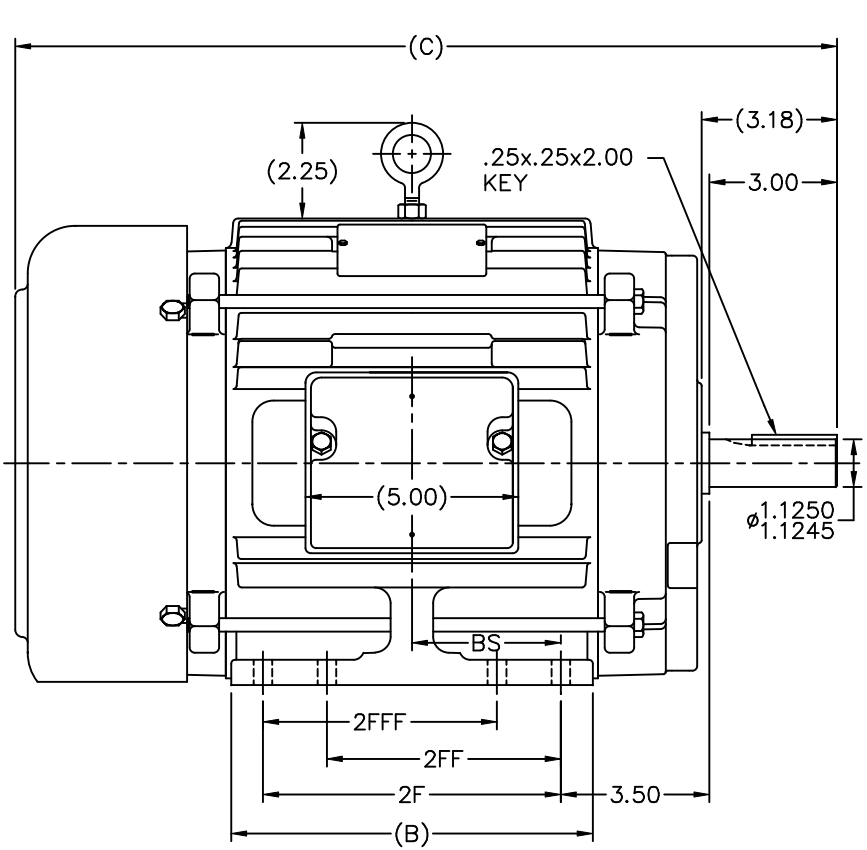


Nameplate Specifications

Output HP	3 HP	Output KW	2.24 kW
Frequency	60 Hz	Voltage	460 V
Current	4 A	Speed	1760 RPM
Service Factor	1	Phase	3
Efficiency	87.5 %	Duty	CONTINUOUS
Insulation Class	F	Design Code	B
KVA Code	K	Frame	213U
Enclosure	TEFC	Overload Protector	NOT
Ambient Temperature	65 °C	Drive End Bearing Size	6307
Opp Drive End Bearing Size	6206	UL	Recognized
CSA	Y	CE	Y
IP Code	43		

Technical Specifications

Electrical Type	SQ CAGE IND RUN	Starting Method	ACROSS THE LINE
Poles	4	Rotation	REV
Mounting	RIGID	Motor Orientation	HORIZONTAL
Drive End Bearing	BALL	Opp Drive End Bearing	BALL
Frame Material	CAST IRON	Shaft Type	U
Overall Length	17.82 in	Frame Length	7.25 in
Shaft Diameter	1.13 in	Shaft Extension	3.18 in
Assembly/Box Mounting	F1/F2 CAPABLE		
Outline Drawing	B-SS88189-725	Connection Diagram	A-EE7300



- NOTES:
 1. CONDUIT BOX CAN BE ROTATED IN 90° STEPS.
 2. CONDUIT BOX CAN BE MOUNTED ON OPPOSITE SIDE BY REMOVING BRACKETS AND TURNING FRAME 180°.
 3. NAMEPLATE TO BE READ FROM CONDUIT BOX SIDE OF MOTOR

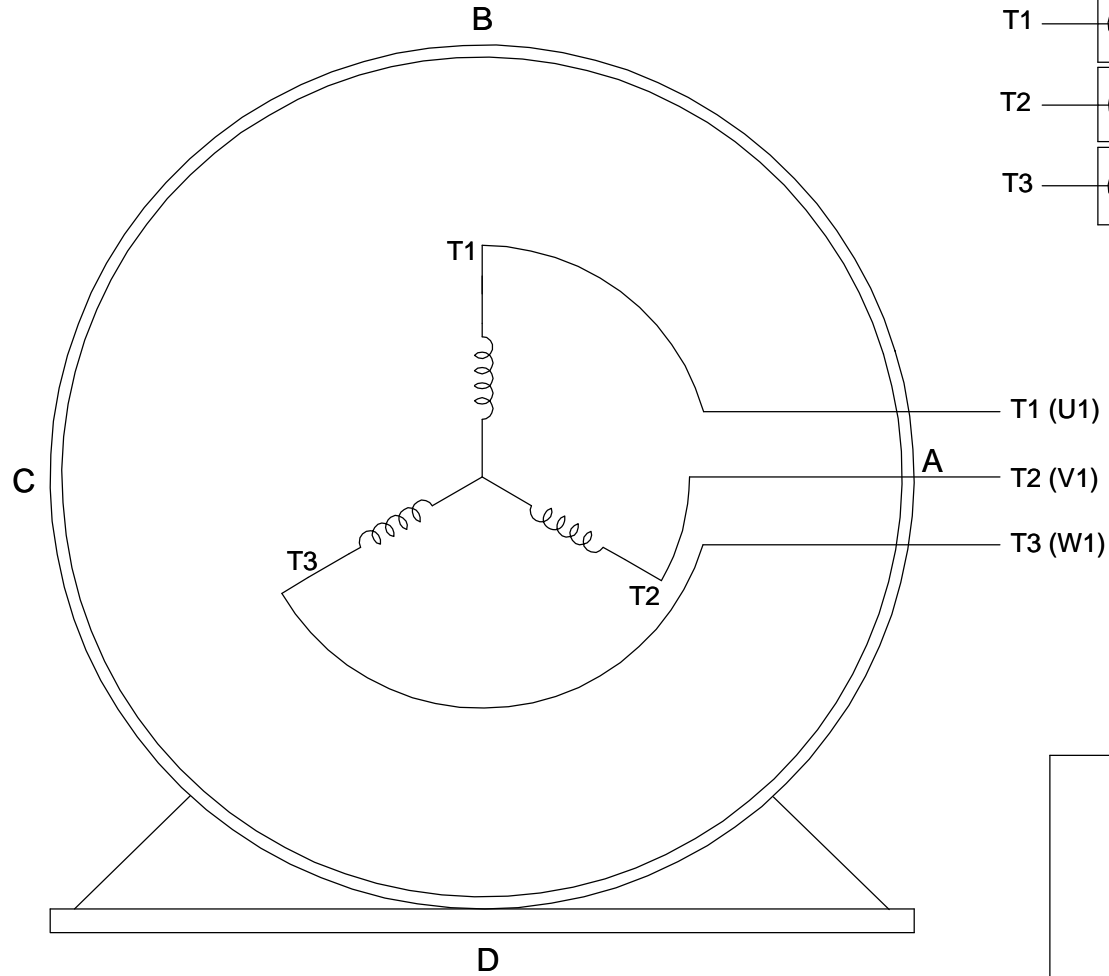
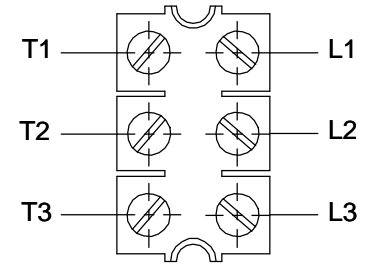
DASH	FRAME	B	C	2F	2FF	2FFF	BS
725	213U	7.00	17.82	5.50	-	-	2.75
875	215U	8.50	19.32	7.00	-	-	3.50
875	213/5U	8.50	19.32	7.00	5.50	5.50	3.50
1000	213U	9.75	20.57	8.25	5.50	5.50	4.12
1000	215U	9.75	20.57	8.25	7.00	7.00	4.12

		TOLERANCES UNLESS SPECIFIED				DRAWN DAH 05-08-2001	
		DEC. INCHES				CHK ML 05-08-2001	
		.X ±.1		TITLE OUTLINE		APPD DR 05-08-2001	
2 REDRAWN IN AUTOCAD		TAT 05-19-2005 ML		210U FR. - TEFC - STEEL C' BOX		SCALE 11-32	
1 NEW DRAWING MU36629		DAH 05-08-2001		MAT'L		REF	
NO. REVISION		BY & DATE		FINISH		FMF	
THIS DRAWING IN DESIGN AND DETAIL IS OUR PROPERTY AND MUST NOT BE USED EXCEPT IN CONNECTION WITH OUR WORK ALL RIGHTS OF DESIGN AND INVENTION ARE RESERVED THIS IS AN ELECTRONICALLY GENERATED DOCUMENT - DO NOT SCALE THIS PRINT		CHK ANG ±7°30'		CAD FILE ss88189		PREV	
		RFP		SIZE		DRAWING NO. PAGE OF REV.	
		DIST LB		B		SS88189 2	

**THREE PHASE - SINGLE VOLTAGE
MOTOR - CONDUIT BOX @ 'A'**

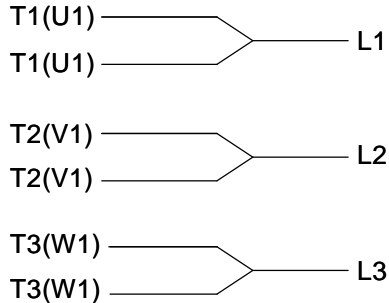
**TO REVERSE ROTATION:
INTERCHANGE ANY TWO
LINE LEAD CONNECTIONS.**

TERMINAL BLOCK WHEN SPECIFIED



VIEW OF TERMINAL END

**IF MOTOR HAS
6 LEADS**



A-9806 DECAL

**OPTIONAL CORD
CONNECTION**

- L1 _____ WHITE _____
- L2 _____ RED _____
- L3 _____ BLACK _____

DRAWING REVISION AB	REVISION BY JJB	DATE 06-27-2017
ECO ECO-0125361	APPROVED BY TB	DATE 06-27-2017
ECO DESCRIPTION UPDATED TO CURRENT STANDARDS		
<small>COPYRIGHT REGAL BELOIT AMERICA, INC. ALL RIGHTS RESERVED. PROPRIETARY AND CONFIDENTIAL INFORMATION - THIS DOCUMENT IS THE PROPERTY OF REGAL BELOIT AMERICA, INC. ("OWNER") AND CONTAINS OWNER'S PROPRIETARY INFORMATION. ANY PERSON, CORPORATION OR OTHER FIRM RECEIVING IT IS DEEMED, BY RECEIVING IT, TO AGREE THAT IT, AND/OR ANY PART OF IT, SHALL NOT BE DISCLOSED TO ANY PERSON, CORPORATION OR OTHER ENTITY, DUPLICATED, AND/OR USED, EXCEPT AS EXPRESSLY APPROVED IN WRITING IN ADVANCE BY OWNER. THIS DOCUMENT SHALL BE RETURNED TO OWNER UPON REQUEST. IT MAY BE SUBJECT TO CERTAIN RESTRICTIONS UNDER APPLICABLE EXPORT CONTROL LAWS AND REGULATIONS.</small>		



DRAWN BY DA
DATE 03-26-1993
APPROVED BY TB
DATE 03-26-1993
REFERENCE
THIRD ANGLE PROJECTION

Regal Beloit America, Inc.		
		DESCRIPTION CONNECTION DIAGRAM EXTERNAL - SINGLE VOLTAGE - 3Ø MOTOR
MATERIAL	PROCESS/FINISH	
SIZE A	DRAWING NUMBER EE7300	SHEET 1 OF 1