

PRODUCT INFORMATION PACKET

Model No: 213TTWR4027

Catalog No: N318

OBSOLETE - USE 213TTWR6027 - 7 1/2, 1800, TEFC, 213T, 3/60/203/460

Washdown Duty



Regal and Marathon are trademarks of Regal Beloit Corporation or one of its affiliated companies.

©2019 Regal Beloit Corporation, All Rights Reserved. MC017097E

Nameplate Specifications

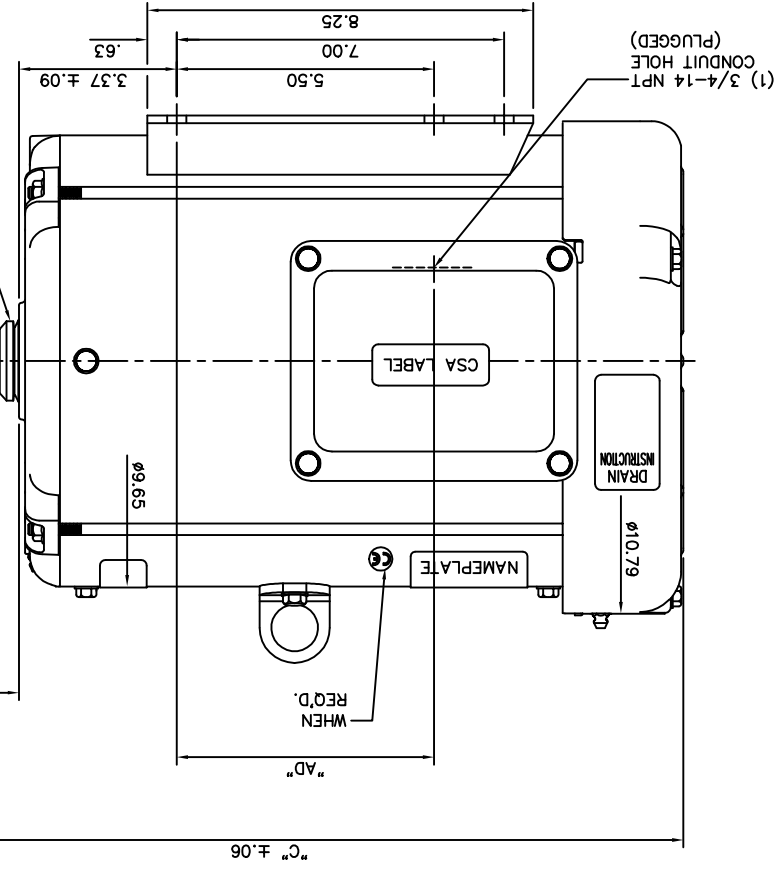
Output HP	7.5 HP	Output KW	5.60 kW
Frequency	60 Hz	Voltage	230/460 V
Current	22/11 A	Speed	1760 RPM
Service Factor	1.15	Phase	3
Efficiency	89.5 %	Duty	CONTINUOUS
Insulation Class	F	Design Code	B
KVA Code	H	Frame	213T
Enclosure	TEFC	Overload Protector	NOT
Ambient Temperature	40 °C	Drive End Bearing Size	6209
Opp Drive End Bearing Size	6206	UL	Recognized
CSA	Y	CE	Y
IP Code	55		

Technical Specifications

Electrical Type	SQ CAGE IND RUN	Starting Method	ACROSS THE LINE
Poles	4	Rotation	REV
Mounting	RIGID	Motor Orientation	HORIZONTAL
Drive End Bearing	BALL	Opp Drive End Bearing	BALL
Frame Material	ROLLED STEEL	Shaft Type	T
Overall Length	17.21 in	Frame Length	10.5 in
Shaft Diameter	1.38 in	Shaft Extension	3.38 in
Assembly/Box Mounting	F1 ONLY		
Outline Drawing	037641-1050	Connection Diagram	005010.01ME

- 1) BUNA-N GASKETS THROUGHOUT
- 2) SHAFT SEALS - BOTH ENDS OF MOTOR
- 3) V-RING AT SHAFT END OF MOTOR
- 4) STAINLESS STEEL SHAFT, NAMEPLATE & HARDWARE
- 5) FDA APPROVED EPOXY PAINT
- 6) PLUGGED DRAIN HOLES IN FRAME
- 7) DRAIN HOLES IN CONDUIT BOX, AT 3:00 & 12:00
- 8) DRAIN HOLES IN BOTH ENDBELLS AT 6:00

WASHGUARD DUTY MOTOR
SPECIAL FEATURES:



DASH NO.	"C"	"AD"
1400	20.71	8.50
1350	20.21	8.00
1300	19.71	7.50
1250	19.21	7.00
1200	18.71	6.50
1150	18.21	6.00
1100	17.71	5.50
1050	17.21	5.00

NO.	REVISION	BY & DATE	CHK	ANG	RFP	DIST

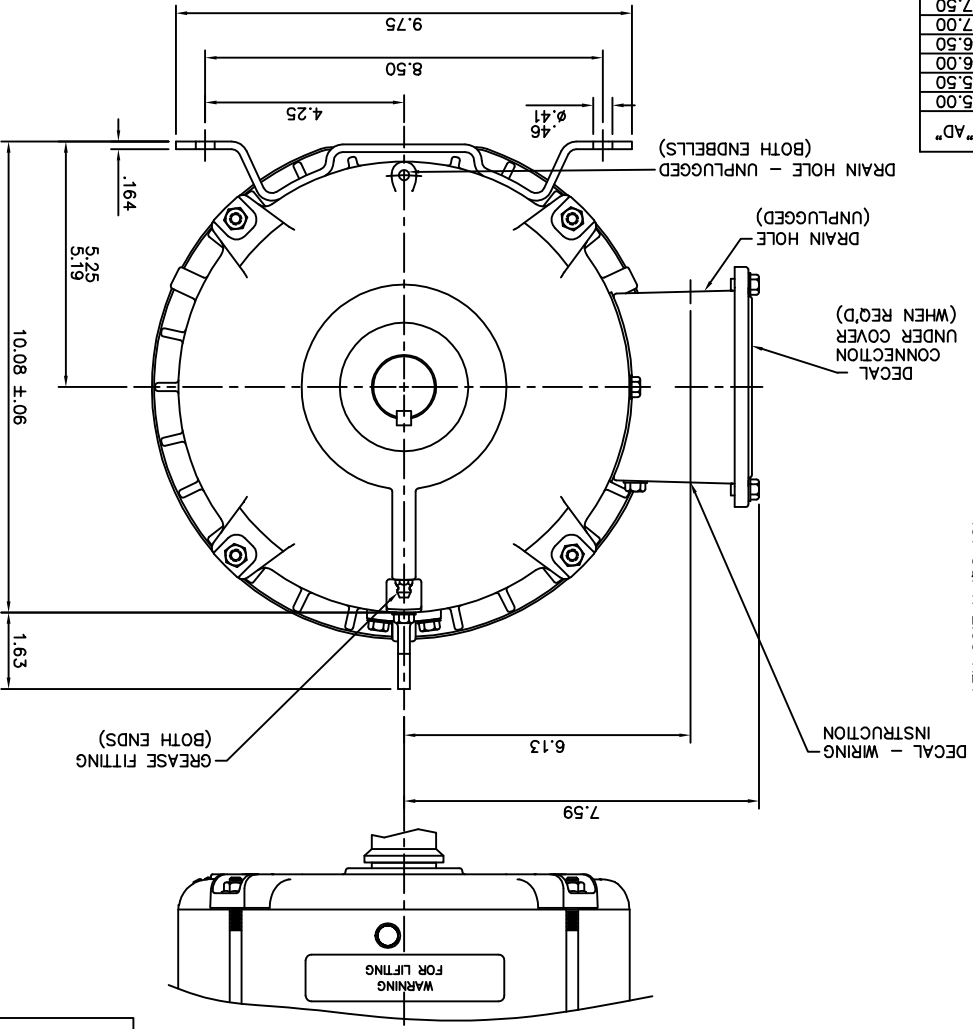
THIS DRAWING IN DESIGN AND DETAIL IS OUR PROPERTY AND MUST NOT BE USED EXCEPT IN CONNECTION WITH OUR WORK. ALL RIGHTS OF DESIGN AND INVENTION ARE RESERVED. THIS IS AN ELECTRONICALLY GENERATED DOCUMENT - DO NOT SCALE THIS PRINT.

UNITS SPECIFIED	DEC.	INCHES
	X	±.1
	.XX	±.03
	.XXX	±.005
	.XXXX	±.0005

TITLE	MATL.	FINISH	CAD FILE
OUTLINE - 210T FRAME TEFC - RIGID			037641
WASHGUARD			

SCALE	REF	FMP	PREV
3=8			

APPD	CHK	DRAWN	LST	DWG NO.	REV.
			8/6/08	037641	B



037641

VIEW FROM OUTSIDE OF MOTOR AT SWITCH END.



VOLTAGE	L1	L2	L3	JOIN & INSULATE
HIGH	T1	T2	T3	(T4,T7) (T5,T8) (T6,T9)
LOW	T1,T7	T2,T8	T3,T9	T4,T5,T6

		TOLERANCES UNLESS SPECIFIED		DRAWN RDW 04/12/02					
		DEC.	INCHES	CHK					
		.X	±.1	APPD					
		.XX	±.01	SCALE 1=1					
		.XXX	±.005	REF FIG.2-51					
		.XXXX	±.0005	FMF					
NO.	REVISION	BY & DATE	CHK	ANG	±1/2'	FINISH	MARATHON ELECTRIC		PREV
						TITLE	EXTERNAL WIRING DIAGRAM 3 PHASE W/O PROTECTOR		
						MAT'L.	DECAL - 004014		
			RFP	04/12/02		CAD FILE	00501001ME	SIZE	DRAWING NO.
			DIST					A	005010-01ME
THIS DRAWING IN DESIGN AND DETAIL IS OUR PROPERTY AND MUST NOT BE USED EXCEPT IN CONNECTION WITH OUR WORK ALL RIGHTS OF DESIGN AND INVENTION ARE RESERVED THIS IS AN ELECTRONICALLY GENERATED DOCUMENT - DO NOT SCALE THIS PRINT									