

PRODUCT INFORMATION PACKET

Model No: 213TTWR4026

Catalog No: N618

OBSOLETE - USE 213TTWR6026 - 7 1/2, 1800,TEFC,213TC,3/60/208-230/460

Other Purpose



Regal and Marathon are trademarks of Regal Beloit Corporation or one of its affiliated companies.

©2019 Regal Beloit Corporation, All Rights Reserved. MC017097E



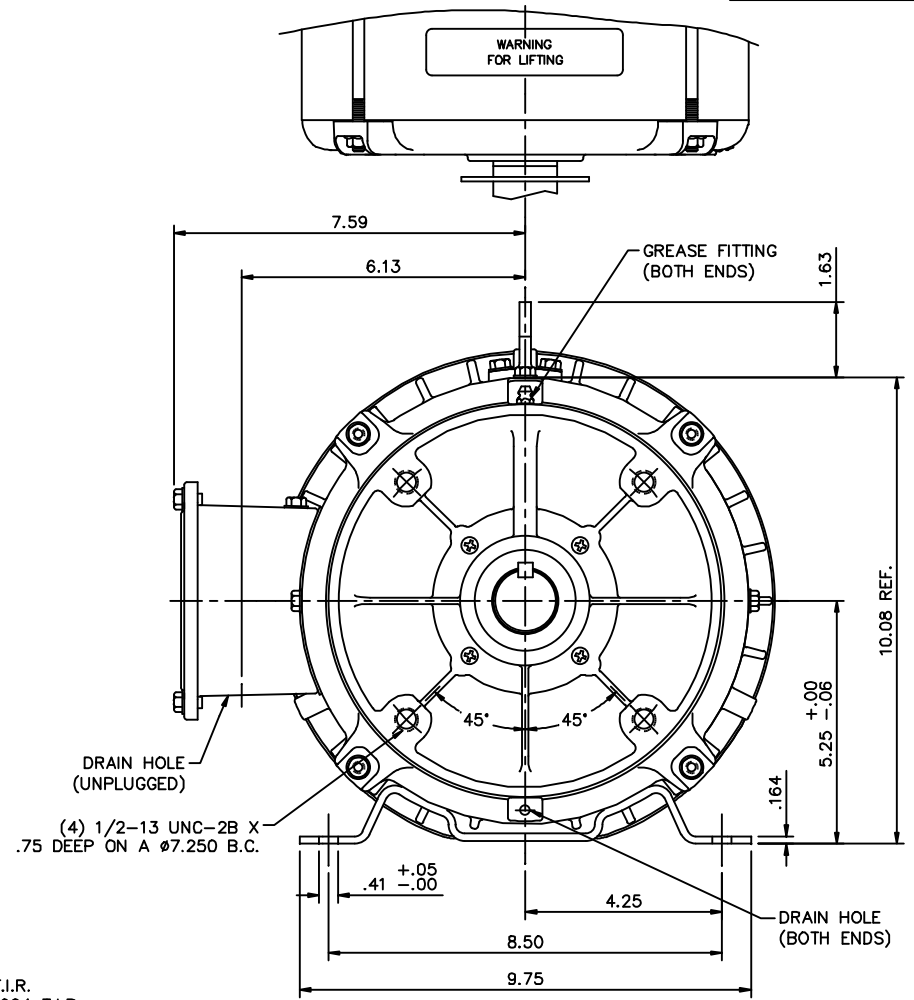
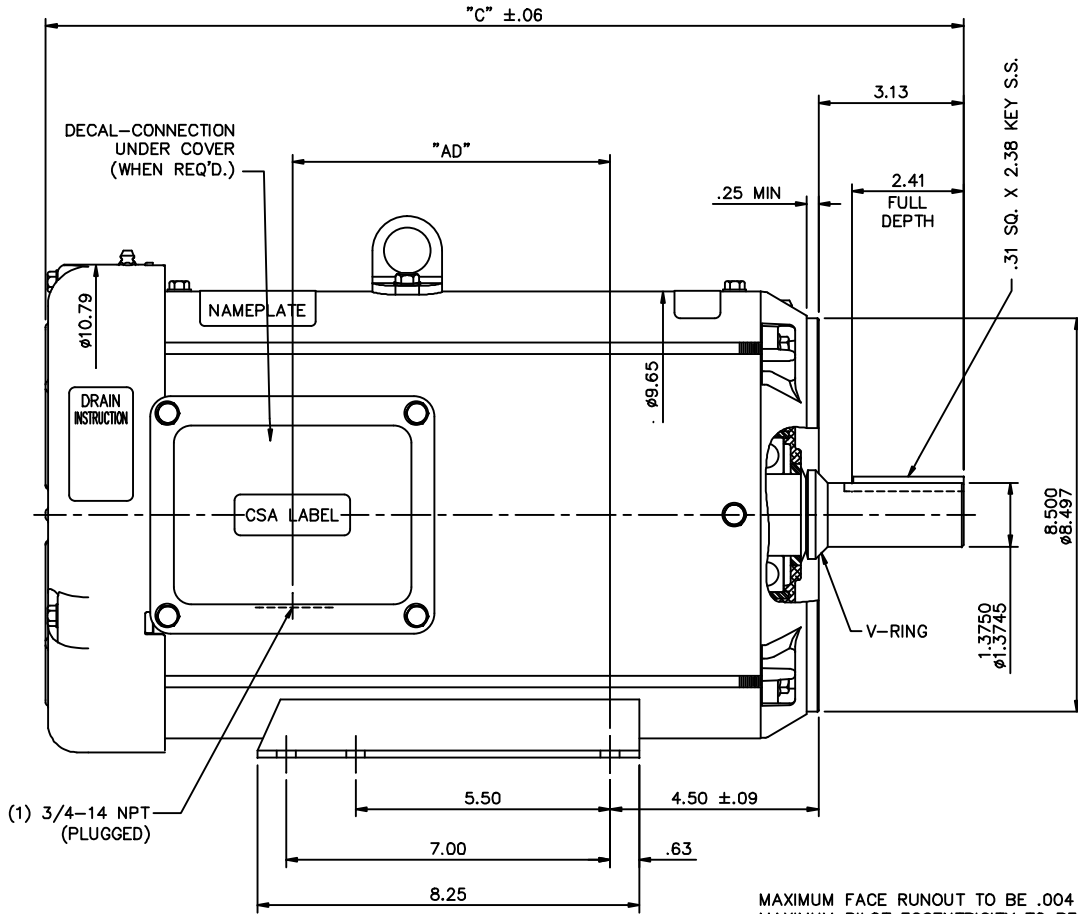


Nameplate Specifications

Output HP	7.5 HP	Output KW	5.6 kW
Frequency	60 Hz	Voltage	208-230/460 V
Current	24-22/11 A	Speed	1760 RPM
Service Factor	1.15	Phase	3
Efficiency	89.5 %	Duty	CONTINUOUS
Insulation Class	F	Design Code	B
KVA Code	H	Frame	213TC
Enclosure	TEFC	Overload Protector	NOT
Ambient Temperature	40 °C	Drive End Bearing Size	6209
Opp Drive End Bearing Size	6206	UL	Recognized
CSA	Y	CE	Y
IP Code	55		

Technical Specifications

Electrical Type	SQ CAGE IND RUN	Starting Method	ACROSS THE LINE
Poles	4	Rotation	REV
Mounting	RIGID	Motor Orientation	HORIZONTAL
Drive End Bearing	BALL	Opp Drive End Bearing	BALL
Frame Material	ROLLED STEEL	Shaft Type	T
Overall Length	18.21 in	Frame Length	10.5 in
Shaft Diameter	1.38 in	Shaft Extension	3.38 in
Assembly/Box Mounting	F1/F2 CAPABLE		
Outline Drawing	037639ME-1050	Connection Diagram	005010.01ME



MAXIMUM FACE RUNOUT TO BE .004 T.I.R.
 MAXIMUM PILOT ECCENTRICITY TO BE .004 T.I.R.
 PERMISSIBLE SHAFT RUNOUT TO BE .002 T.I.R.

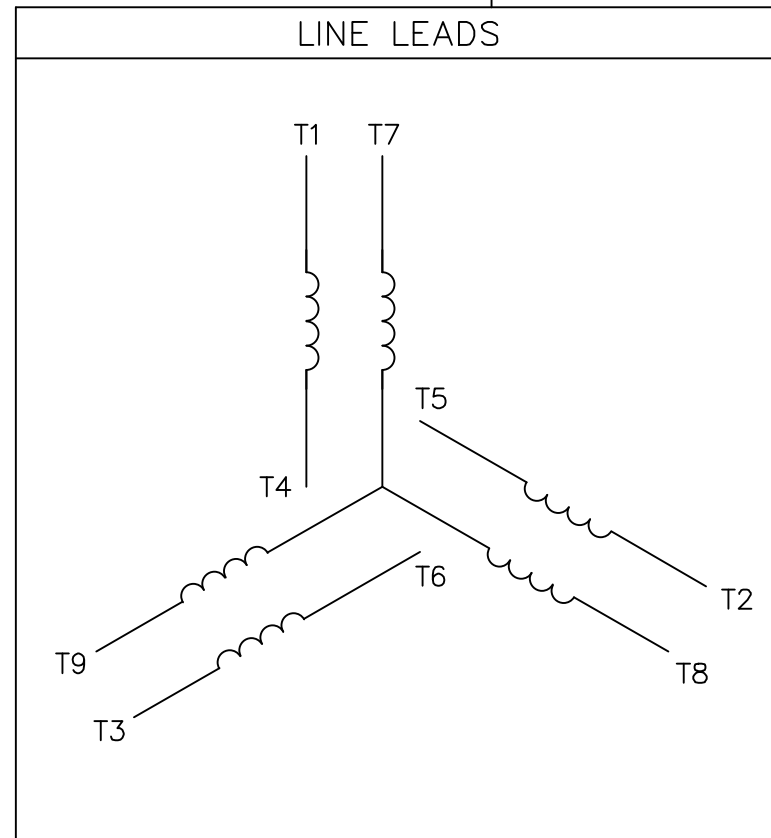
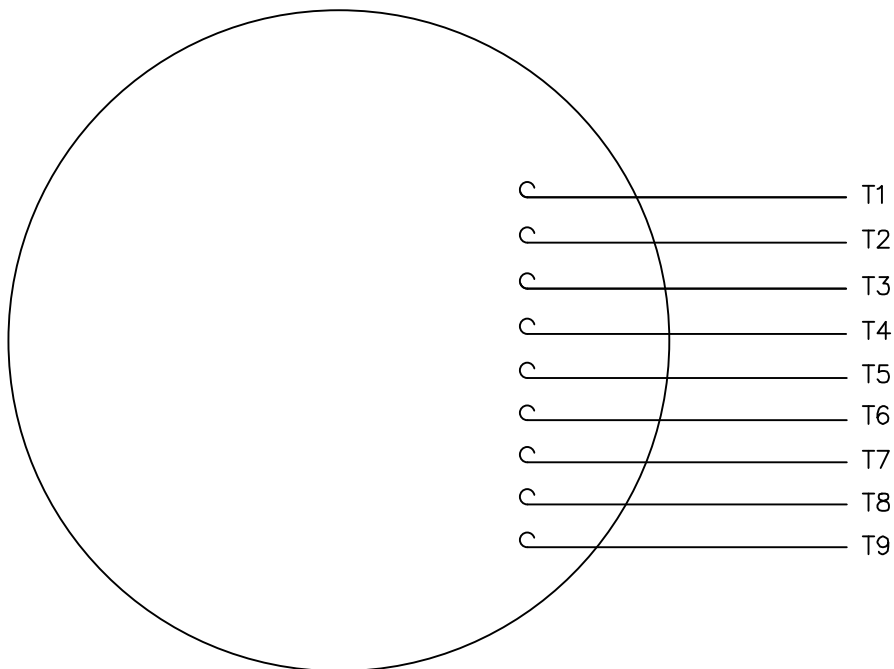
SPECIAL FEATURES:

- BUNA-N GASKETS THROUGHOUT
- SHAFT SEALS - BOTH ENDS OF MOTOR
- V-RING AT SHAFT END OF MOTOR
- STAINLESS STEEL SHAFT, NAMEPLATE & HARDWARE

DASH NO.	"C"	"AD"
1100	17.71	4.75
1150	18.21	5.25
1200	18.71	5.75
1250	19.21	6.25
1300	19.71	6.75
1350	20.21	7.25

		TOLERANCES UNLESS SPECIFIED		MARATHON ELECTRIC		DRAWN			
		DEC.	INCHES			LST 6/25/08			
		.X	±.1			CHK			
		.XX	±.03			APPD			
02	ADDED WASH GUARD LABEL	SD	04/09/2011	.XXX	±.005	SCALE 3-B			
01	ADD BASE PER CUSTOMER	LST	9/4/2008	.XXXX	±.0005	REF 037638			
NO.	REVISION	BY & DATE	CHK	ANG	±1/2'	FINISH			
THIS DRAWING IN DESIGN AND DETAIL IS OUR PROPERTY AND MUST NOT BE USED EXCEPT IN CONNECTION WITH OUR WORK ALL RIGHTS OF DESIGN AND INVENTION ARE RESERVED THIS IS AN ELECTRONICALLY GENERATED DOCUMENT - DO NOT SCALE THIS PRINT				RFP	CAD FILE	037639ME	SIZE	DRAWING NO.	REV.
				DIST			B	037639	02

VIEW FROM OUTSIDE OF MOTOR AT SWITCH END.



VOLTAGE	L1	L2	L3	JOIN & INSULATE
HIGH	T1	T2	T3	(T4,T7) (T5,T8) (T6,T9)
LOW	T1,T7	T2,T8	T3,T9	T4,T5,T6

		TOLERANCES UNLESS SPECIFIED		MARATHON ELECTRIC		DRAWN RDW 04/12/02	
		DEC.	INCHES			CHK	
		.X	±.1			APPD	
		.XX	±.01	TITLE		SCALE 1=1	
		.XXX	±.005	EXTERNAL WIRING DIAGRAM 3 PHASE W/O PROTECTOR		REF FIG.2-51	
		.XXXX	±.0005	MAT'L.		FMF	
				DECAL - 004014		PREV	
NO.	REVISION	BY & DATE	CHK	ANG	±1/2'	FINISH	
			RFP	04/12/02		CAD FILE	00501001ME
			DIST			SIZE	A
						DRAWING NO.	005010-01ME
						REV.	

THIS DRAWING IN DESIGN AND DETAIL IS OUR PROPERTY AND MUST NOT BE USED EXCEPT IN CONNECTION WITH OUR WORK ALL RIGHTS OF DESIGN AND INVENTION ARE RESERVED THIS IS AN ELECTRONICALLY GENERATED DOCUMENT - DO NOT SCALE THIS PRINT

CERTIFICATION DATA SHEET

Model#: 213TTWR4026 AA **WINDING#:** T9490 FR 3
CONN. DIAGRAM: 005010.01ME **ASSEMBLY:** F1/F2 CAPABLE
OUTLINE: 037639ME-1050

TYPICAL MOTOR PERFORMANCE DATA

HP	KW	SYNC. RPM	F.L. RPM	FRAME	ENCLOSURE	KVA CODE	DESIGN
7 1/2&5	5.60&3.70	1800	1760&1450	213TC	TEFC	H	B

PH	Hz	VOLTS	FL AMPS	START TYPE	DUTY	INSL	S.F	AMB°C	ELEVATION
3	60/50	208-230/460#190/380	24-22/11&18/9	ACROSS THE LINE	CONTINUOUS	F4	1.15/1.15	40	3300

FULL LOAD EFF: 89.5	3/4 LOAD EFF: 87.7	1/2 LOAD EFF: 86.4	GTD. EFF	ELEC. TYPE	NO LOAD AMPS
			0	SQ CAGE IND RUN	8.8 / 4.4

F.L. TORQUE	LOCKED ROTOR AMPS	L.R. TORQUE	B.D. TORQUE	F.L. RISE°C
22.5 LB-FT	140 / 70	51.5 LB-FT 229	72 LB-FT 320	55

SOUND PRESSURE @ 3 FT.	SOUND POWER	ROTOR WK^2	MAX. WK^2	SAFE STALL TIME	STARTS /HOUR	APPROX. MOTOR WGT
60 dBA	70 dBA	0.801 LB-FT^2	0.8 LB-FT^2	0 SEC.	0	0 LBS.

***** SUPPLEMENTAL INFORMATION *****

DE BRACKET TYPE	ODE BRACKET TYPE	MOUNT TYPE	ORIENTATION	SEVERE DUTY	HAZARDOUS LOCATION	DRIP COVER	SCREENS	PAINT
C-FACE	STANDARD	RIGID	HORIZONTAL	FALSE	NONE	FALSE	NONE	WHITE - LEESON (EPOXY)

BEARINGS		GREASE	SHAFT TYPE	SPECIAL DE	SPECIAL ODE	SHAFT MATERIAL	FRAME MATERIAL
DE	OPE						
BALL	BALL	POLYREX EM	T	NONE	NONE	303 STAINLESS (C-501)	ROLLED STEEL
6209	6206						

THERMO-PROTECTORS				THERMISTORS	CONTROL	SPACE /n HEATERS
THERMOSTATS	PROTECTORS	WDG RTDs	BRG RTDs			
NONE	NOT	NONE	NONE	NONE	FALSE	NONE VOLTS

If Inverter equals NONE, contact factory for further information

INVERTER TORQUE: NONE
INV. HP SPEED RANGE: NONE
ENCODER: NONE
NONE NONE
NONE NONE PPR
BRAKE: NONE NONE
NONE P/N NONE
NONE NONE
NONE FT-LB NONE V NONE Hz

*
N
O
T
E
S
*

DATE: 06/22/2017 06:52:35 AM
 FORM 3531 REV.3 02/07/99

** Subject to change without notice.

Data Sheet

Date: 12/13/2018

213TTWR4026

Customer: _____
Attention: _____



Submitted

Submitted by: FAREEDA DUDEKULA

Data @ 460 V

Motor Load Data

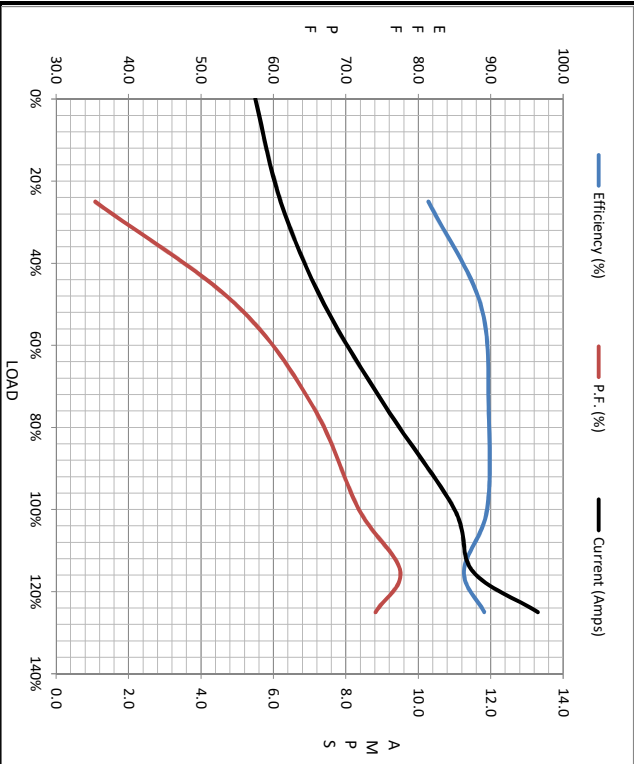
Load	0%	25%	50%	75%	100%	115%	125%	LR
Current (Amps)	5.5	6.2	7.4	9.1	11.0	11.5	13.3	57.0
Torque (ft-lb)	0.00	5.6	11.3	16.9	22.5	24.5	28.1	48.2
RPM	1800	1791	1783	1774	1765	1,760	1754	0
Efficiency (%)		81.4	88.6	89.7	89.5	86.3	89.1	
P.F. (%)	6.8	35.4	54.8	65.5	71.8	77.5	74.1	0.0

Motor Speed Data

	LR	Pull-Up	BD	Rated	Idle
Speed (RPM)	0	700	1600	1765	1800
Current (Amps)	57.0	52.0	33.0	11.0	5.5
Torque (ft-lb)	48.2	44.0	57.0	22.5	0.00

Information Block

HP	7.5			
Sync. RPM	1800			
Frame	213			
Enclosure	TEFC			
Construction	TFR			
Voltage	208-230/460#190/380 V			
Frequency	60 Hz			
Design	B			
LR Code letter	H			
Service Factor	1.15			
Temp Rise @ FL	60 °C			
Duty	CONT			
Ambient	40 °C			
Elevation	1,000 feet			
Rotor/Shaft wk ²	0.80 Lb-Ft ²			
Ret Wdg	T9490 FR			
Sound Pressure @ 1M	60 dBA			
VFD Rating	NONE			
Outline Dwg	037639ME-1050			
Conn. Diag	005010.01ME			
Additional Specifications:				
0				
0				
R1	R2	X1	X2	Xm
0.0000	0.0000	0.0000	0.0000	0.0000



Speed - Torque Curve

