

# PRODUCT INFORMATION PACKET

Model No: 213TTFC4026  
Catalog No: U629  
7 1/2,1800,TEFC,213T,3/60/230/460  
Other Purpose



Regal and Marathon are trademarks of Regal Beloit Corporation or one of its affiliated companies.  
©2019 Regal Beloit Corporation, All Rights Reserved. MC017097E

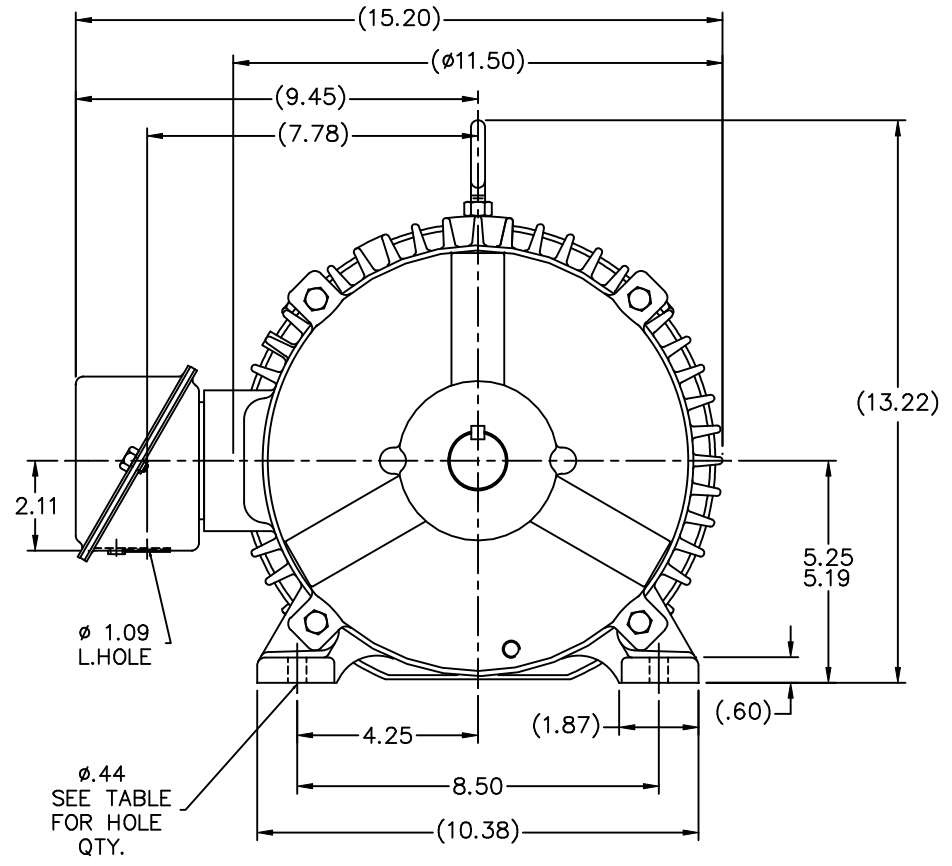
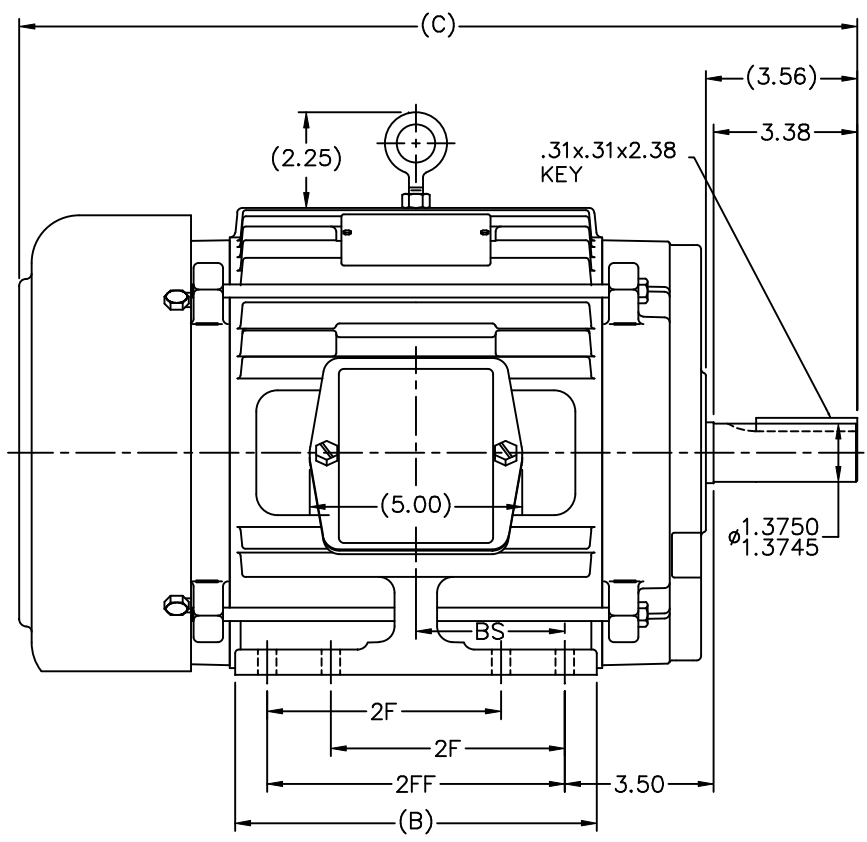


### Nameplate Specifications

|                            |                      |                        |                      |
|----------------------------|----------------------|------------------------|----------------------|
| Output HP                  | <b>7.5 HP</b>        | Output KW              | <b>5.6 kW</b>        |
| Frequency                  | <b>60 Hz</b>         | Voltage                | <b>208-230/460 V</b> |
| Current                    | <b>21-19.6/9.8 A</b> | Speed                  | <b>1760 RPM</b>      |
| Service Factor             | <b>1.15</b>          | Phase                  | <b>3</b>             |
| Efficiency                 | <b>89.5 %</b>        | Duty                   | <b>CONTINUOUS</b>    |
| Insulation Class           | <b>F</b>             | Design Code            | <b>B</b>             |
| KVA Code                   | <b>H</b>             | Frame                  | <b>213T</b>          |
| Enclosure                  | <b>TEFC</b>          | Overload Protector     | <b>NOT</b>           |
| Ambient Temperature        | <b>40 °C</b>         | Drive End Bearing Size | <b>6307</b>          |
| Opp Drive End Bearing Size | <b>6206</b>          | UL                     | <b>Recognized</b>    |
| CSA                        | <b>Y</b>             | CE                     | <b>Y</b>             |
| IP Code                    | <b>43</b>            |                        |                      |

### Technical Specifications

|                       |                        |                       |                        |
|-----------------------|------------------------|-----------------------|------------------------|
| Electrical Type       | <b>SQ CAGE IND RUN</b> | Starting Method       | <b>ACROSS THE LINE</b> |
| Poles                 | <b>4</b>               | Rotation              | <b>REV</b>             |
| Mounting              | <b>RIGID</b>           | Motor Orientation     | <b>HORIZONTAL</b>      |
| Drive End Bearing     | <b>BALL</b>            | Opp Drive End Bearing | <b>BALL</b>            |
| Frame Material        | <b>CAST IRON</b>       | Shaft Type            | <b>T</b>               |
| Overall Length        | <b>18.2 in</b>         | Frame Length          | <b>7.25 in</b>         |
| Shaft Diameter        | <b>1.38 in</b>         | Shaft Extension       | <b>3.56 in</b>         |
| Assembly/Box Mounting | <b>F1/F2 CAPABLE</b>   |                       |                        |
| Outline Drawing       | <b>B-SS84278-725</b>   | Connection Diagram    | <b>A-EE7308</b>        |



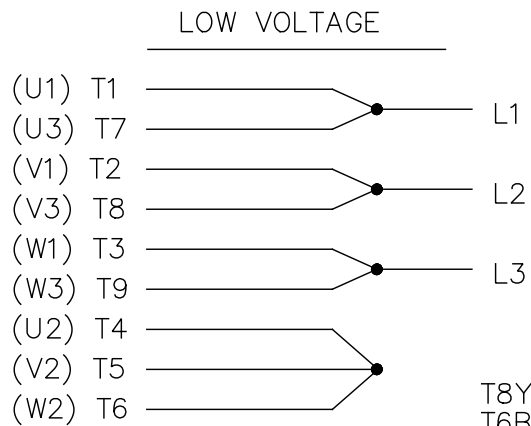
- NOTES:  
 1. CONDUIT BOX CAN BE ROTATED IN 90° STEPS.  
 2. CONDUIT BOX CAN BE MOUNTED ON OPPOSITE SIDE BY REMOVING BRACKETS AND TURNING FRAME 180°.  
 3. NAMEPLATE TO BE READ FROM CONDUIT BOX SIDE OF MOTOR

| DASH | FRAME  | B    | C     | 2F   | 2FF  | BS   | FOOT HOLE QTY. | MOUNTING |
|------|--------|------|-------|------|------|------|----------------|----------|
| 725  | 213T   | 7.00 | 18.20 | -    | 5.50 | 2.75 | 4              | F1 OR F2 |
| 875  | 215T   | 8.50 | 19.70 | -    | 7.00 | 3.50 | 4              | F1 OR F2 |
| 875  | 213/5T | 8.50 | 19.70 | 5.50 | 7.00 | 3.50 | 8              | F1 OR F2 |
| 1000 | 213T   | 9.75 | 20.95 | 5.50 | 8.25 | 4.12 | 8              | F1 OR F2 |
| 1000 | 215T   | 9.75 | 20.95 | 7.00 | 8.25 | 4.12 | 8              | F1 OR F2 |

|  |                                      | TOLERANCES UNLESS SPECIFIED |     | MARATHON ELECTRIC |        | DRAWN SMC 04-07-1993 |                          |
|--|--------------------------------------|-----------------------------|-----|-------------------|--------|----------------------|--------------------------|
| NO.  | REVISION                             | BY & DATE                   | CHK | ANG               | FINISH | PREV                 |                          |
| 7  | ADDED FOOT HOLE QTY. & MTG. TO TABLE | CN 37322                    | TAT | 01-14-2004        | ML     | .X                   | ±.1                      |
| 6  | UPDATED C' BOX GEOMETRY              | CN 28425                    | DRS | 01-27-2000        |        | .XX                  | ±.03                     |
| 5  | ADDED DASHES 725 & 1000 WAS 'A' SIZE | CN 27451                    | MRB | 04-13-1999        |        | .XXX                 | ±.005                    |
| 4  | 5.25/5.19 DIM. WAS 5.22/5.22         | CN 16763                    | MRB | 05-03-1995        |        | .XXXX                | ±.0005                   |
| THIS DRAWING IN DESIGN AND DETAIL IS OUR PROPERTY AND MUST NOT BE USED EXCEPT IN CONNECTION WITH OUR WORK ALL RIGHTS OF DESIGN AND INVENTION ARE RESERVED THIS IS AN ELECTRONICALLY GENERATED DOCUMENT - DO NOT SCALE THIS PRINT |                                      |                             | RFP |                   |        |                      |                          |
| CAD FILE ss84278   |                                      |                             |     |                   |        | SIZE                 | DRAWING NO. PAGE OF REV. |
|  |                                      |                             |     |                   |        | B                    | SS84278 7                |

EE7308

THREE PHASE  
DUAL VOLTAGE MOTOR



VIEW OF TERMINAL END

REF.  
WINDING DIAGRAM

T8Y, T2Y, T2BL, T4BX, T2EC, T2G  
T6BZ, T2B, T6BL, T4AV, T6B, T4B

OPTIONAL CORD  
CONNECTION

L1 — WHITE  
L2 — RED  
L3 — BLACK

| NO.  | REVISION                                       | BY & DATE      | CHK | ANG   | TOLERANCES<br>UNLESS SPECIFIED |        | FINISH  | DRAWN RM 11/20/1990 |        |                    |           |        |
|--|--|----------------|-----|-------|--------------------------------|--------|---|---------------------|--------|--------------------|-----------|--------|
|  |  |                |     |       | DEC.                           | INCHES |   |                     |        |                    |           |        |
| 5  | CHG TO REGAL LOGO                              | SL 09/10/2015  | AB  |       |                                |        |   | CHK ML 11/21/1990   |        |                    |           |        |
| 4  | REVISED IEC NOTATIONS                          | MSG 11/15/2011 | CMN | .X    | ±.1                            |        |   | APPD SAS 04/24/2003 |        |                    |           |        |
| 3  | ADDED IEC NOTATIONS... (U1), (V1) ETC. MU95194 | MSG 5/10/2010  | MJS | .XX   | ±.02                           |        |   | SCALE 1=1           |        |                    |           |        |
| 2  | ADDED THE OPTIONAL CORD CONNECTION MU46318     | RDH 04/24/2003 | DRS | .XXX  | ±.005                          |        | TITLE CONNECTION DIAGRAM<br>3Ø - DUAL VOLTAGE MOTOR | REF                 |        |                    |           |        |
| 1  | REDRAWN  | RM 11/20/1990  |     | .XXXX | ±.0005                         |        | MAT'L.  | FMF                 |        |                    |           |        |
|  |  |                |     |       | ±7'30"                         |        |   | PREV                |        |                    |           |        |
| THIS DRAWING IN DESIGN AND DETAIL IS OUR PROPERTY AND MUST NOT BE USED EXCEPT IN CONNECTION WITH OUR WORK ALL RIGHTS OF DESIGN AND INVENTION ARE RESERVED THIS IS AN ELECTRONICALLY GENERATED DOCUMENT - DO NOT SCALE THIS PRINT |  |                |     |       |                                |        | RFP   | CAD FILE ee7308     | SIZE A | DRAWING NO. EE7308 | PAGE OF 5 | REV. 5 |
|  |  |                |     |       |                                |        | DIST WP   |                     |        |                    |           |        |

