

PRODUCT INFORMATION PACKET

Model No: 184TTGS4037
Catalog No: C369
5,1800,EPFC,184TC,3/60/575
Other Purpose



Regal and Marathon are trademarks of Regal Beloit Corporation or one of its affiliated companies.
©2019 Regal Beloit Corporation, All Rights Reserved. MC017097E

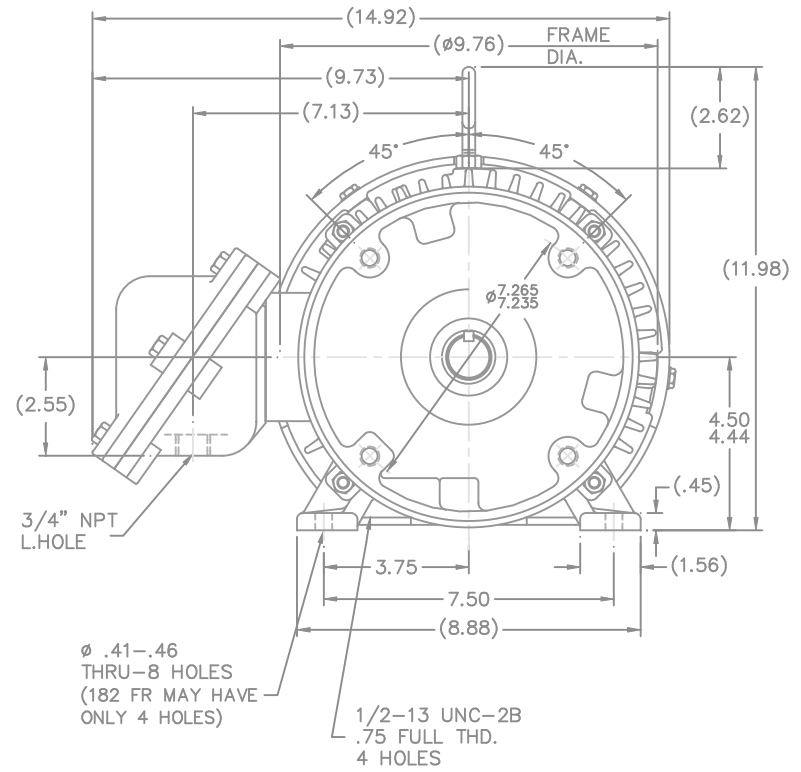
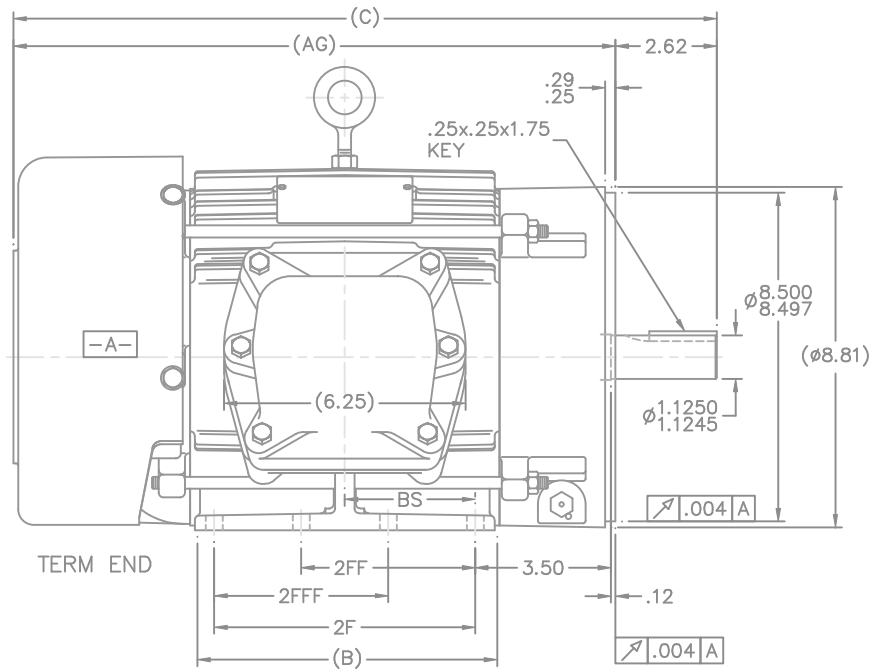


Nameplate Specifications

Output HP	5 HP	Output KW	3.7 kW
Frequency	60 Hz	Voltage	575 V
Current	5.2 A	Speed	1745 RPM
Service Factor	1.15	Phase	3
Efficiency	87.5 %	Duty	CONTINUOUS
Insulation Class	F	Design Code	B
KVA Code	J	Frame	184TC
Enclosure	EPFC	Overload Protector	NOT
Ambient Temperature	40 °C	Drive End Bearing Size	6207
Opp Drive End Bearing Size	6205	UL	No
CSA	N	CE	N
IP Code	54		

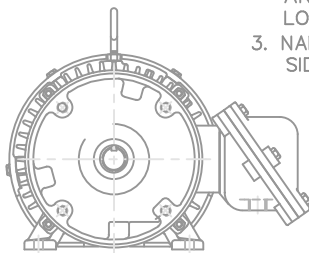
Technical Specifications

Electrical Type	SQ CAGE INV RATED	Starting Method	LINE OR INVERTER
Poles	4	Rotation	REV
Mounting	RIGID	Motor Orientation	HORIZONTAL
Drive End Bearing	BALL	Opp Drive End Bearing	BALL
Frame Material	CAST IRON	Shaft Type	T
Overall Length	18.19 in	Frame Length	8 in
Shaft Diameter	1.13 in	Shaft Extension	2.62 in
Assembly/Box Mounting	F1 ONLY		
Outline Drawing	B-SS68746-800	Connection Diagram	A-EE7300T



- NOTES:
1. CONDUIT BOX CAN BE ROTATED IN 90° STEPS.
 2. BOX CAN BE MOUNTED ON OPPOSITE SIDE BY REMOVING BRACKETS AND TURNING FRAME 180° THIS MODIFICATION CAN BE PERFORMED ONLY BY THE ORIGINAL EQUIPMENT MANUFACTURER, OR BY A FACILITY THAT IS COVERED UNDER UNDERWRITERS LABORATORIES INC. CATEGORY PTKQ.TITLED "MOTORS AND GENERATORS REBUILT FOR USE IN HAZARDOUS LOCATIONS"
 3. NAMEPLATE TO BE READ FROM CONDUIT BOX SIDE OF MOTOR

DASH	FRAME	B	2F	2FF	2FFF	BS	MOUNTING	C CAST FAN GUARD	C STEEL FAN GUARD	AG CAST FAN GUARD	AG STEEL FAN GUARD
575	182TC	5.50	4.50	—	—	2.25	F1 ONLY	15.94	15.62	13.32	13.00
675	182/4TC	6.50	5.50	4.50	4.50	2.25	F1 OR F2	16.94	16.62	14.32	14.00
800	182TC	7.75	6.75	4.50	4.50	3.37	F1 OR F2	18.19	17.87	15.57	15.25
800	184TC	7.75	6.75	5.50	5.50	3.37	F1 OR F2	18.19	17.87	15.57	15.25



F2 MOUNTING

NO.	REVISION	BY & DATE	CHK	ANG	±	FINISH	PREV
10	NOTE UP DATED AS PER CN NO.40800.	ST 2/20/2007	SL	UNLESS SPECIFIED	TOLERANCES		
9	REMOVED DASH 675 - 184TC FR.	TJW 06/22/2006	ML	DEC.	INCHES		
8	ADDED GEOMETRIC TOLERANCES CN 32189	NJS 03-27-2003	ML	.X	±.1		
7	DASH 675 - 182TC FR.; 'B' DIM. WAS 5.50 CN 31976	DRS 12-17-2002	ML	.XX	±.03		
6	ADDED F2 MOUNTING VIEW MU40045	NJS 01-16-2002	ML	.XXX	±.005		
5	UPDATED 2F, 2FF, 2FFF ON -675-182TC FR. CN 31549	DRS 04-30-2001	ML	.XXXX	±.0005		
			CHK	ANG	±7'30"		
			RFP			CAD FILE	ss68746
			DIST	LB			
			SIZE	B		DRAWING NO.	SS68746
			PAGE	OF		REV.	10



TITLE OUTLINE
180TC FR. - C'FACE - EPFC - CAST C'BOX

DRAWN MRB 02-25-1999
CHK ML 03-01-1999
APPD GK 03-01-1999

SCALE 5=16
REF
FMF
PREV

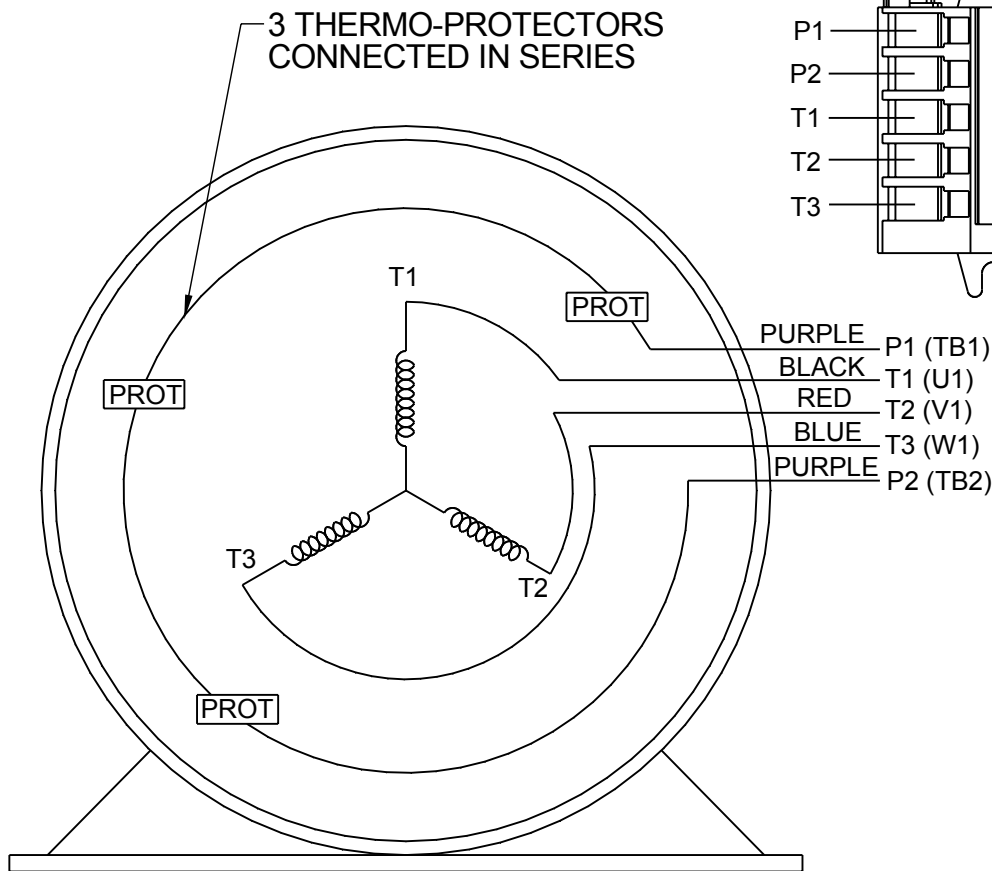
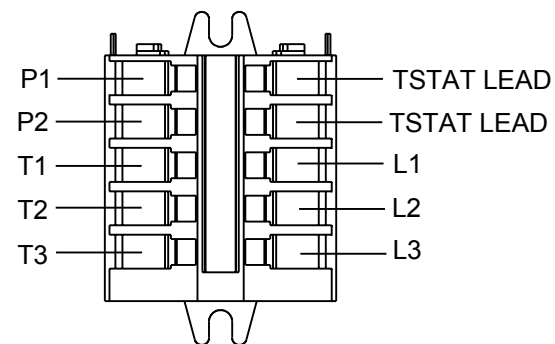
THIS DRAWING IN DESIGN AND DETAIL IS OUR PROPERTY AND MUST NOT BE USED EXCEPT IN CONNECTION WITH OUR WORK ALL RIGHTS OF DESIGN AND INVENTION ARE RESERVED THIS IS AN ELECTRONICALLY GENERATED DOCUMENT - DO NOT SCALE THIS PRINT

THREE PHASE - SINGLE VOLTAGE
MOTOR - CONDUIT BOX @ 'A'

TO REVERSE ROTATION:
INTERCHANGE ANY TWO LINE
LEAD CONNECTIONS

NOTE FOR FACTORY USE ONLY:
TO SURGE TEST:
FOR 3 LEAD COMMON CONNECT:
CONNECT P1 TO T1 THEN P2 TO L1
FOR 6 LEAD COMMON CONNECT:
CONNECT P1 TO BOTH T1
THEN P2 TO L1

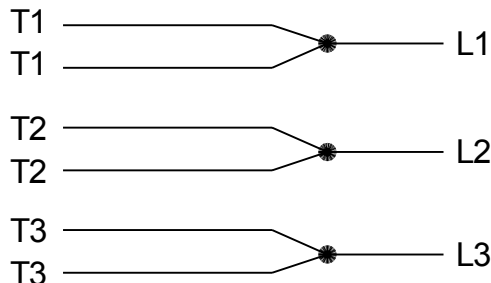
TERMINAL BLOCK WHEN SPECIFIED



- PURPLE P1 (TB1)
- BLACK T1 (U1)
- RED T2 (V1)
- BLUE T3 (W1)
- PURPLE P2 (TB2)

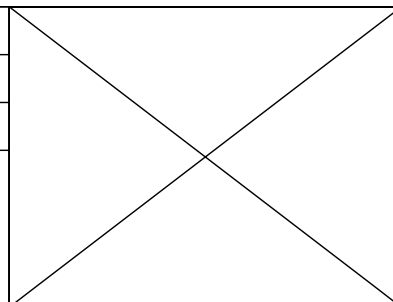
- T2BM
- T6AW
- T6AL
- T6Z
- T4EG
- T4BF
- T8A
- T6H
- T6A
- T4AX
- T4A
- T2A
- T2F

IF MOTOR HAS MULTIPLE
T'S PER LEAD CONNECT
TOGETHER LIKE T'S



A-9806 DECAL

DRAWING REVISION AB	REVISION BY AJW	DATE 07-17-2015
ECO ECO-0081632	APPROVED BY T.VUE	DATE 07-17-2015
ECO DESCRIPTION REV'D IEC MARKINGS PER IEC-60034-8		
<small>COPYRIGHT REGAL BELOIT AMERICA, INC. ALL RIGHTS RESERVED. PROPRIETARY AND CONFIDENTIAL INFORMATION - THIS DOCUMENT IS THE PROPERTY OF REGAL BELOIT AMERICA, INC. ("OWNER") AND CONTAINS OWNER'S PROPRIETARY INFORMATION. ANY PERSON, CORPORATION OR OTHER FIRM RECEIVING IT IS DEEMED, BY RECEIVING IT, TO AGREE THAT IT, AND/OR ANY PART OF IT, SHALL NOT BE DISCLOSED TO ANY PERSON, CORPORATION OR OTHER ENTITY, DUPLICATED, AND/OR USED, EXCEPT AS EXPRESSLY APPROVED IN WRITING IN ADVANCE BY OWNER. THIS DOCUMENT SHALL BE RETURNED TO OWNER UPON REQUEST. IT MAY BE SUBJECT TO CERTAIN RESTRICTIONS UNDER APPLICABLE EXPORT CONTROL LAWS AND REGULATIONS.</small>		



DRAWN BY LZ	Regal Beloit America, Inc.	
DATE 01-04-1994		
APPROVED BY GK	DESCRIPTION CONN DIAGRAM-EXTERNAL 3Ø-SINGLE VOLT-MOTOR WITH PROTECTOR	
DATE 01-20-1994	MATERIAL	
REFERENCE	PROCESS/FINISH	
THIRD ANGLE PROJECTION	SIZE A	DRAWING NUMBER EE7300T
		SHEET 1 OF 1