

PRODUCT INFORMATION PACKET

Model No: 184TTGS4026
Catalog No: U005
5,1800,EPFC,184T,3/60/230/460
Other Purpose



Regal and Marathon are trademarks of Regal Beloit Corporation or one of its affiliated companies.

©2019 Regal Beloit Corporation, All Rights Reserved. MC017097E

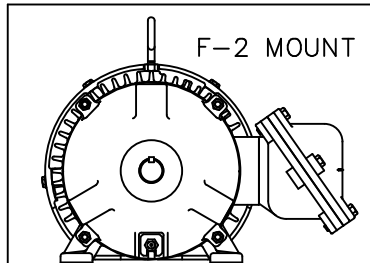
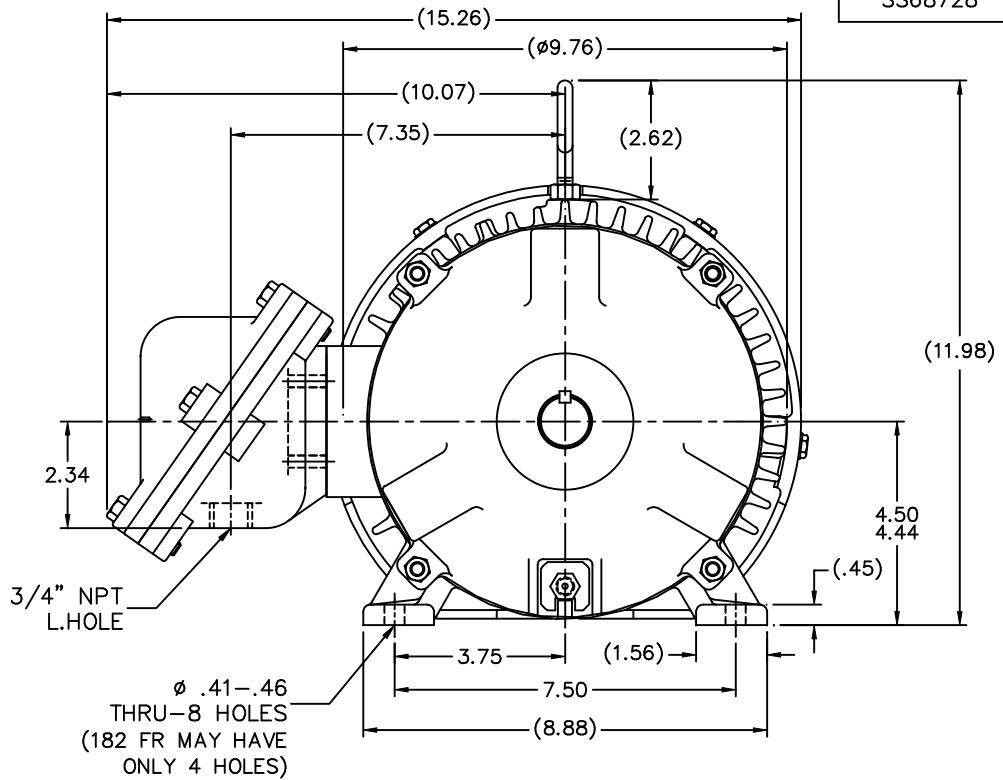
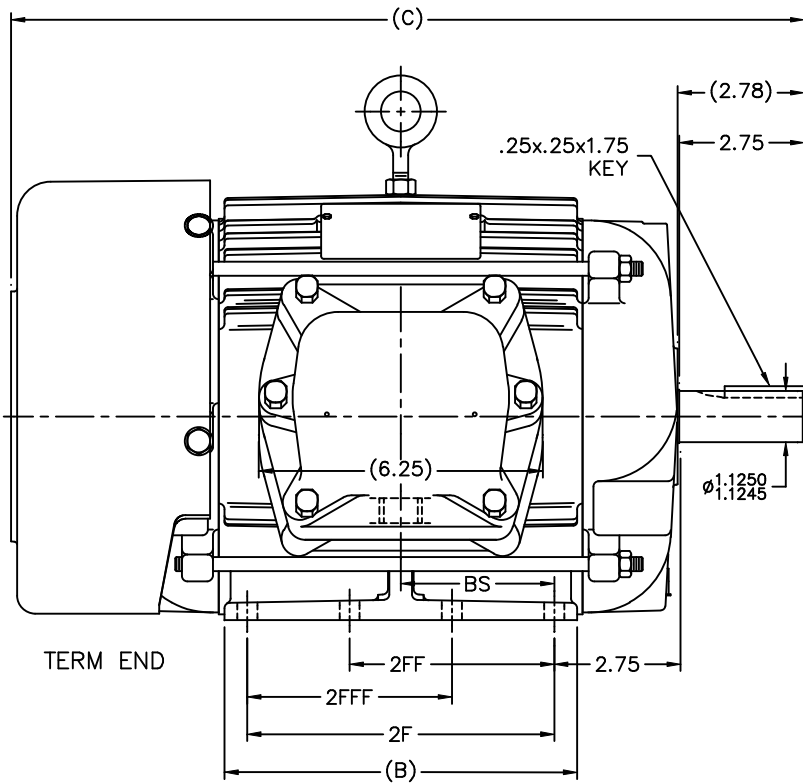


Nameplate Specifications

Output HP	5 HP	Output KW	3.7 kW
Frequency	60 Hz	Voltage	208-230/460 V
Current	14-13/6.5 A	Speed	1745 RPM
Service Factor	1.15	Phase	3
Efficiency	87.5 %	Duty	CONTINUOUS
Insulation Class	F	Design Code	B
KVA Code	J	Frame	184T
Enclosure	EPFC	Overload Protector	NOT
Ambient Temperature	40 °C	Drive End Bearing Size	6206
Opp Drive End Bearing Size	6205	UL	No
CSA	N	CE	N
IP Code	54		

Technical Specifications

Electrical Type	SQ CAGE INV RATED	Starting Method	LINE OR INVERTER
Poles	4	Rotation	REV
Mounting	RIGID	Motor Orientation	HORIZONTAL
Drive End Bearing	BALL	Opp Drive End Bearing	BALL
Frame Material	CAST IRON	Shaft Type	T
Overall Length	17.44 in	Frame Length	8 in
Shaft Diameter	1.13 in	Shaft Extension	2.75 in
Assembly/Box Mounting	F1 ONLY		
Outline Drawing	B-SS68728-800	Connection Diagram	A-EE7308T

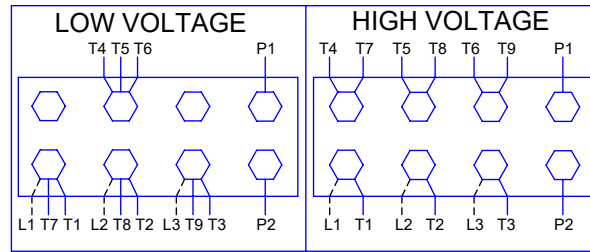


- NOTES:
 1- CONDUIT BOX CAN BE ROTATED IN 90° STEPS.
 2- CONDUIT BOX CAN BE MOUNTED ON OPPOSITE SIDE BY REMOVING BRACKETS AND TURNING FRAME 180°. THIS MODIFICATION CAN BE PERFORMED ONLY BY THE ORIGINAL EQUIPMENT MANUFACTURER, OR BY A FACILITY THAT IS COVERED UNDER UNDERWRITERS LABORATORIES INC. CATEGORY PTKQ, TITLED "MOTORS AND GENERATORS, REBUILT FOR USE IN HAZARDOUS LOCATIONS".
 3- NAMEPLATE TO BE READ FROM CONDUIT BOX SIDE OF MOTOR.

DASH	FRAME	B	2F	2FF	2FFF	BS	C CAST FAN GUARD	C STEEL FAN GUARD
575	182T	5.50	4.50	-	-	2.25	15.19	14.87
675	182T	6.50	5.50	-	-	2.75	16.19	15.87
675	182/4T	6.50	5.50	4.50	4.50	2.75	16.19	15.87
800	182T	7.75	6.75	4.50	4.50	3.37	17.44	17.12
800	184T	7.75	6.75	5.50	5.50	3.37	17.44	17.12

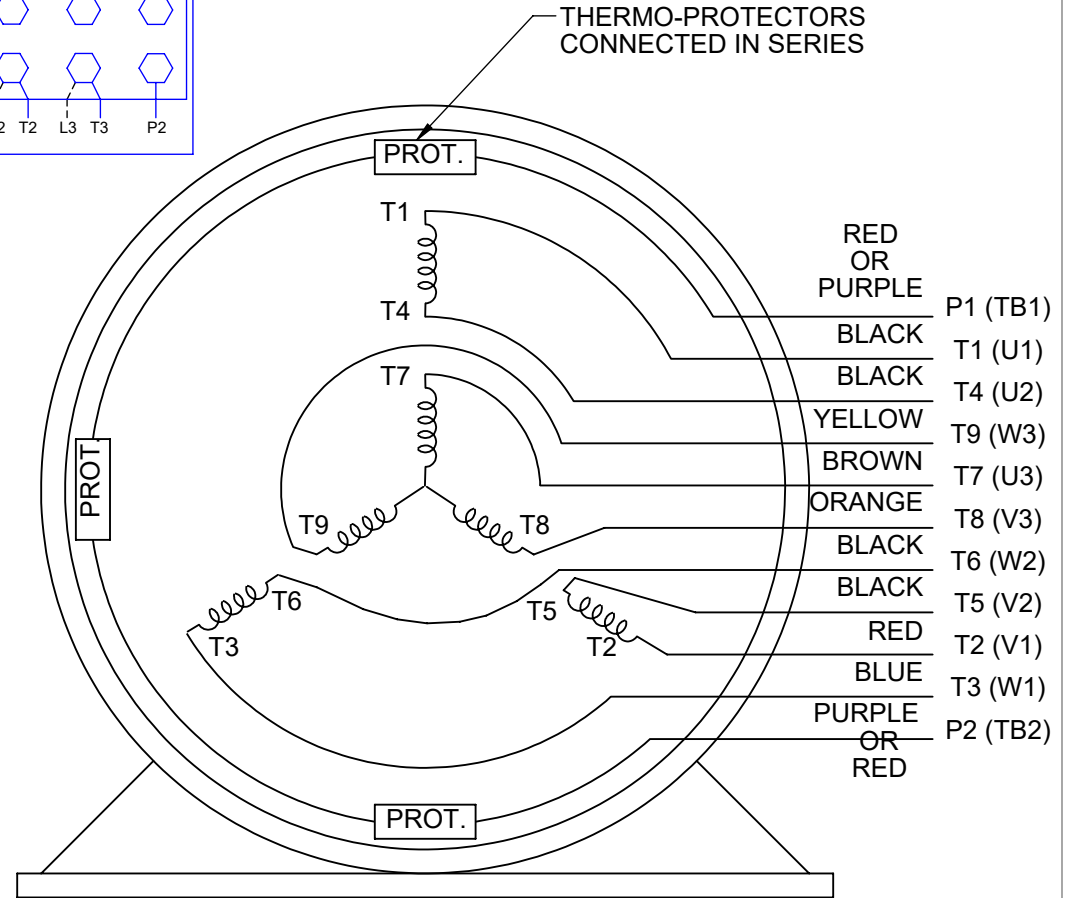
8	ADD EXPLOSION-PROOF NOTE AND ARRANGE TO STD.			TOLERANCES UNLESS SPECIFIED		DRAWN DRS 02-10-1999
	PER MU76518	RWR 11-20-2006	ML	DEC. INCHES		CHK ML 03-01-1999
7	ADDED F-2 VIEW MU69527	CAV 11-14-2005	ML	.X ±.1	APPD GK 03-01-1999	
6	UPDATED C'BOX GEOMETRY CN 31842	DRS 09-26-2002	ML	.XX ±.03	SCALE 3=8	
5	REMOVED HOLE FROM FAN GUARD	CTO 01-17-2002	ML	.XXX ±.005	REF	
4	REVISED DASH 675 TO READ 182/4T CN 27451	TJB 05-03-2001	ML	.XXXX ±.0005	MATL	
NO.	REVISION	BY & DATE	CHK	ANG ±7'30"	FINISH	PREV
THIS DRAWING IN DESIGN AND DETAIL IS OUR PROPERTY AND MUST NOT BE USED EXCEPT IN CONNECTION WITH OUR WORK ALL RIGHTS OF DESIGN AND INVENTION ARE RESERVED THIS IS AN ELECTRONICALLY GENERATED DOCUMENT - DO NOT SCALE THIS PRINT				RFP	CAD FILE ss68728	SIZE DRAWING NO. PAGE OF REV.
				DIST LB	B	SS68728 8

HIGH VOLTAGE



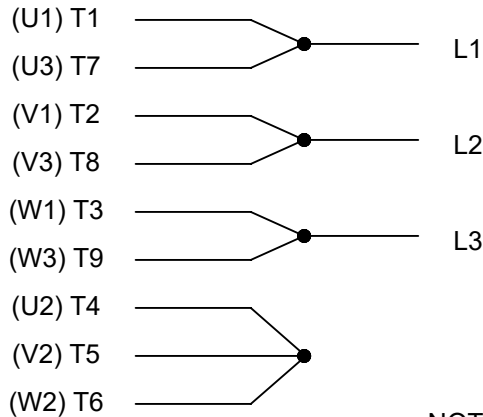
**THREE PHASE
DUAL VOLTAGE MOTOR**

THERMO-PROTECTORS
CONNECTED IN SERIES



NOTE FOR FACTORY USE ONLY:
TO SURGE TEST FOR COMMON CONNECT:
HIGH VOLT: CONNECT P1 TO T1
THEN P2 TO L1
LOW VOLT: CONNECT P1 TO T1 & T7,
THEN P2 TO L1

LOW VOLTAGE



VIEW OF TERMINAL END

NOTE: LEAD'S COLOR CAN BE YELLOW OR WHITE FOR MT2 PLANT

DRAWING REVISION T	REVISION BY ZR	DATE 01-14-2019		DRAWN BY SMC	Regal Beloit America, Inc.
ECO ECO-0159915	APPROVED BY DR	DATE 01-15-2019		DATE 05-13-1992	
ECO DESCRIPTION ADDED TERMINAL CONNECTION DIAGRAM				APPROVED BY TB	DESCRIPTION CONN DIAGRAM-INTERNAL 3 PHASE - DUAL VOLTAGE MOTOR
<small>COPYRIGHT REGAL BELOIT AMERICA, INC. ALL RIGHTS RESERVED. PROPRIETARY AND CONFIDENTIAL INFORMATION - THIS DOCUMENT IS THE PROPERTY OF REGAL BELOIT AMERICA, INC. ("OWNER") AND CONTAINS OWNER'S PROPRIETARY INFORMATION. ANY PERSON, CORPORATION OR OTHER FIRM RECEIVING IT IS DEEMED, BY RECEIVING IT, TO AGREE THAT IT, AND/OR ANY PART OF IT, SHALL NOT BE DISCLOSED TO ANY PERSON, CORPORATION OR OTHER ENTITY, DUPLICATED, AND/OR USED, EXCEPT AS EXPRESSLY APPROVED IN WRITING IN ADVANCE BY OWNER. THIS DOCUMENT SHALL BE RETURNED TO OWNER UPON REQUEST. IT MAY BE SUBJECT TO CERTAIN RESTRICTIONS UNDER APPLICABLE EXPORT CONTROL LAWS AND REGULATIONS.</small>			DATE 05-13-1992	MATERIAL	PROCESS/FINISH
			REFERENCE EE7308/EE7300	SIZE A	DRAWING NUMBER EE7308T
			THIRD ANGLE PROJECTION		