

# PRODUCT INFORMATION PACKET

Model No: 184TTFS6030  
Catalog No: E304  
5,1800,TEFC,184T,3/60/575  
Totally Enclosed Fan Cooled (TEFC)



Regal and Marathon are trademarks of Regal Beloit Corporation or one of its affiliated companies.  
©2019 Regal Beloit Corporation, All Rights Reserved. MC017097E



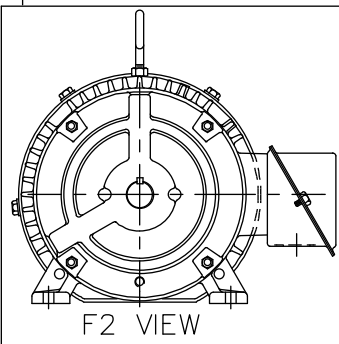
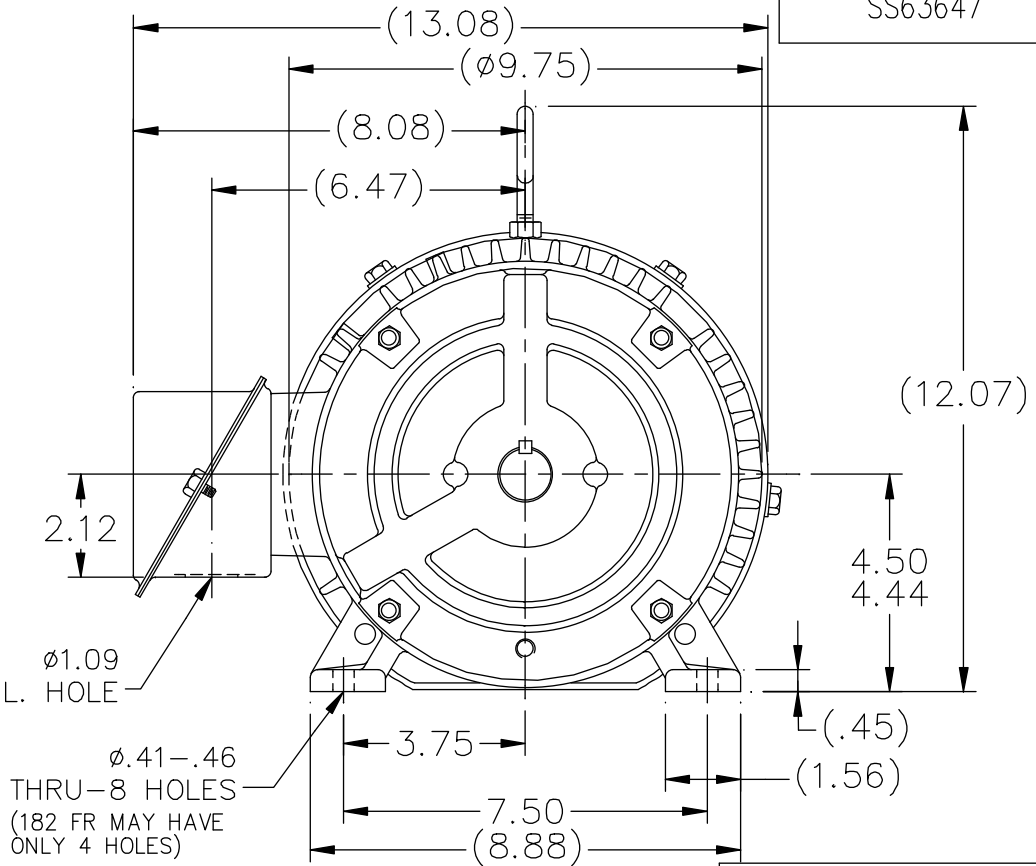
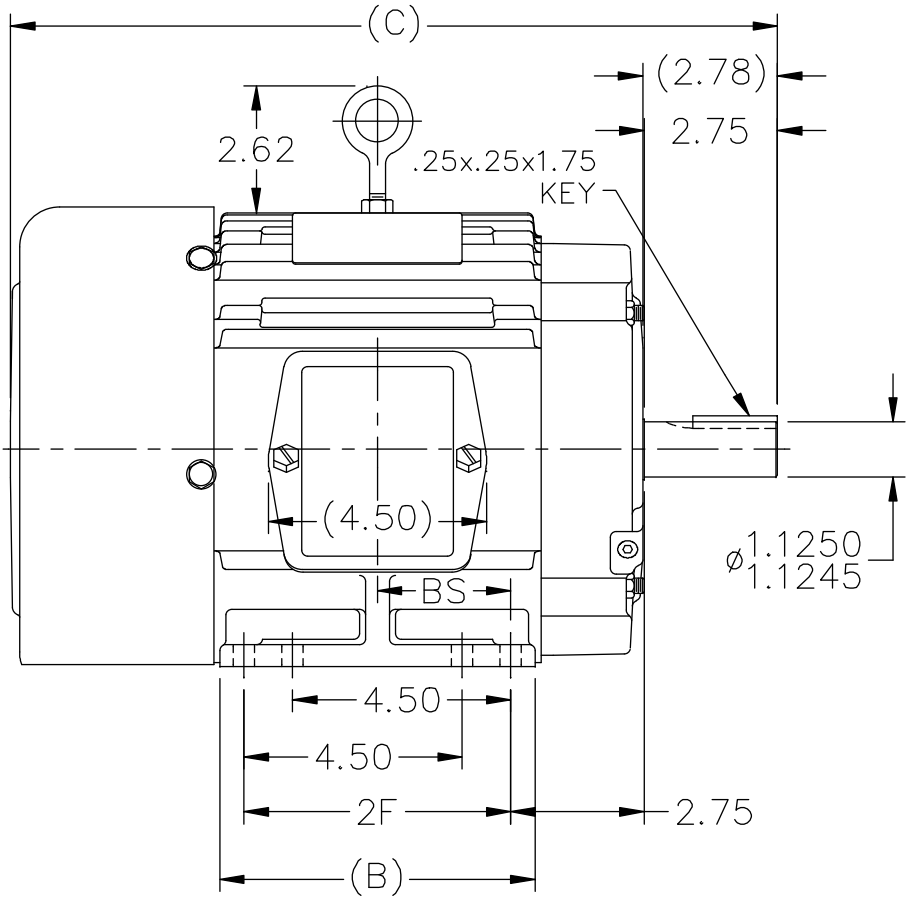
### Nameplate Specifications

Output HP	<b>5 HP</b>	Output KW	<b>3.7 kW</b>
Frequency	<b>60 Hz</b>	Voltage	<b>575 V</b>
Current	<b>5 A</b>	Speed	<b>1755 RPM</b>
Service Factor	<b>1.15</b>	Phase	<b>3</b>
Efficiency	<b>90.2 %</b>	Duty	<b>CONTINUOUS</b>
Insulation Class	<b>F</b>	Design Code	<b>B</b>
KVA Code	<b>J</b>	Frame	<b>184T</b>
Enclosure	<b>TEFC</b>	Overload Protector	<b>NOT</b>
Ambient Temperature	<b>40 °C</b>	Drive End Bearing Size	<b>6206</b>
Opp Drive End Bearing Size	<b>6205</b>	UL	<b>Recognized</b>
CSA	<b>Y</b>	CE	<b>Y</b>
IP Code	<b>43</b>		

### Technical Specifications

Electrical Type	<b>SQ CAGE IND RUN</b>	Starting Method	<b>ACROSS THE LINE</b>
Poles	<b>4</b>	Rotation	<b>REV</b>
Mounting	<b>RIGID</b>	Motor Orientation	<b>HORIZONTAL</b>
Drive End Bearing	<b>BALL</b>	Opp Drive End Bearing	<b>BALL</b>
Frame Material	<b>CAST IRON</b>	Shaft Type	<b>T</b>
Overall Length	<b>15.81 in</b>	Frame Length	<b>6.75 in</b>
Shaft Diameter	<b>1.13 in</b>	Shaft Extension	<b>2.78 in</b>
Assembly/Box Mounting	<b>F1/F2 CAPABLE</b>		
Outline Drawing	<b>A-SS63647-675</b>	Connection Diagram	<b>A-EE7300</b>

SS63647



NOTES:

1. CONDUIT BOX CAN BE ROTATED IN 90° STEPS.
2. CONDUIT BOX CAN BE MOUNTED ON OPPOSITE SIDE BY REMOVING BRACKETS AND TURNING FRAME 180°
3. NAMEPLATE TO BE READ FROM CONDUIT BOX SIDE OF MOTOR

DASH	FR.	C	B	2F	BS	MOUNTING
575	182T	14.81	5.50	4.50	2.25	F1 OR F2
675	182/4T	15.81	6.50	5.50	2.75	F1 OR F2
800	182/4T	17.06	7.75	5.50	3.38	F1 ONLY

NO.	REVISION	BY & DATE	CHK	ANG	±7'30"
11	ADDED F2 VIEW	HLB			
10	REVISED DASH 575 WAS F1 ONLY CN 29200-90	CAV 01-31-2000			
9	ADDED 4 EXTRA FOOT HOLES	MRB 07-02-1998			
8	REVISED SHAFT HEIGHT CN 16763	BRH 03-18-1996			
7	REDRAWN ON CADD	SMC 04-20-1993			

TOLERANCES UNLESS SPECIFIED	
DEC.	INCHES
.X	±.1
.XX	±.03
.XXX	±.005
.XXXX	±.0005



TITLE OUTLINE  
180T FR. - BB - TS - TEFC

MAT'L.

FINISH

DRAWN	SMC 04-07-1993
CHK	ML 04-12-1993
APPD	GK 04-19-1993
SCALE	1=4
REF	
FMF	
PREV	

THIS DRAWING IN DESIGN AND DETAIL IS OUR PROPERTY AND MUST NOT BE USED EXCEPT IN CONNECTION WITH OUR WORK ALL RIGHTS OF DESIGN AND INVENTION ARE RESERVED THIS IS AN ELECTRONICALLY GENERATED DOCUMENT - DO NOT SCALE THIS PRINT

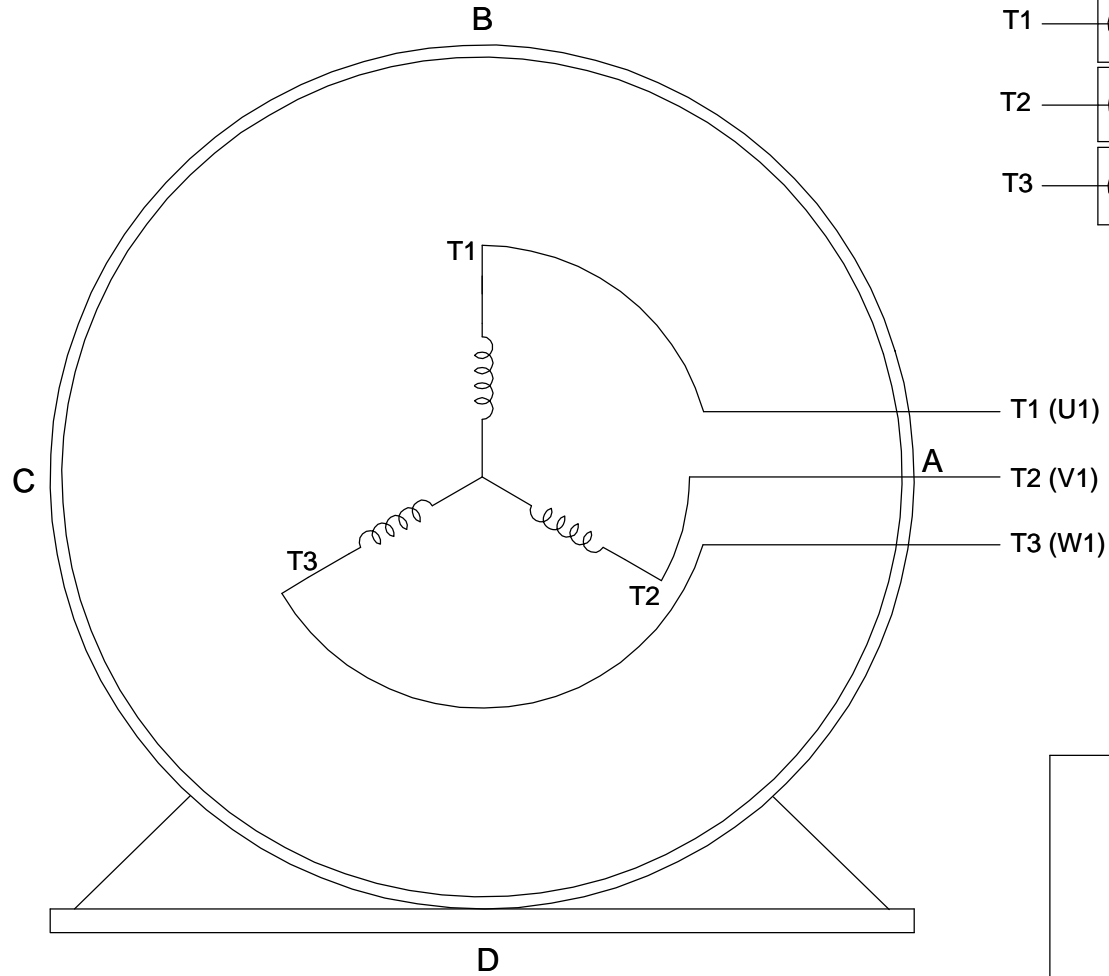
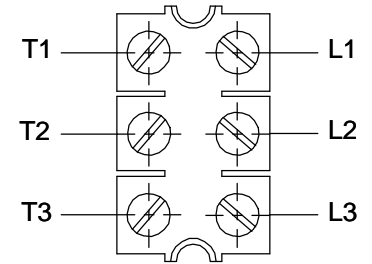
RFP	CAD FILE ss63647
DIST LB	

SIZE	DRAWING NO.	PAGE	OF	REV.
A	SS63647			11

**THREE PHASE - SINGLE VOLTAGE  
MOTOR - CONDUIT BOX @ 'A'**

**TO REVERSE ROTATION:  
INTERCHANGE ANY TWO  
LINE LEAD CONNECTIONS.**

**TERMINAL BLOCK WHEN SPECIFIED**



**VIEW OF TERMINAL END**

**IF MOTOR HAS  
6 LEADS**



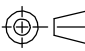
**A-9806 DECAL**

**OPTIONAL CORD  
CONNECTION**

- L1 WHITE
- L2 RED
- L3 BLACK

DRAWING REVISION <b>AB</b>	REVISION BY <b>JJB</b>	DATE <b>06-27-2017</b>
ECO <b>ECO-0125361</b>	APPROVED BY <b>TB</b>	DATE <b>06-27-2017</b>
ECO DESCRIPTION <b>UPDATED TO CURRENT STANDARDS</b>		
<small>COPYRIGHT REGAL BELOIT AMERICA, INC. ALL RIGHTS RESERVED.                  PROPRIETARY AND CONFIDENTIAL INFORMATION - THIS DOCUMENT IS THE PROPERTY OF                  REGAL BELOIT AMERICA, INC. ("OWNER") AND CONTAINS OWNER'S PROPRIETARY                  INFORMATION. ANY PERSON, CORPORATION OR OTHER FIRM RECEIVING IT IS DEEMED,                  BY RECEIVING IT, TO AGREE THAT IT, AND/OR ANY PART OF IT, SHALL NOT BE DISCLOSED                  TO ANY PERSON, CORPORATION OR OTHER ENTITY, DUPLICATED, AND/OR USED, EXCEPT                  AS EXPRESSLY APPROVED IN WRITING IN ADVANCE BY OWNER. THIS DOCUMENT SHALL                  BE RETURNED TO OWNER UPON REQUEST. IT MAY BE SUBJECT TO CERTAIN                  RESTRICTIONS UNDER APPLICABLE EXPORT CONTROL LAWS AND REGULATIONS.</small>		



DRAWN BY <b>DA</b>	 <b>Regal Beloit America, Inc.</b>
DATE <b>03-26-1993</b>	
APPROVED BY <b>TB</b>	DESCRIPTION <b>CONNECTION DIAGRAM</b>
DATE <b>03-26-1993</b>	<b>EXTERNAL - SINGLE VOLTAGE - 3Ø MOTOR</b>
REFERENCE	MATERIAL
PROCESS/FINISH	
THIRD ANGLE PROJECTION 	SIZE <b>A</b>
DRAWING NUMBER <b>EE7300</b>	SHEET <b>1 OF 1</b>