

PRODUCT INFORMATION PACKET

Model No: 184TTFR4056
Catalog No: U326
5,1800,TEFC,184JM,3/60/575 (REPLACED BY 184TTFW14028)
JM



Regal and Marathon are trademarks of Regal Beloit Corporation or one of its affiliated companies.
©2019 Regal Beloit Corporation, All Rights Reserved. MC017097E

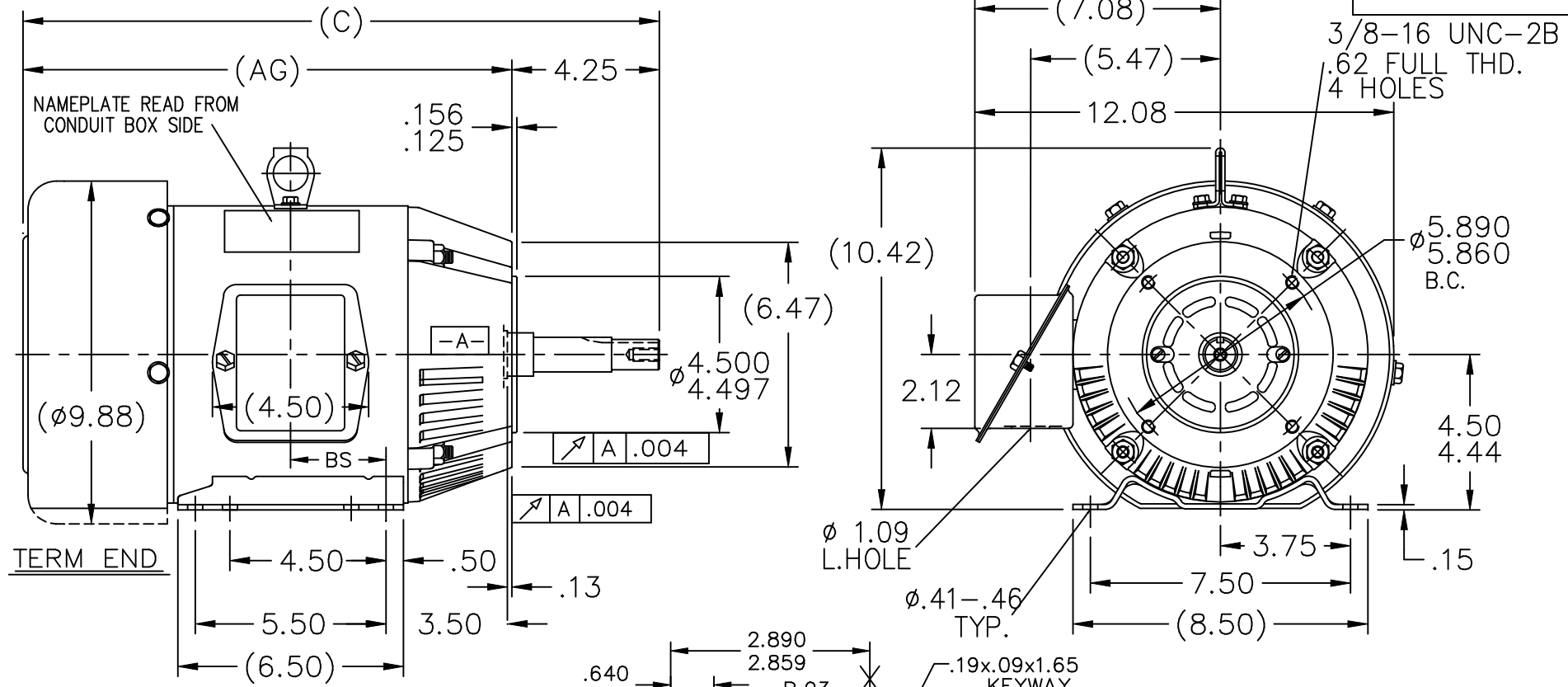
Nameplate Specifications

Output HP	5 HP	Output KW	3.70 kW
Frequency	60 Hz	Voltage	575 V
Current	5.2 A	Speed	1745 RPM
Service Factor	1.15	Phase	3
Efficiency	87.5 %	Duty	CONTINUOUS
Insulation Class	F	Design Code	B
KVA Code	J	Frame	184JM
Enclosure	TEFC	Overload Protector	NOT
Ambient Temperature	40 °C	Drive End Bearing Size	6307
Opp Drive End Bearing Size	6205	UL	Recognized
CSA	Y	CE	Y
IP Code	43		

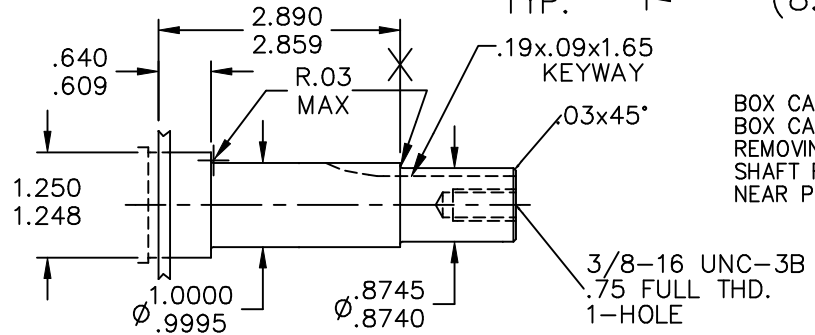
Technical Specifications

Electrical Type	SQ CAGE IND RUN	Starting Method	ACROSS THE LINE
Poles	4	Rotation	REV
Mounting	RIGID	Motor Orientation	HORIZONTAL
Drive End Bearing	BALL	Opp Drive End Bearing	BALL
Frame Material	ROLLED STEEL	Shaft Type	JM
Overall Length	18.85 in	Frame Length	7.25 in
Shaft Diameter	.88 in	Shaft Extension	4.28 in
Assembly/Box Mounting	F1 ONLY		
Outline Drawing	A-SS65647-725	Connection Diagram	A-EE7300

SS65647



DASH	FR.	C	AG	BS	MOUNTING
575	182T	17.35	13.10	2.25	F1 ONLY
625	182T	17.85	13.60	2.50	F1 ONLY
675	182/4T	18.35	14.10	2.75	F1 OR F2
725	182/4T	18.85	14.60	3.00	F1 OR F2
775	182/4T	19.35	15.10	3.25	F1 OR F2
825	182/4T	19.85	15.60	3.50	F1 ONLY
875	182/4T	20.35	16.10	3.75	F1 ONLY



BOX CAN BE ROTATED IN 90° STEPS. BOX CAN BE MOUNTED ON OPPOSITE SIDE BY REMOVING BRACKETS AND TURNING FRAME 180°. SHAFT RUNOUT NOT TO EXCEED .002 T.I.R. NEAR POINT "X".

(REPLACES A-SS65455)

NO.	REVISION	BY & DATE	CHK	ANG	±7'30"
8	CORRECTED REAR BRACKET DESIGN	JJB 07/20/2007	ML		
7	ADDED LIFT LUG CN 34025	DRS 07-20-2001		DEC.	INCHES
6	REMOVED DASH 675 182T DASH 675 182/4T WAS 184T CN 29200-443	TJB 05-16-2000		.XX	±.03
5	ADDED -675 W/F1 ONLY MOUNTING CN27400-320	CAE 09-15-1999		.XXX	±.005
4	REMOVED EYEBOLT	DRS 11-08-1995		.XXXX	±.0005

TOLERANCES UNLESS SPECIFIED	DEC.	INCHES
	.X	±.1
	.XX	±.03
	.XXX	±.005
	.XXXX	±.0005
	ANG	±7'30"



TITLE OUTLINE
180T FR.-BB-TS-TEFC-C'FACE-'JM' EXT.
MAT'L.
FINISH

DRAWN DJK 04-28-1993
CHK ML 06-17-1993
APPD GK 06-17-1993
SCALE 7=32
REF
FMF
PREV

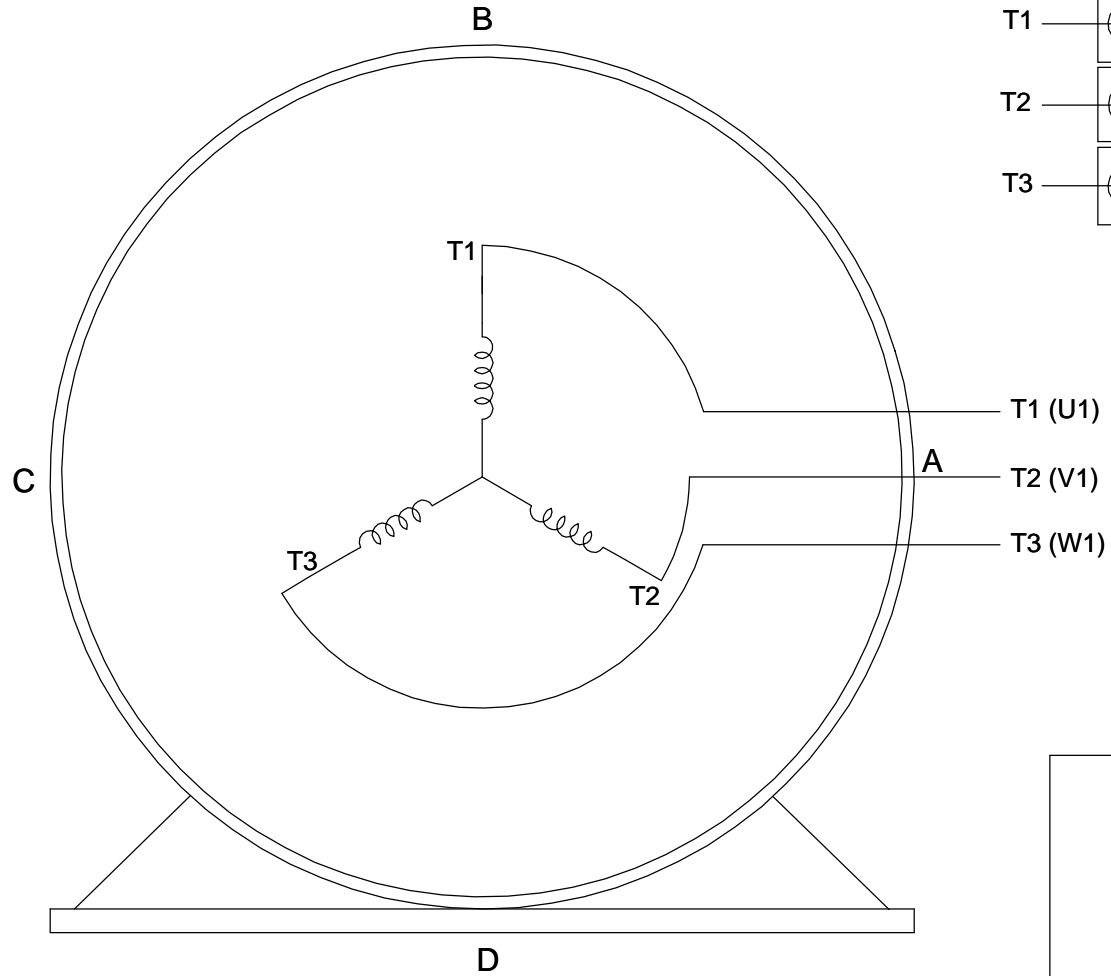
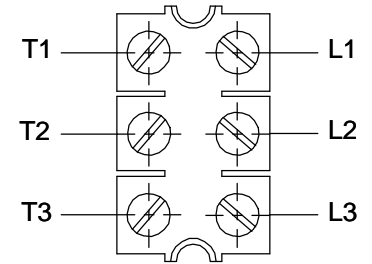
THIS DRAWING IN DESIGN AND DETAIL IS OUR PROPERTY AND MUST NOT BE USED EXCEPT IN CONNECTION WITH OUR WORK ALL RIGHTS OF DESIGN AND INVENTION ARE RESERVED THIS IS AN ELECTRONICALLY GENERATED DOCUMENT - DO NOT SCALE THIS PRINT

RFP	CAD FILE ss65647	SIZE A	DRAWING NO. SS65647	PAGE OF	REV. 8
DIST LB					

**THREE PHASE - SINGLE VOLTAGE
MOTOR - CONDUIT BOX @ 'A'**

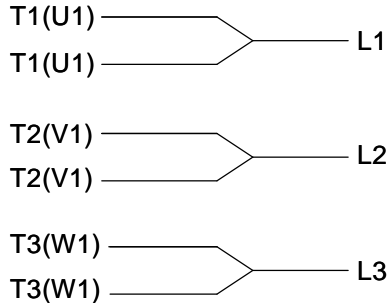
**TO REVERSE ROTATION:
INTERCHANGE ANY TWO
LINE LEAD CONNECTIONS.**

TERMINAL BLOCK WHEN SPECIFIED



VIEW OF TERMINAL END

**IF MOTOR HAS
6 LEADS**



A-9806 DECAL

**OPTIONAL CORD
CONNECTION**

- L1 WHITE
- L2 RED
- L3 BLACK

DRAWING REVISION AB	REVISION BY JJB	DATE 06-27-2017
ECO ECO-0125361	APPROVED BY TB	DATE 06-27-2017
ECO DESCRIPTION UPDATED TO CURRENT STANDARDS		
<small>COPYRIGHT REGAL BELOIT AMERICA, INC. ALL RIGHTS RESERVED. PROPRIETARY AND CONFIDENTIAL INFORMATION - THIS DOCUMENT IS THE PROPERTY OF REGAL BELOIT AMERICA, INC. ("OWNER") AND CONTAINS OWNER'S PROPRIETARY INFORMATION. ANY PERSON, CORPORATION OR OTHER FIRM RECEIVING IT IS DEEMED, BY RECEIVING IT, TO AGREE THAT IT, AND/OR ANY PART OF IT, SHALL NOT BE DISCLOSED TO ANY PERSON, CORPORATION OR OTHER ENTITY, DUPLICATED, AND/OR USED, EXCEPT AS EXPRESSLY APPROVED IN WRITING IN ADVANCE BY OWNER. THIS DOCUMENT SHALL BE RETURNED TO OWNER UPON REQUEST. IT MAY BE SUBJECT TO CERTAIN RESTRICTIONS UNDER APPLICABLE EXPORT CONTROL LAWS AND REGULATIONS.</small>		



DRAWN BY DA
DATE 03-26-1993
APPROVED BY TB
DATE 03-26-1993
REFERENCE
THIRD ANGLE PROJECTION

Regal Beloit America, Inc.		
		DESCRIPTION CONNECTION DIAGRAM EXTERNAL - SINGLE VOLTAGE - 3Ø MOTOR
MATERIAL	PROCESS/FINISH	
SIZE A	DRAWING NUMBER EE7300	SHEET 1 OF 1