

PRODUCT INFORMATION PACKET

Model No: 184TTDW7627
Catalog No: H1613
5,1800,DP,184T,3/60/200
Other Purpose



Regal and Marathon are trademarks of Regal Beloit Corporation or one of its affiliated companies.
©2019 Regal Beloit Corporation, All Rights Reserved. MC017097E

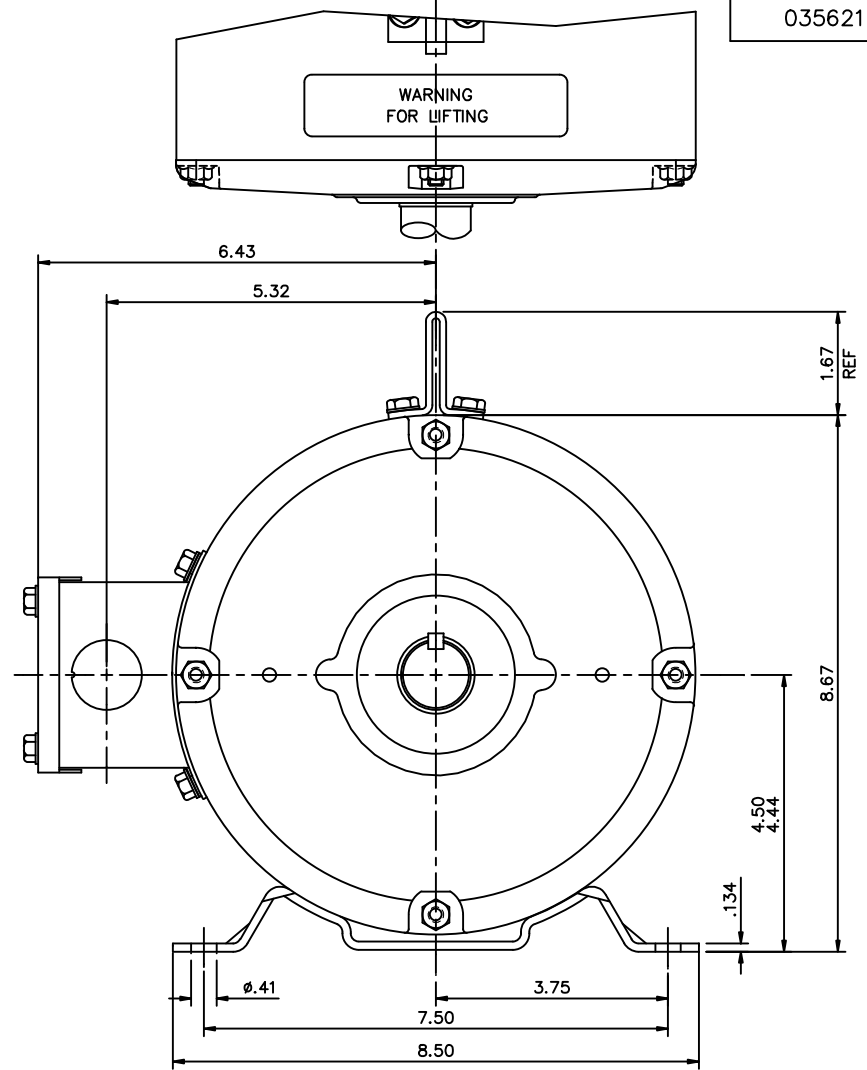
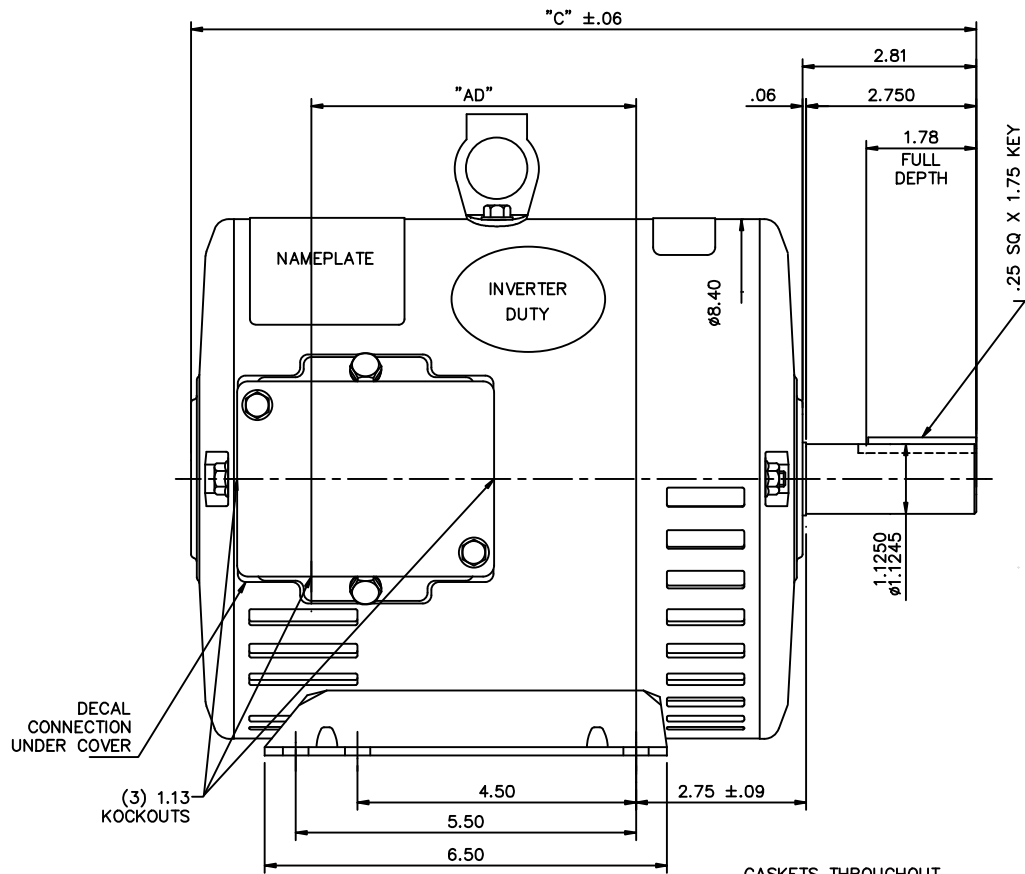


Nameplate Specifications

Output HP	5 HP	Output KW	3.70 kW
Frequency	60 Hz	Voltage	200 V
Current	15.2 A	Speed	1755 RPM
Service Factor	1.15	Phase	3
Efficiency	87.5 %	Duty	CONTINUOUS
Insulation Class	F	Design Code	B
KVA Code	J	Frame	184T
Enclosure	DP	Overload Protector	NOT
Ambient Temperature	40 °C	Drive End Bearing Size	6206
Opp Drive End Bearing Size	6205	UL	Recognized
CSA	Y	CE	Y
IP Code	22		

Technical Specifications

Electrical Type	SQ CAGE IND RUN	Starting Method	ACROSS THE LINE
Poles	4	Rotation	REV
Mounting	RIGID	Motor Orientation	HORIZONTAL
Drive End Bearing	BALL	Opp Drive End Bearing	BALL
Frame Material	ROLLED STEEL	Shaft Type	T
Overall Length	13.19 in	Frame Length	9 in
Shaft Diameter	1.13 in	Shaft Extension	2.75 in
Assembly/Box Mounting	F1 ONLY		
Outline Drawing	035621-900	Connection Diagram	005102.01



DECAL CONNECTION UNDER COVER
(3) 1.13 KOCKOUTS

DASH NO.	"C"	"AD"
800	12.19	4.75
850	12.69	5.25
900	13.19	5.75
950	13.69	6.25
1000	14.19	6.75
1050	14.69	7.25
1100	15.19	7.75
1150	15.69	8.25
1200	16.19	8.75

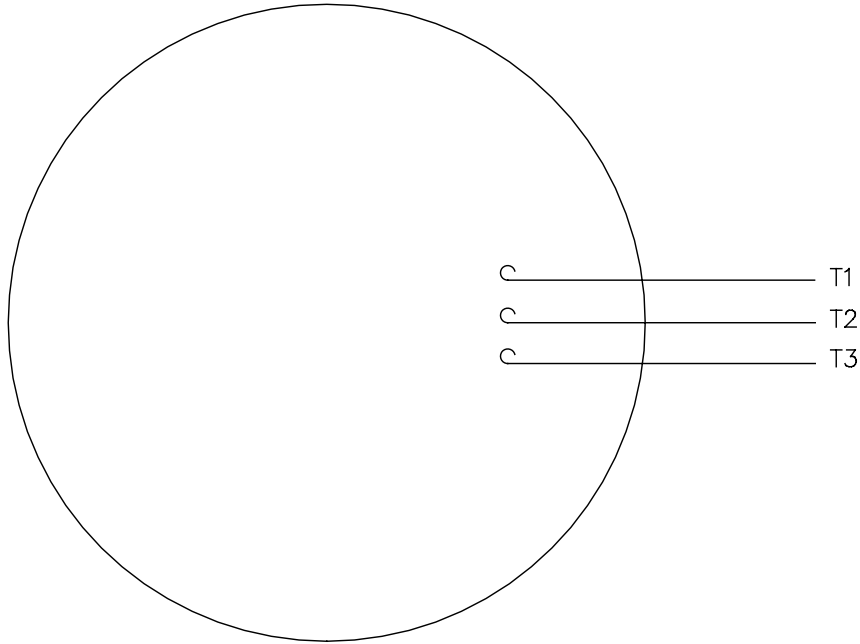
GASKETS THROUGHOUT

REVISION		BY & DATE	CHK	ANG	FINISH	PREV
01	UPDATED FOR NEW CONDUIT BOX (022737)	YS 03/24/08				

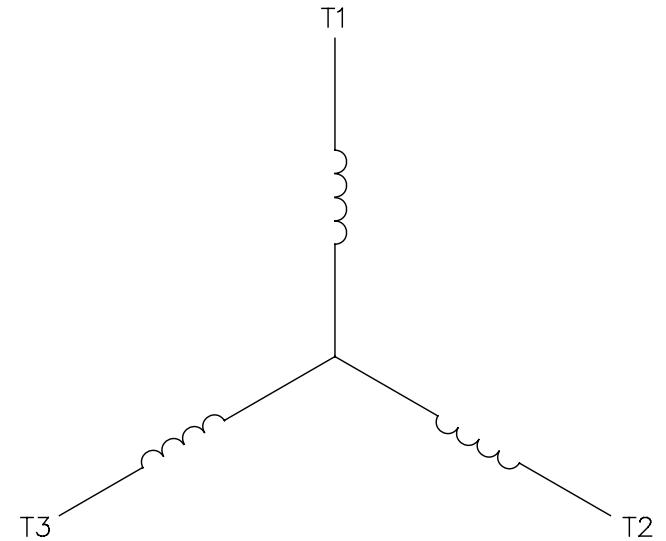
TOLERANCES UNLESS SPECIFIED DEC. INCHES .X ±.1 .XX ±.03 .XXX ±.005 .XXXX ±.0005			DRAWN VV 01/28/08 CHK APPD SCALE 1=2 REF 035534 FMF 184TTDW7627 PREV
THIS DRAWING IN DESIGN AND DETAIL IS OUR PROPERTY AND MUST NOT BE USED EXCEPT IN CONNECTION WITH OUR WORK ALL RIGHTS OF DESIGN AND INVENTION ARE RESERVED THIS IS AN ELECTRONICALLY GENERATED DOCUMENT - DO NOT SCALE THIS PRINT			TITLE OUTLINE - 180T FRAME DRIP PROOF - RIGID MAT'L RFP CAD FILE 035621 DIST NLV
		SIZE B DRAWING NO. 035621	REV. 01

005102-01

VIEW FROM OUTSIDE OF MOTOR AT SWITCH END.



LINE LEADS



CONNECT LEADS AS FOLLOWS
FOR FOUR CONDUCTOR CORD ()

CORD	L1 (RED)	L2 (WHITE)	L3 (BLACK)	(GREEN)
MOTOR	T1	T2	T3	GROUND

				TOLERANCES UNLESS SPECIFIED		Regal Beloit America, Inc.		DRAWN JRW 9/11/75		
				DEC.	INCHES			CHK		
				.X	±.1			APPD JCW 9/11/75		
08	UPDATED TO REGAL LOGO	SAJ 06/26/15	AJY	.XX	±.01	TITLE EXTERNAL WIRING DIAGRAM TYPE "T" W/O PROTECTOR		SCALE 1=1		
07	UPDATED TO CURRENT STANDARDS	DBT 5/30/97		.XXX	±.005			REF W-T6343-6		
06	REDRAWN ON CAD; ADDED DECAL NUMBER	SAW 1/24/95		.XXXX	±.0005			FMF 6T17FB7		
NO.	REVISION	BY & DATE	CHK	ANG	±1/2"	FINISH		PREV		
THIS DRAWING IN DESIGN AND DETAIL IS OUR PROPERTY AND MUST NOT BE USED EXCEPT IN CONNECTION WITH OUR WORK ALL RIGHTS OF DESIGN AND INVENTION ARE RESERVED THIS IS AN ELECTRONICALLY GENERATED DOCUMENT - DO NOT SCALE THIS PRINT				RFP	5/1/02	CAD FILE 00510201		SIZE	DRAWING NO.	REV.
				DIST BRF-NLV				A	005102-01	08