

PRODUCT INFORMATION PACKET

Model No: 184TTDW4135
Catalog No: E158A
5,1800,DP,184JMV,3/60/230/460
JM



Regal and Marathon are trademarks of Regal Beloit Corporation or one of its affiliated companies.
©2019 Regal Beloit Corporation, All Rights Reserved. MC017097E

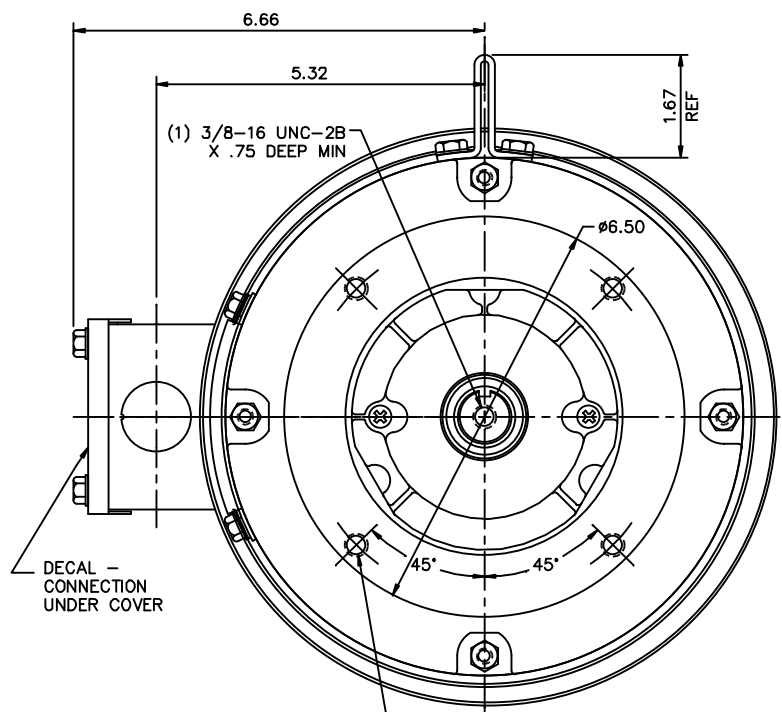
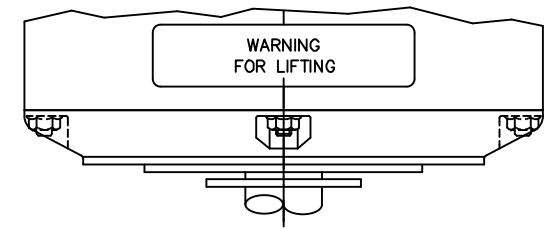
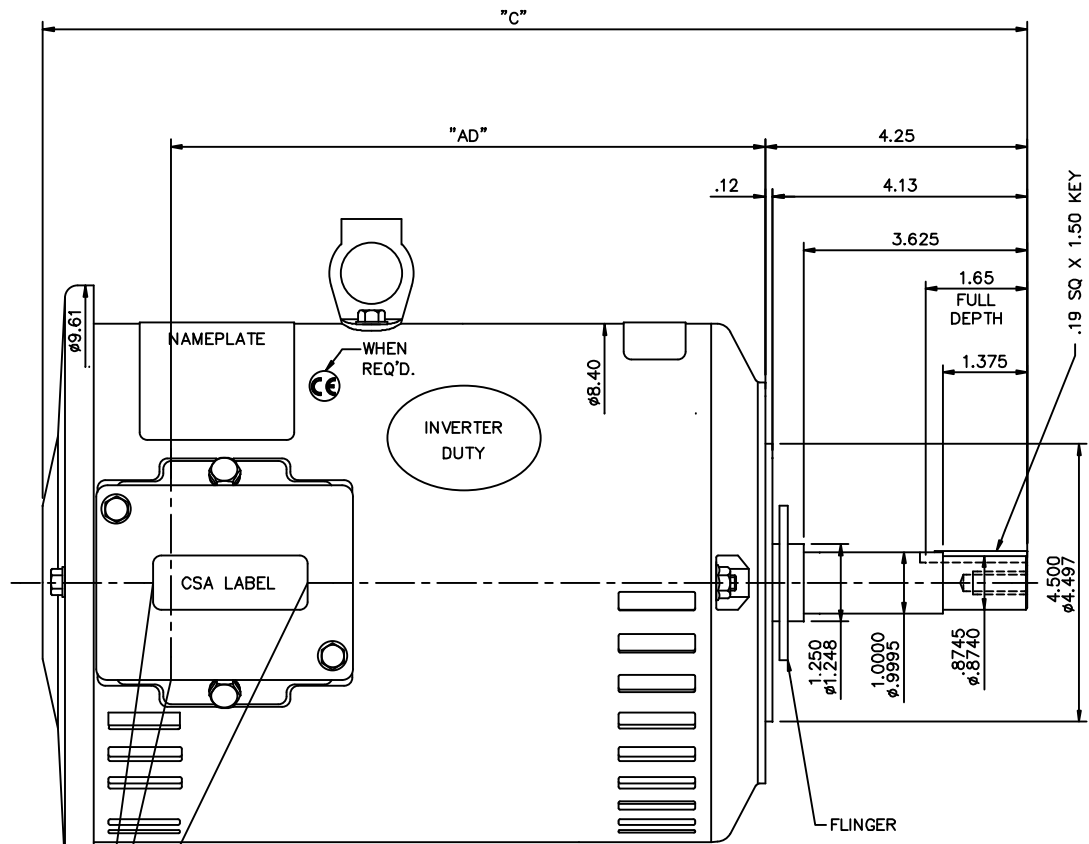


Nameplate Specifications

Output HP	5 HP	Output KW	3.7 kW
Frequency	60 Hz	Voltage	230/460 V
Current	13.2/6.6 A	Speed	1755 RPM
Service Factor	1.15	Phase	3
Efficiency	87.5 %	Duty	CONTINUOUS
Insulation Class	F	Design Code	B
KVA Code	J	Frame	184JMV
Enclosure	DP	Overload Protector	NOT
Ambient Temperature	40 °C	Drive End Bearing Size	6207
Opp Drive End Bearing Size	6205	UL	Recognized
CSA	Y	CE	Y
IP Code	22		

Technical Specifications

Electrical Type	SQ CAGE IND RUN	Starting Method	ACROSS THE LINE
Poles	4	Rotation	REV
Mounting	ROUND	Motor Orientation	SHAFT DOWN
Drive End Bearing	BALL	Opp Drive End Bearing	BALL
Frame Material	ROLLED STEEL	Shaft Type	JM
Overall Length	15.72 in	Frame Length	9 in
Shaft Diameter	.88 in	Shaft Extension	4.28 in
Assembly/Box Mounting	F1 ONLY		
Outline Drawing	035571-900	Connection Diagram	005010.20ME



GASKETS THROUGHOUT

Ø1.13 KNOCKOUTS
(3) REQUIRED

MAXIMUM FACE RUNOUT TO BE .004 T.I.R.
MAXIMUM PILOT ECCENTRICITY TO BE .004 T.I.R.
PERMISSIBLE SHAFT RUNOUT TO BE .004 T.I.R.

DASH NO.	"C"	"AD"
800	14.72	4.13
850	15.22	4.63
900	15.72	5.13
950	16.22	5.63
1000	16.72	6.13
1050	17.22	6.63
1100	17.72	7.13
1150	18.22	7.63

NO.	REVISION	BY & DATE	CHK	ANG	TOLERANCES UNLESS SPECIFIED	
					DEC.	INCHES
01	DASH# 800 ADDED, KEY WAS 1.75, "AG" REMOVED	JD 04/09/2012			.X	±.1
					.XX	±.03
					.XXX	±.005
					.XXXX	±.0005
					FIN	±1/2'

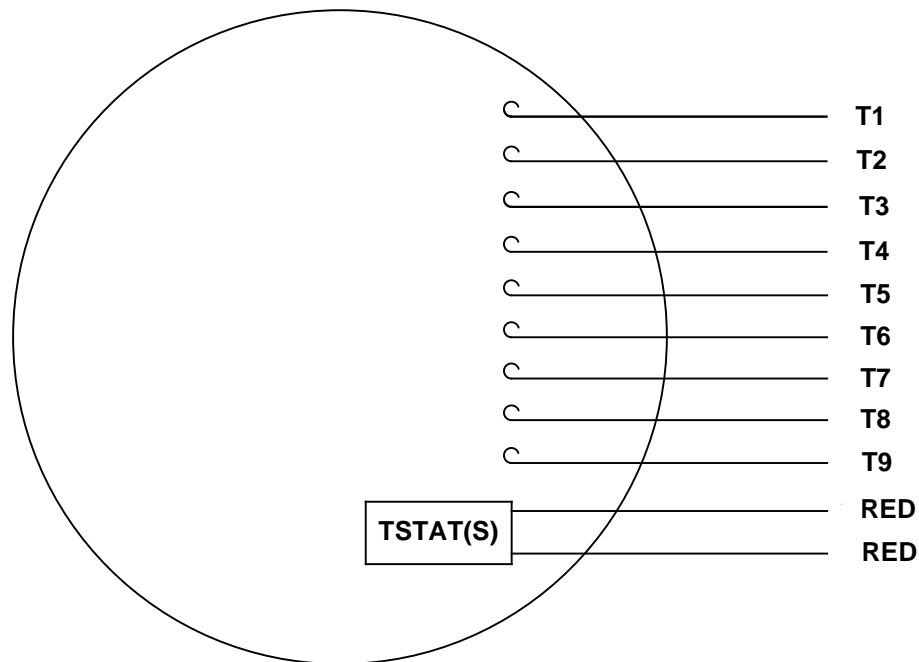
THIS DRAWING IN DESIGN AND DETAIL IS OUR PROPERTY AND MUST NOT BE USED EXCEPT IN CONNECTION WITH OUR WORK ALL RIGHTS OF DESIGN AND INVENTION ARE RESERVED THIS IS AN ELECTRONICALLY GENERATED DOCUMENT - DO NOT SCALE THIS PRINT



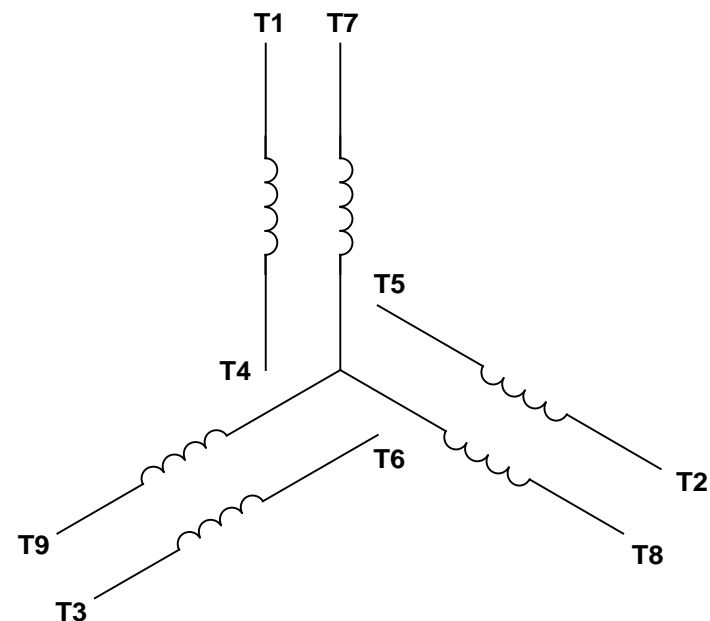
TITLE OUTLINE- 180JM FRAME
DRIP PROOF- "C" FACE- JM PUMP

DRAWN	VV 20/09/07
CHK	
APPD	YS 20/09/07
SCALE	1-2
REF	035486
FMF	182TDDW4135
PREV	
CAD FILE	035571
SIZE	B
DRAWING NO.	035571
REV.	01

VIEW FROM OUTSIDE OF MOTOR AT SWITCH END.



LINE LEADS



VOLTAGE	L1	L2	L3	JOIN & INSULATE
HIGH	T1	T2	T3	(T4, T7) (T5, T8) (T6, T9)
LOW	T1, T7	T2, T8	T3, T9	T4, T5, T6

RBC PROPRIETARY AND CONFIDENTIAL INFORMATION
 This document is the property of REGAL BELOIT CORPORATION ("RBC") including its subsidiaries and divisions and contains proprietary information of RBC. This document is loaned on the express condition that neither it nor the information contained therein shall be disclosed to others without the express written consent of RBC, and that the information shall be used by the recipient only as approved expressly by RBC. This document shall be returned to RBC upon its request. This document may be subject to certain restrictions under U.S. export control laws and regulations.

		TOLERANCES UNLESS SPECIFIED				DRAWN RDW 04/13/04	
		DEC	INCHES			CHK	
		.X	±.1			APPR	
		.XX	±.01			SCALE 1:1	
			.XXX	±.005	TITLE EXTERNAL WIRING DIAGRAM		REF
			.XXX	±.0005	3 PHASE		
--	REDRAWN IN SOLIDWORKS	VJB 02/08/11			MAT'L DECAL - 004014 (TSTAT) - 080582	FMF 129027	
NO	REVISION	BY & DATE	CHK	ANG ±1/2°	FINISH	PAGE OF	
THIRD ANGLE PROJECTION			RFP	PREV	SIZE	DRAWING NO	REV
			NETWORK FILE NAME 00501020ME		A	005010-20ME	--