

# PRODUCT INFORMATION PACKET

Model No: 184TTDR6031  
Catalog No: E931A  
5,1800,DP,184T,3/60/208-230/460  
Open Drip Proof (ODP)



Regal and Marathon are trademarks of Regal Beloit Corporation or one of its affiliated companies.  
©2019 Regal Beloit Corporation, All Rights Reserved. MC017097E



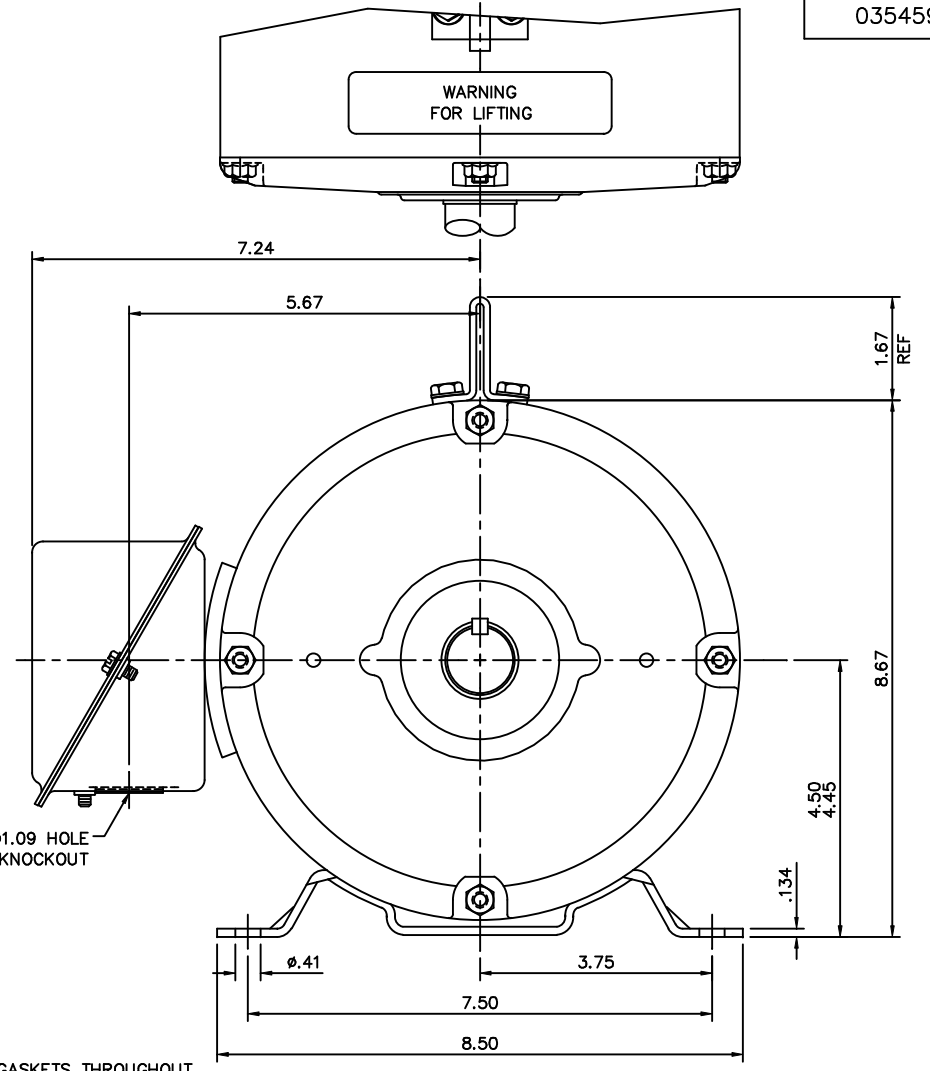
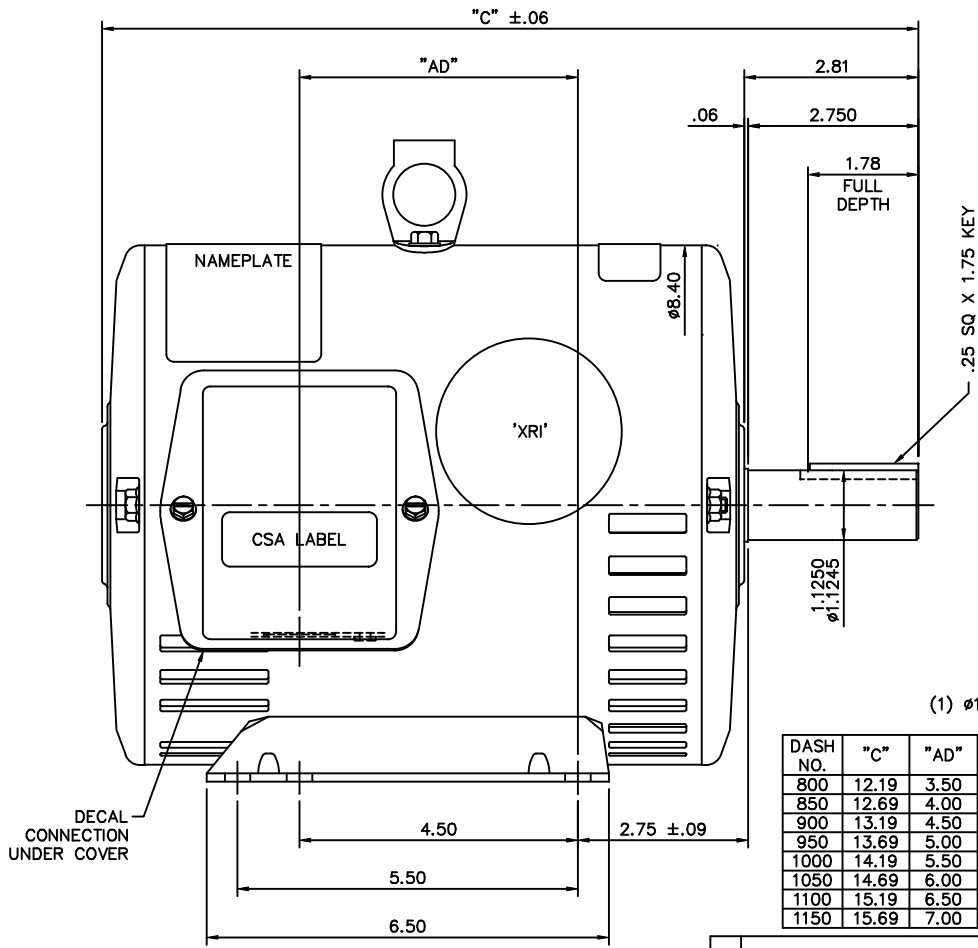
### Nameplate Specifications

Output HP	<b>5 HP</b>	Output KW	<b>3.70 kW</b>
Frequency	<b>60 Hz</b>	Voltage	<b>208-230/460 V</b>
Current	<b>13.6-12.8/6.4 A</b>	Speed	<b>1760 RPM</b>
Service Factor	<b>1.25</b>	Phase	<b>3</b>
Efficiency	<b>89.5 %</b>	Duty	<b>CONTINUOUS</b>
Insulation Class	<b>F</b>	Design Code	<b>B</b>
KVA Code	<b>J</b>	Frame	<b>184T</b>
Enclosure	<b>DP</b>	Overload Protector	<b>AUTOMATIC</b>
Ambient Temperature	<b>40 °C</b>	Drive End Bearing Size	<b>6206</b>
Opp Drive End Bearing Size	<b>6205</b>	UL	<b>Recognized</b>
CSA	<b>Y</b>	CE	<b>Y</b>
IP Code	<b>22</b>		

### Technical Specifications

Electrical Type	<b>SQ CAGE IND RUN</b>	Starting Method	<b>ACROSS THE LINE</b>
Poles	<b>4</b>	Rotation	<b>REV</b>
Mounting	<b>RIGID</b>	Motor Orientation	<b>HORIZONTAL</b>
Drive End Bearing	<b>BALL</b>	Opp Drive End Bearing	<b>BALL</b>
Frame Material	<b>ROLLED STEEL</b>	Shaft Type	<b>T</b>
Overall Length	<b>15.19 in</b>	Frame Length	<b>11 in</b>
Shaft Diameter	<b>1.13 in</b>	Shaft Extension	<b>2.75 in</b>
Assembly/Box Mounting	<b>F1 ONLY</b>		
Outline Drawing	<b>035459-1100</b>	Connection Diagram	<b>005010-20ME</b>

This is an uncontrolled document once printed or downloaded and is subject to change without notice. Date Created: 11/12/2019

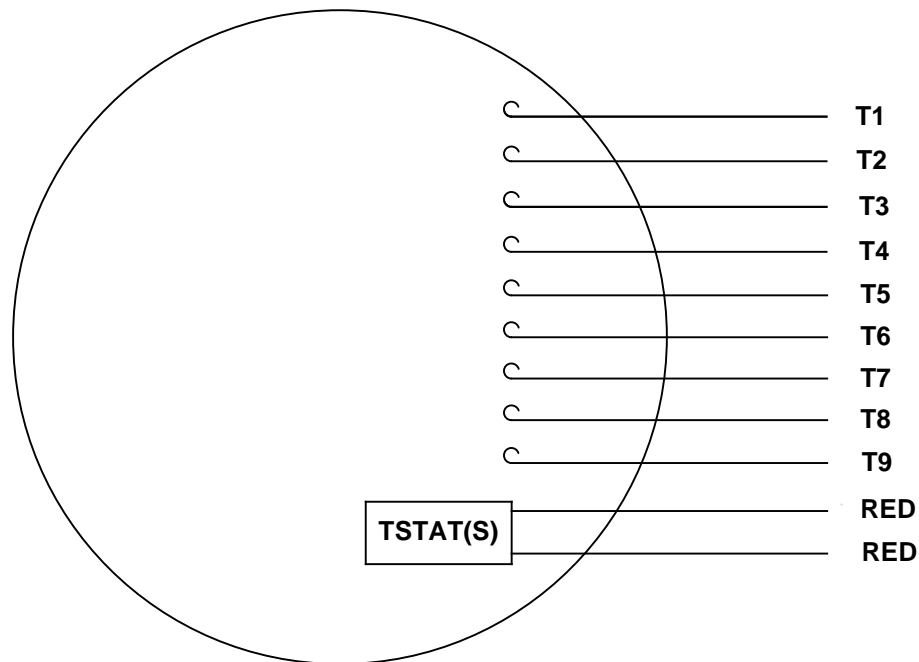


DASH NO.	"C"	"AD"
800	12.19	3.50
850	12.69	4.00
900	13.19	4.50
950	13.69	5.00
1000	14.19	5.50
1050	14.69	6.00
1100	15.19	6.50
1150	15.69	7.00

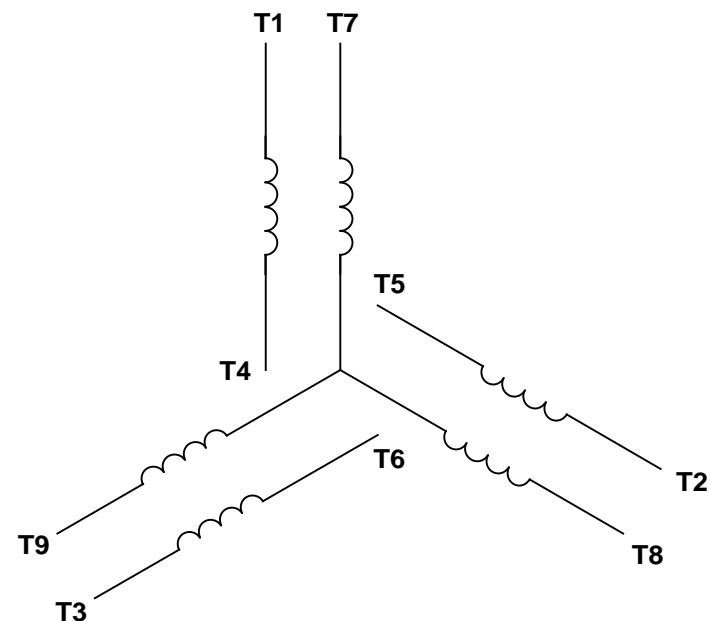
- (1) ø1.09 HOLE
- (1) ø1.34 KNOCKOUT

		TOLERANCES UNLESS SPECIFIED				DRAWN LST 2/4/03 CHK APPD RW 2/7/03 SCALE 1=2 REF 035433 FMF 139038 PREV
		DEC.	INCHES			TITLE
		.X	±.1			
		.XX	±.03			
		.XXX	±.005			
01	ADDED WARNING & EFF. DECALS (139038)	LST	2/7/03			
NO.	REVISION	BY & DATE	CHK	ANG	±1/2"	FINISH
THIS DRAWING IN DESIGN AND DETAIL IS OUR PROPERTY AND MUST NOT BE USED EXCEPT IN CONNECTION WITH OUR WORK ALL RIGHTS OF DESIGN AND INVENTION ARE RESERVED THIS IS AN ELECTRONICALLY GENERATED DOCUMENT - DO NOT SCALE THIS PRINT				RFP	CAD FILE	035459
				DIST	SIZE	DRAWING NO. 035459
					B	01

VIEW FROM OUTSIDE OF MOTOR AT SWITCH END.



LINE LEADS



VOLTAGE	L1	L2	L3	JOIN & INSULATE
HIGH	T1	T2	T3	(T4, T7) (T5, T8) (T6, T9)
LOW	T1, T7	T2, T8	T3, T9	T4, T5, T6

RBC PROPRIETARY AND CONFIDENTIAL INFORMATION  
 This document is the property of REGAL BELOIT CORPORATION ("RBC") including its subsidiaries and divisions and contains proprietary information of RBC. This document is loaned on the express condition that neither it nor the information contained therein shall be disclosed to others without the express written consent of RBC, and that the information shall be used by the recipient only as approved expressly by RBC. This document shall be returned to RBC upon its request. This document may be subject to certain restrictions under U.S. export control laws and regulations.

				TOLERANCES UNLESS SPECIFIED				DRAWN RDW 04/13/04		
				DEC	INCHES			CHK		
				.X	±.1			APPR		
				.XX	±.01			SCALE 1:1		
				.XXX	±.005	TITLE EXTERNAL WIRING DIAGRAM 3 PHASE		REF		
--	REDRAWN IN SOLIDWORKS	VJB 02/08/11		.XXXX	±.0005	MAT'L DECAL - 004014 (TSTAT) - 080582		FMF 129027		
NO	REVISION	BY & DATE	CHK	ANG	±1/2°	FINISH		PAGE OF		
THIRD ANGLE PROJECTION			RFP		PREV		SIZE	DRAWING NO		REV
			NETWORK FILE NAME		00501020ME		A	005010-20ME		--